

SCX1200-3
Stage III A / Tier 3

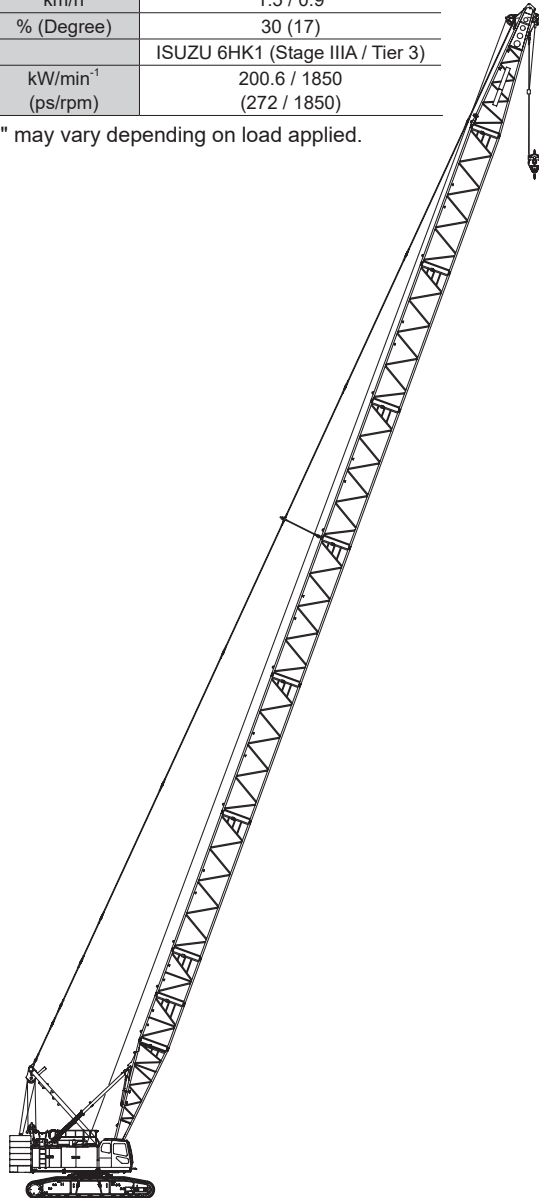
SCX 1200-3

HYDRAULIC CRAWLER CRANE

Variation of The Attachment

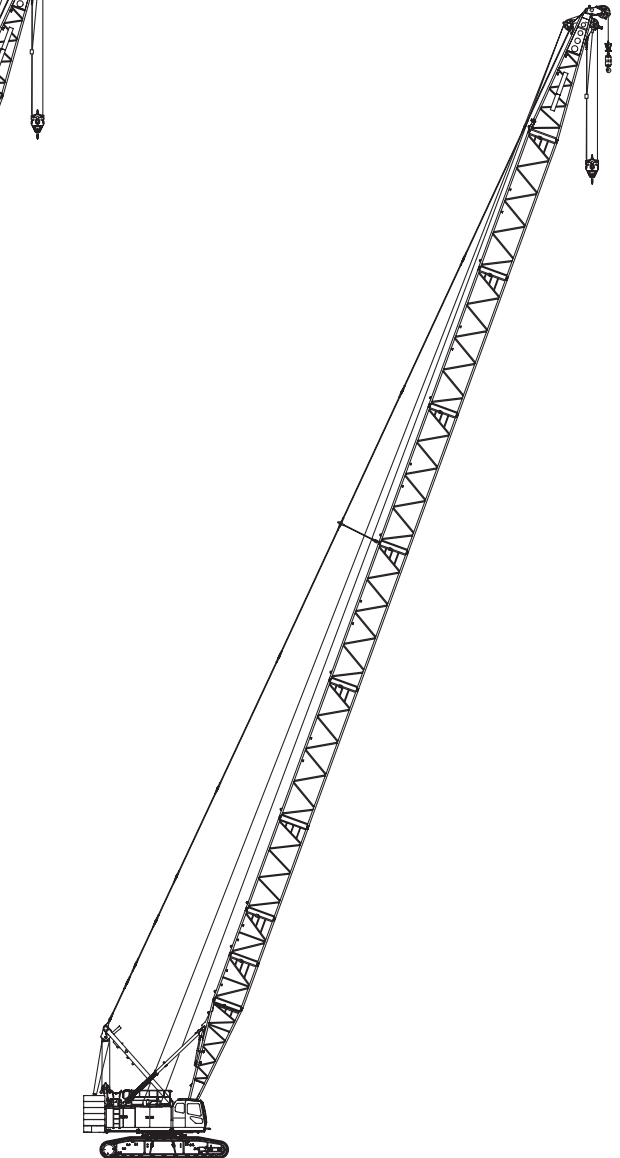
Line Speed *	Front / Rear Winch (Rated with 12 t load)	m/min	110 (45)
	Third Winch (Rated with 12 t load)		95 (30)
	Boom Hoist Winch		44
	Tower Jib Hoist Winch		55
Swing Speed	min ⁻¹ (rpm)		1.7
Travel Speed High / Low *	km/h		1.5 / 0.9
Gradeability	% (Degree)		30 (17)
Engine Model			ISUZU 6HK1 (Stage IIIA / Tier 3)
Engine Rated Output Power	kW/min ⁻¹ (ps/rpm)		200.6 / 1850 (272 / 1850)

Note : Speeds marked with "*" may vary depending on load applied.



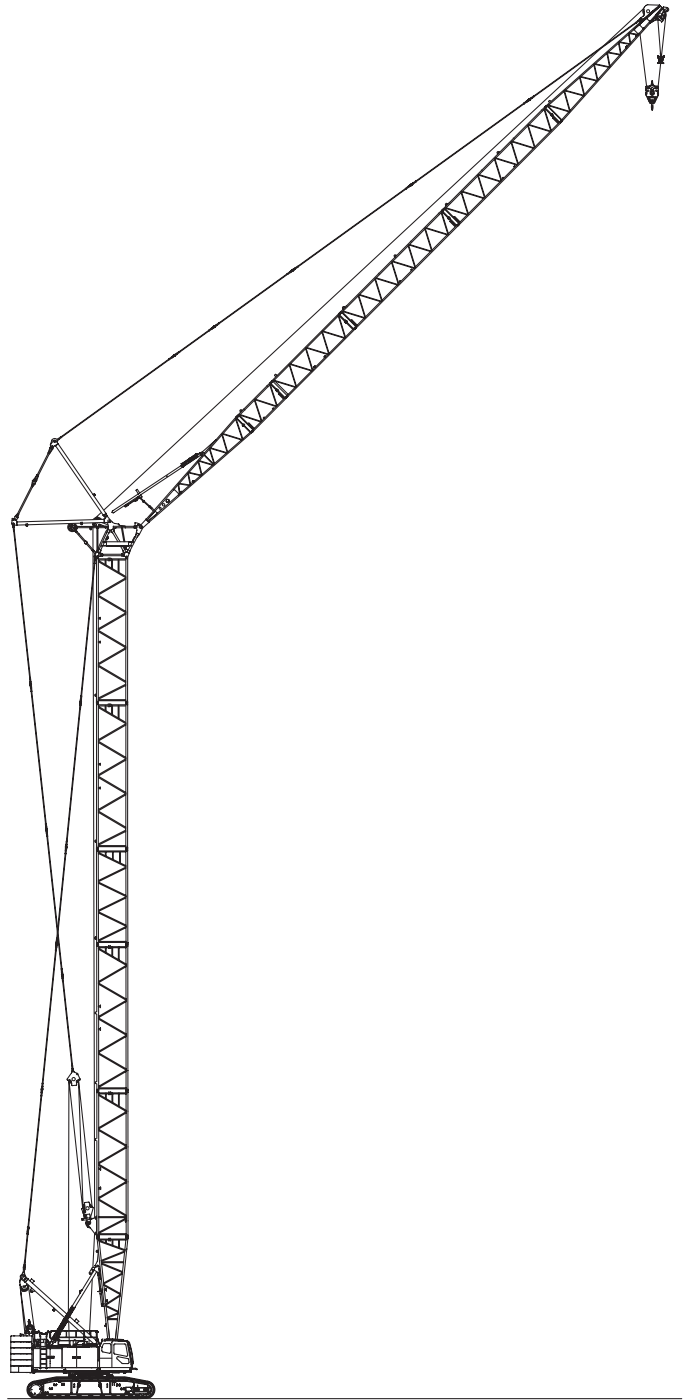
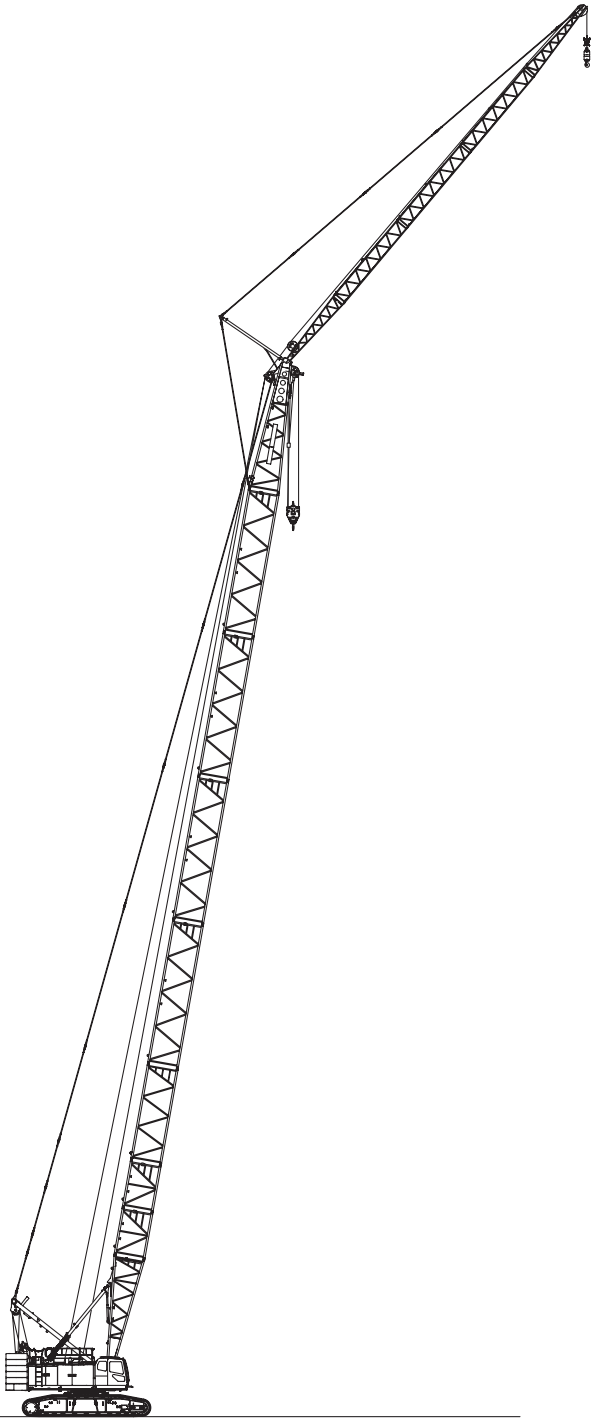
Crane Specification (Boom Longest Length)

Boom Length	m	15 to 75
Ground Contact Pressure	kPa (kgf/cm ²)	96 (0.98) (Boom longest length with 35 t hook)
Overall Operating Weight	t	Approximately 130 (Boom longest length with 35 t hook)



Crane Specification (Boom Longest Length with Aux. Sheave)

Boom Length	m	15 to 72
Ground Contact Pressure	kPa (kgf/cm ²)	97 (0.99) (Boom longest length + 35 t aux. sheave + 12 t hook attached)
Overall Operating Weight	t	Approximately 131 (Boom longest length + 35 t aux. sheave + 12 t hook attached)



**Crane Specification
(Boom Longest Length with Crane Jib)**

Boom Length	m	24 to 63
Crane Jib Length	m	10 to 28
Boom + Crane Jib Longest Length	m	63 + 28
Ground Contact Pressure	kPa (kgf/cm ²)	97 (0.99) (Boom + crane jib longest length 35 t + 12 t hook attached)
Overall Operating Weight	t	Approximately 131 (Boom + crane jib longest length 35 t + 12 t hook attached)

**Tower Specification
(Tower + Tower Jib Longest Length)**

Tower Length	m	30.35 to 51.35
Tower Jib Length	m	24 to 45
Tower + Tower Jib Longest Length	m	51.35 + 45
Ground Contact Pressure	kPa (kgf/cm ²)	102 (1.04) (Tower + tower jib longest length with 35 t hook attached)
Overall Operating Weight	t	Approximately 137 (Tower + tower jib longest length with 35 t hook attached)

VARIATION

Variation of The Attachment	2
------------------------------------	----------

SPECIFICATIONS

Specifications	6
Crane Specifications	7
Dimensions and Specifications	7
Boom and Crane Jib Configurations	8
Combination of Boom and Crane Jib (Offset Angle 10° and 30°)	10
Working Ranges	11
■ Main Boom (With Crane Boom Extensions).....	11
■ Aux. Sheave (With Crane Boom Extensions).....	12
■ Crane Jib (With Crane Boom Extensions).....	13
■ Main Boom (With Tower Boom Extensions).....	14
■ Aux. Sheave (With Tower Boom Extensions).....	15
■ Crane Jib (With Tower Boom Extensions).....	16
Gross Rated Load Table	17
■ Main Boom (With Crane Boom Extensions).....	17
■ Aux. Sheave (With Crane Boom Extensions).....	18
■ Main Boom with Aux. Sheave (With Crane Boom Extensions)	19
■ Crane Jib (With Crane Boom Extensions).....	20
■ Main Boom with Crane Jib (With Crane Boom Extensions).....	27
■ Main Boom (Using Third Winch) (With Crane Boom Extensions).....	34
■ Main Boom with Aux. Sheave (Using Third Winch) (With Crane Boom Extensions)	35
■ Main Boom (With Tower Boom Extensions).....	36
■ Aux. Sheave (With Tower Boom Extensions).....	37
■ Main Boom with Aux. Sheave (With Tower Boom Extensions)	38
■ Crane Jib (With Tower Boom Extensions).....	39
■ Main Boom with Crane Jib (With Tower Boom Extensions).....	46
■ Main Boom (Using Third Winch) (With Tower Boom Extensions)	53
■ Main Boom with Aux. Sheave (Using Third Winch) (With Tower Boom Extensions).....	54

Tower Specifications	55
<hr/>	
Dimensions and Specifications	55
Tower and Tower Jib Configurations	56
Working Ranges	58
Gross Rated Load Table	59
■ 30.35 m Tower	59
■ 33.35 m Tower	59
■ 36.35 m Tower	60
■ 39.35 m Tower	61
■ 42.35 m Tower	62
■ 45.35 m Tower	63
■ 48.35 m Tower	64
■ 51.35 m Tower	66
Clamshell Specifications	68
<hr/>	
Dimensions and Specifications	68
■ Working Ranges	68
■ Specifications	68
■ Clamshell Bucket.....	68
■ Gross Rated Load Table.....	68

TECHNICAL DATA

Weights and Dimensions of Disassembled Units	69
<hr/>	
Weights and Dimensions List	69
Equipment List	75
<hr/>	
Standard and Optional Equipment	75

Specifications



Engine

Model	ISUZU 6HK1
Type	4-cycle, Water-cooled, Direct injection, Turbo-charged, Diesel engine
Displacement	7.79 liters
Rated Output	200.6 kW / 1,850 min ⁻¹ (272 ps / 1,850 rpm)
Fuel Tank Capacity	460 liters
Notes	Engine meets Tier 3 / Stage IIIA of engine exhaust gas emission regulations . Engine rated horsepower is based on international rating formula that includes engine alternator and without fan.



Control

Control System	Main actuators are actuated by main hydraulic system controlled with pilot hydraulic system. Safety devices are securely operated by combined various electronic control with hydraulic system. Working speed can be precisely controlled according to control lever stroke and control dials depending on work.
Control Levers	Designed and positioned based on ergonomics. Armchair lever type is standard. Cross operation lever type and front lever type are available as option.
Display Panel Design	8 inches size. Located to check work state easily without disturbing the view of the operator.



Hydraulic System

Hydraulic Oil Tank Capacity	320 liters		
Hydraulic Pump Capacity	Max.	31.4 MPa	
	P1	266 liters / min	for Front, Rear , boom hoist winch and travel
	P2	266 liters / min	for Front, Rear , third winch and travel
	P3	152 liters / min	for Swing, Jack and Sideframe connect
	P4	38 liters / min	Pilot control, Brake cooling, Reeving tagline, etc
	P5	38 liters / min	
	P6	38liters / min	
P7	30 liters / min		



Winch

Front and Rear Winch			
Winch	Front	Rear	
Rope Diameter	26 mm	26 mm	
Rope Length	Standard	285 m	160 m for Aux. sheave
	Winding Capacity	-	195 m for Crane jib
Line Pull	Rated	117 kN	117 kN
Standard Equipment	High-speed winching is possible by ECO winch mode with low engine speed under light loads.		
Optional Equipment	Free fall winch with brake controlled by pedal operation.		
Boom Hoist Winch			
Rope Diameter	22.4 mm		
Rope Length	Incorporated	195 m	
Hydraulic motor with multi-disc brakes.			

Third Winch(Optional)

Rope Diameter	26 mm	
Rope Length	Standard	220 m
	Winding Capacity	220 m
Line Pull	Rated	117 kN
Free fall winch with brake controled by pedal operation.		



Swing System

Consisted of 2 hydraulic motors with reduction gear and multi-disc brakes and a swing bearing which has inner tooth. Optional swing brake pedal enables operator to control swing precisely.



Mast

Mast is box structure. Easy assemble for front attachment.



Counter Weight

Upper Weight	Total Weight	49.6 ton
	9.1 ton Base Weight	1 piece
	8.1 ton Insert Weight	5 pieces



Carbody Frame

Welded steel construction with jack up device and crawler sideframe connect cylinders.

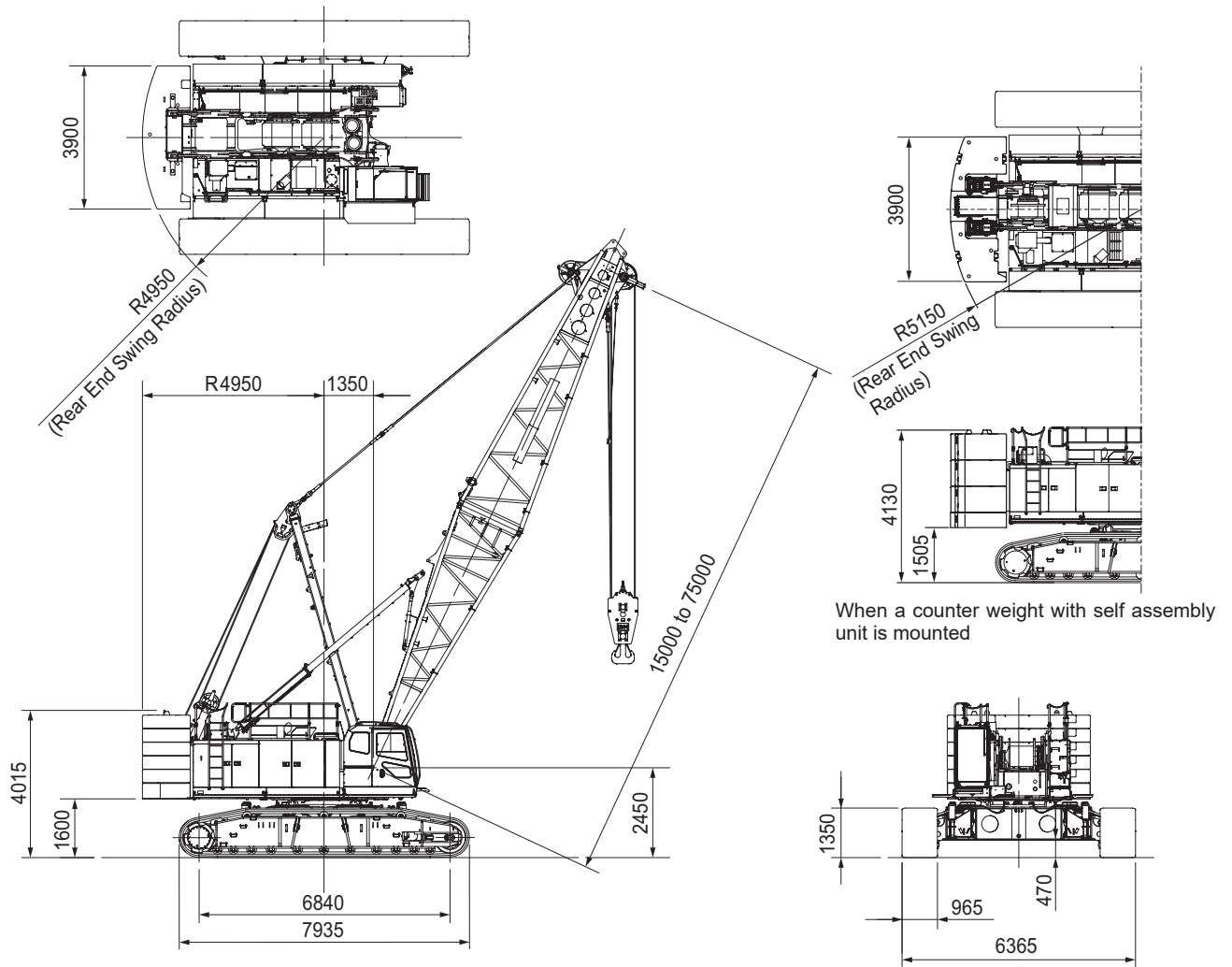


Crawler Sideframe

Frame	Welded steel box construction. Hook on and joint pin design for crawler sideframe connection to carbody frame.	
Crawler Shoe	Cast iron 965mm width flat shoe each side.	
Upper Roller	5 pieces each side.	
	Double flange type : 3 pieces Single flange type : 2 pieces	
Lower Roller	11 pieces each side. Forging heat treated steel with double flange type. 2 plane bearing with floating seal for lifetime lubrication.	
Travel Device	1 peace each side.	
	Hydraulic travel device (Hydrayulic motor and reducer)	
	Travel speed (Gradability : 30%)	High : 1.5 km/h Low : 0.9 km/h

Crane Specifications

Dimensions and Specifications



Crane Specifications

Max. Lifting Load × Working Radius	t × m	120×5.0
Basic Boom Length	m	15
Max. Boom Length	m	75
Max. Crane Jib Length	m	10 to 28
Max. Boom + Jib Length	m	63 + 28
Ground Contact Pressure	kPa (kgf/cm ²)	91 (0.92) (w / Basic Boom, 120 t Hook)
Overall Operating Weight	t	Approximately 122 (w / Basic Boom, 120 t Hook)

Hook Weight

120 t	1,640 kg
80 t	1,350 kg
35 t	900 kg
12 t	510 kg

NOTE : Data is expressed in SI units followed by conventional units in ().

Front/Rear Third Winch Rope No. of Falls and Lifting Load

Hook Capacity (t)	Maximum Rated Load (t)									
	10 Falls	9 Falls	8 Falls	7 Falls	6 Falls	5 Falls	4 Falls	3 Falls	2 Falls	1 Fall
120	120	108	96	84	72	60	48	36	24	-
80	-	-	-	80	72	60	48	36	24	-
35	-	-	-	-	-	-	-	35	24	-
12	-	-	-	-	-	-	-	-	-	12

Boom and Crane Jib Configurations

With Crane Boom Extensions

Boom (1/2)	
Boom Length (m)	Boom Configurations
15	
18	
21	
24	
27	
30	
33	
36	
39	
42	
45	

Boom (2/2)	
Boom Length (m)	Boom Configurations
48	
51	
54	
57	
60	
63	
66	
69	
72	
75	

▽ indicates the midpoint pendant rope connection position.

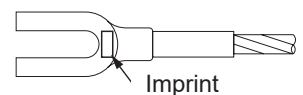
Aux. Sheave Installable Boom Length																						
Boom Length (m)	15	18	21	24	27	30	33	36	39	42	45	48	51	54	57	60	63	66	69	72	75	
With Aux. Sheave	○	○	○	○	○	○	○	○	○	○	○	○	○	○	○	○	○	○	○	○	○	×

(○: Attachable ×: Not Attachable)

Check the pendant rope with referring to the imprints on the rope end.

Dimensions Not Shown In The Figure		
Symbols	Boom Length (m)	Note
3	3	
6	6	
7.5	7.5	
9	9	

Pendant Rope			
Symbols	Length (m)	Rope Diameter (mm)	Imprint
1.2	1.2	40	□ · △ · 40 · 1.2 · C
2.6	2.55	40	□ · △ · 40 · 2.55 · C
3	3	40	□ · △ · 40 · 3 · C
6	6	40	□ · △ · 40 · 6 · C
6.9	6.9	40	□ · △ · 40 · 6.9 · C
9	9	40	□ · △ · 40 · 9 · C



Imprint

With Tower Boom Extensions

Boom (1/2)	
Boom Length (m)	Boom Configurations
15	
18	
21	
24	
27	
30	
33	
36	
39	
42	
45	

Boom (2/2)	
Boom Length (m)	Boom Configurations
48	
51	
54	
57	
60	
63	
66	
69	
72	
75	

▽ indicates the midpoint pendant rope connection position.

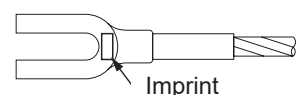
Aux. Sheave Installable Boom Length																						
Boom Length (m)	15	18	21	24	27	30	33	36	39	42	45	48	51	54	57	60	63	66	69	72	75	
With Aux. Sheave	○	○	○	○	○	○	○	○	○	○	○	○	○	○	○	○	○	○	○	○	○	×

(○ : Attachable × : Not Attachable)

Dimensions Not Shown In The Figure		
Symbols	Boom Length (m)	Note
3	3	
6	6	
7.5	7.5	
9	9	

Check the pendant rope with referring to the imprints on the rope end.

Pendant Rope			
Symbols	Length (m)	Rope Diameter (mm)	Imprint
1.2	1.2	40	□ · △ · 40 · 1.2 · C
2.6	2.55	40	□ · △ · 40 · 2.55 · C
3	3	40	□ · △ · 40 · 3 · C
6	6	40	□ · △ · 40 · 6 · C
6.9	6.9	40	□ · △ · 40 · 6.9 · C
9	9	40	□ · △ · 40 · 9 · C



Combination of Boom and Crane Jib (Offset Angle 10° and 30°)

Combination of Boom and Crane Jib (Offset Angle 10° and 30°)																						
Boom Length (m)		15	18	21	24	27	30	33	36	39	42	45	48	51	54	57	60	63	66	69	72	75
Jib Length (m)	10	×	×	×	○	○	○	○	○	○	○	○	○	○	○	○	○	○	×	×	×	×
	16	×	×	×	○	○	○	○	○	○	○	○	○	○	○	○	○	○	×	×	×	×
	22	×	×	×	○	○	○	○	○	○	○	○	○	○	○	○	○	○	×	×	×	×
	28	×	×	×	○	○	○	○	○	○	○	○	○	○	○	○	○	○	×	×	×	×

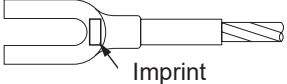
(○: Attachable ×: Not Attachable)

Crane Jib (Offset Angle 10° and 30°)		
Crane Jib Length (m)	Offset Angle	Crane Jib Configurations
10	10°	
	30°	
16	10°	
	30°	
22	10°	
	30°	
28	10°	
	30°	

Dimensions Not Shown In The Figure		
Symbols	Jib Length (m)	Note
5	5	
6	6	

Check the pendant rope with referring to the imprints on the rope end.

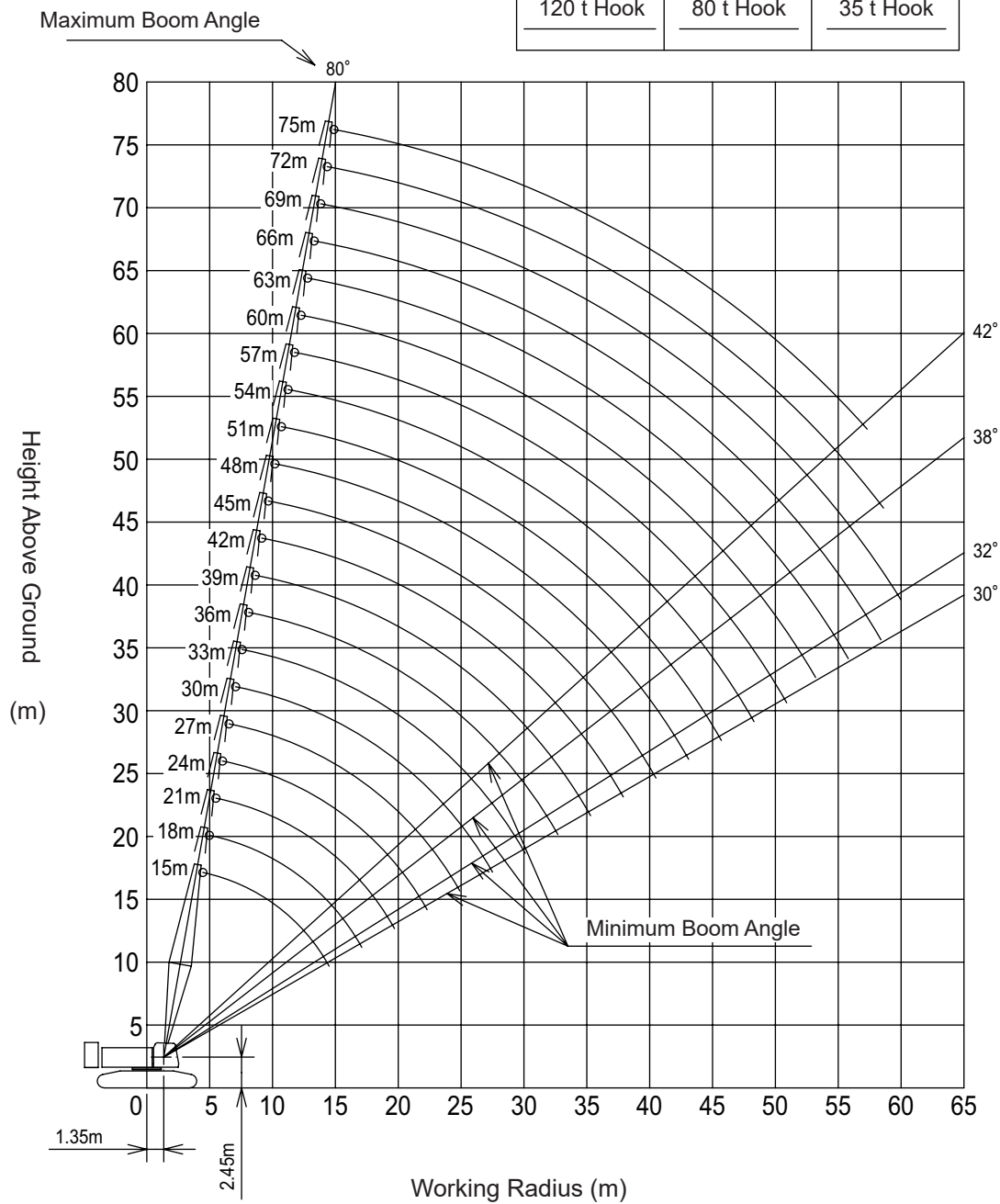
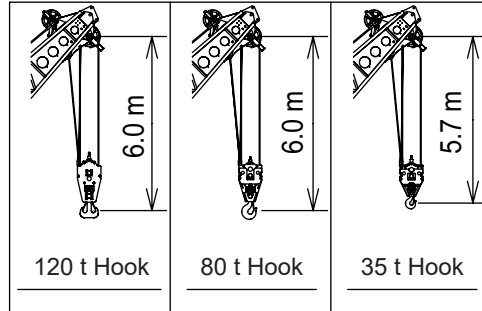
Jib Pendant Rope			
Symbols	Length (m)	Rope Diameter (mm)	Imprint
1.4	1.4	24	□ · △ · 24 · 1.4 · S
5.7	5.7	24	□ · △ · 24 · 5.7 · S
9.6	9.6	24	□ · △ · 24 · 9.6 · S
10	10	26	□ · △ · 26 · 10 · S



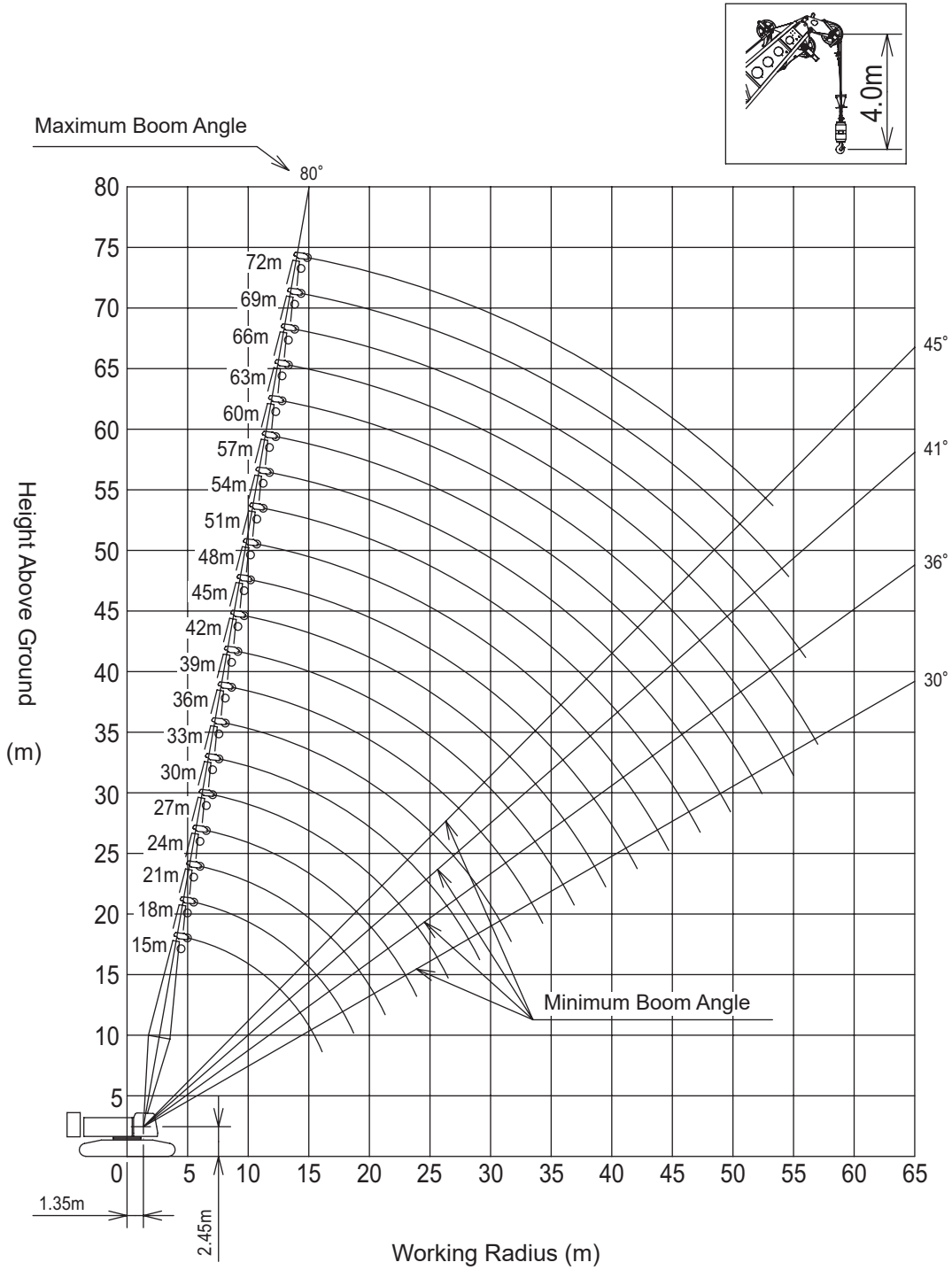
Imprint

Working Ranges

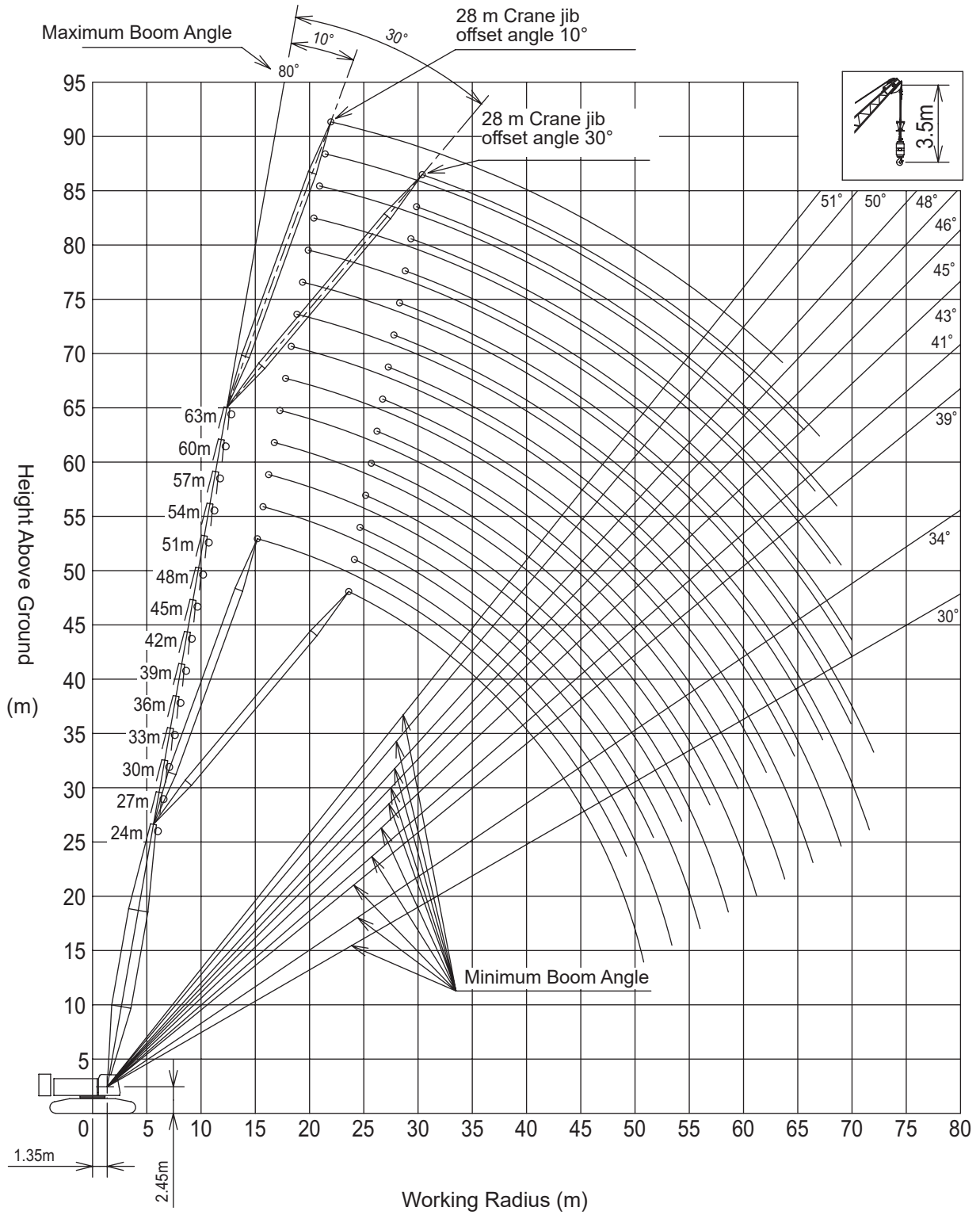
■ Main Boom (With Crane Boom Extensions)



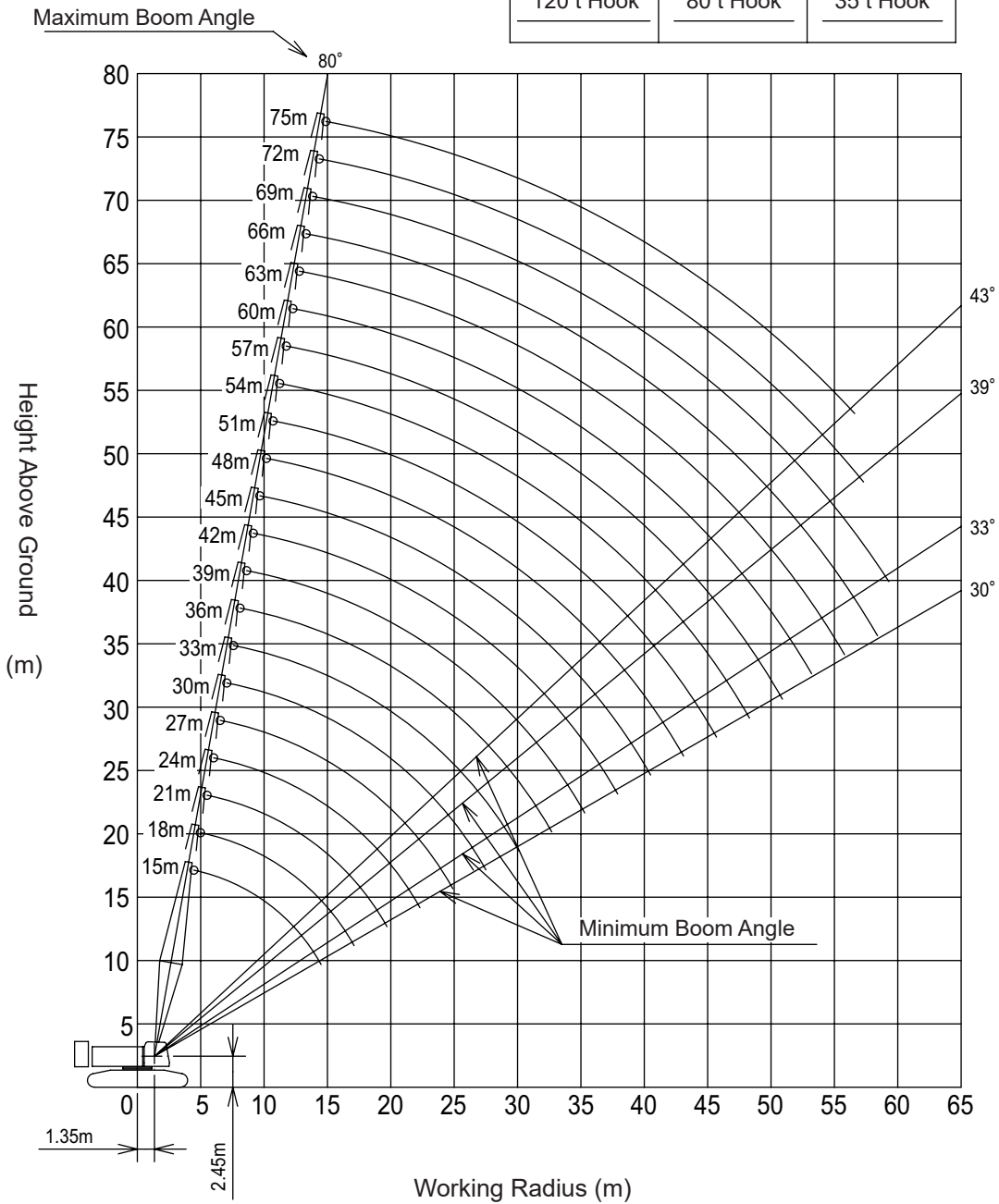
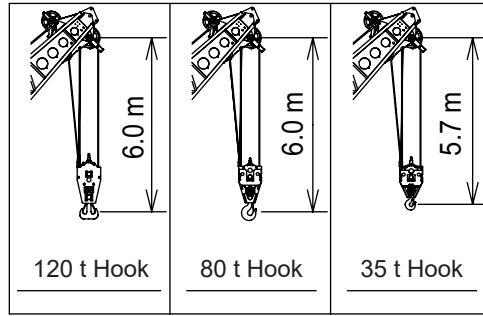
■ Aux. Sheave (With Crane Boom Extensions)



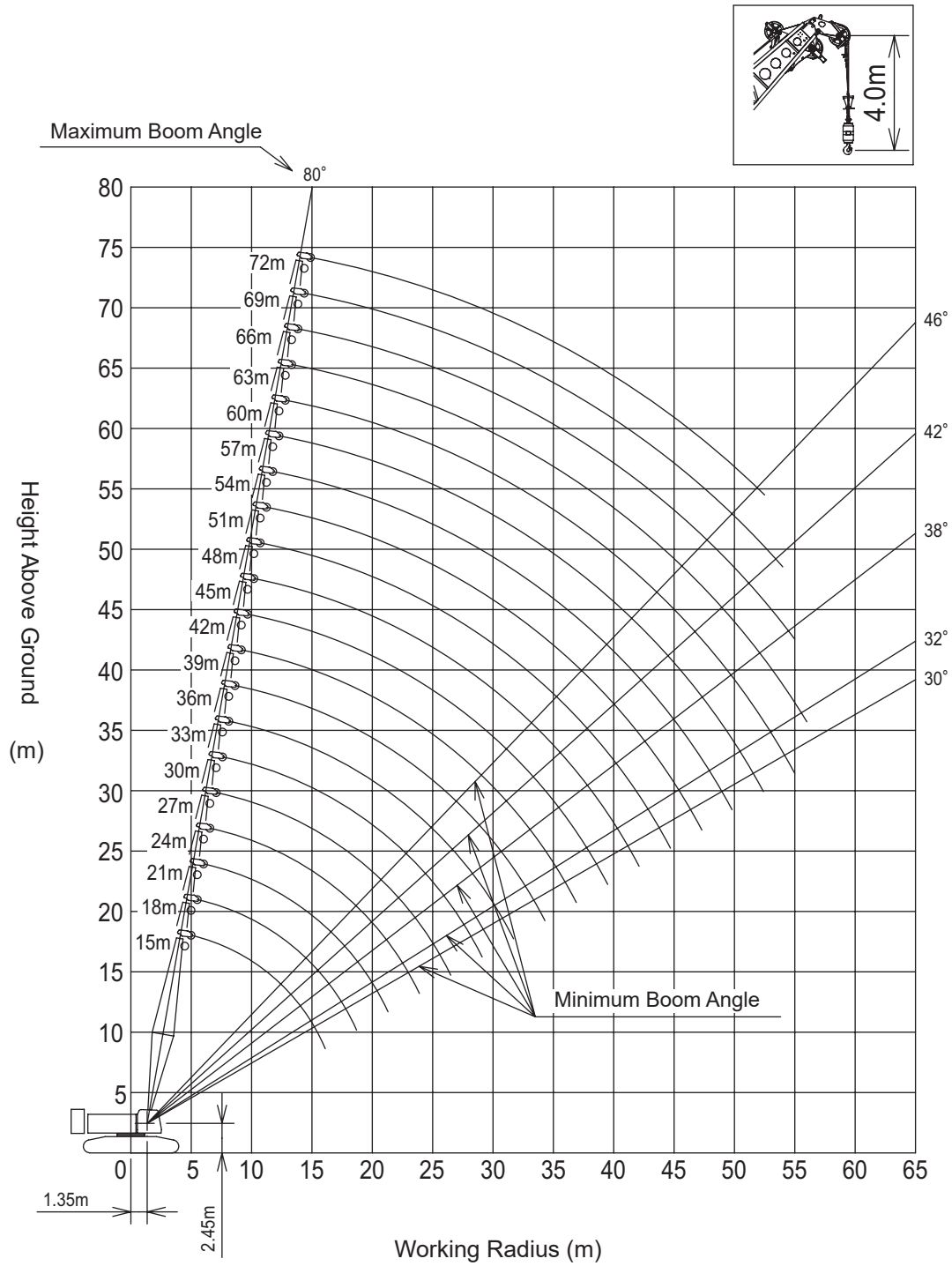
■ Crane Jib (With Crane Boom Extensions)



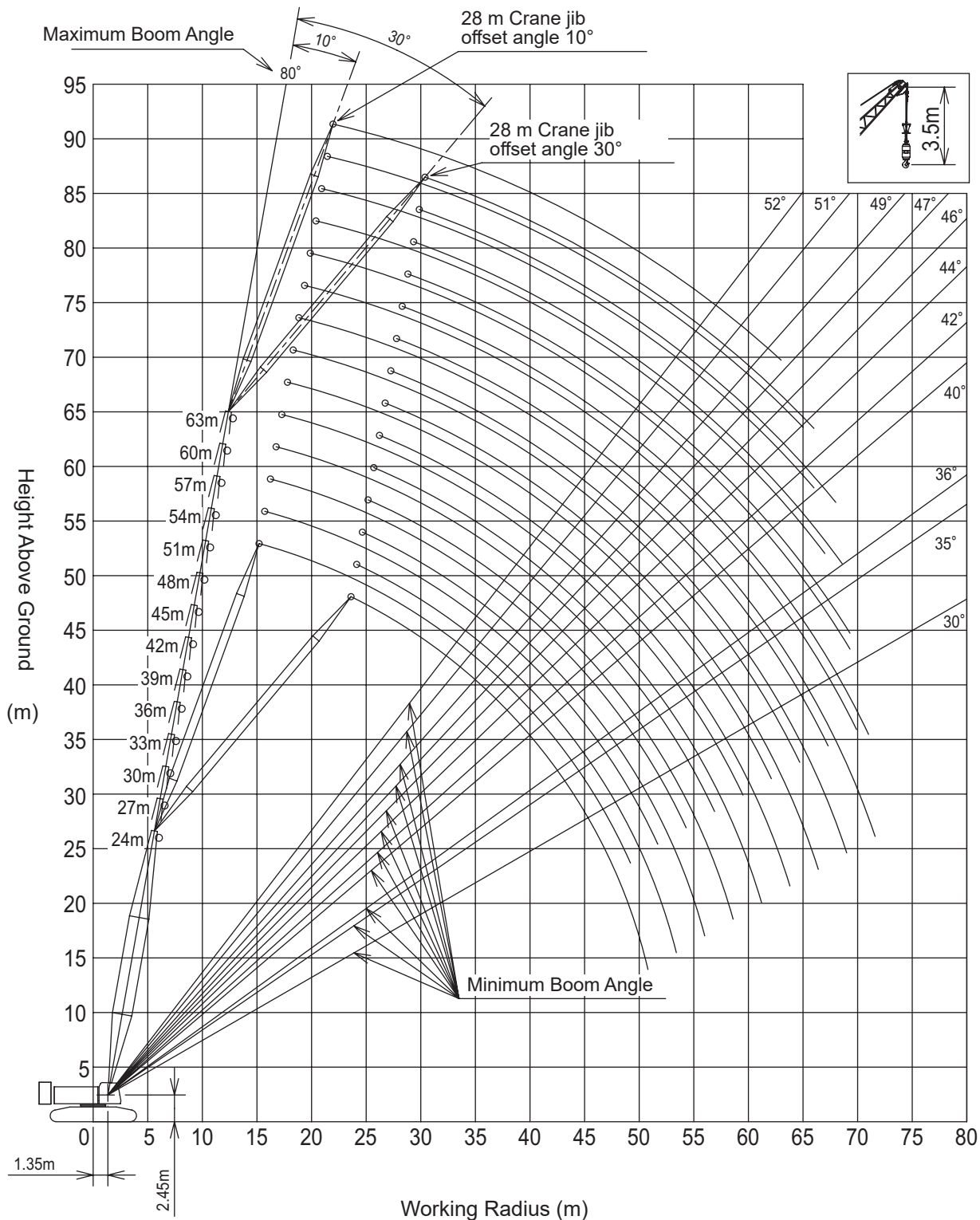
■ Main Boom (With Tower Boom Extensions)



■ Aux. Sheave (With Tower Boom Extensions)



■ Crane Jib (With Tower Boom Extensions)



Gross Rated Load Table

Main Boom (With Crane Boom Extensions)



Working Radius (m)	Boom length (m)											Working Radius (m)
	15	18	21	24	27	30	33	36	39	42	45	
4.6	120.0											4.6
5.0	120.0	115.8 / 5.2										5.0
5.5	109.9	109.7	105.9 / 5.7									5.5
6.0	101.1	100.9	100.7	96.0 / 6.3	84.0 / 6.8							6.0
7.0	87.0	86.8	86.7	86.6	84.0	72.0 / 7.4	72.0 / 7.9					7.0
8.0	76.3	76.1	75.9	75.9	75.7	72.0	72.0	60.0 / 8.5				8.0
9.0	64.8	64.8	64.8	64.8	64.8	64.8	63.7	60.0	60.0	48.0 / 9.6		9.0
10.0	55.4	55.5	55.4	55.4	55.4	55.4	55.3	54.9	53.8	48.0	48.0 / 10.1	10.0
12.0	42.7	42.8	42.7	42.7	42.6	42.6	42.5	42.4	42.3	42.3	41.6	12.0
14.0	34.5	34.5	34.5	34.5	34.4	34.4	34.2	34.1	34.0	34.0	33.8	14.0
16.0	32.9 / 14.5	28.8	28.7	28.7	28.6	28.6	28.5	28.3	28.2	28.2	28.0	16.0
18.0		26.3 / 17.1	24.5	24.5	24.3	24.3	24.2	24.1	23.9	23.9	23.7	18.0
20.0			21.6 / 19.7	21.2	21.1	21.0	20.9	20.8	20.6	20.6	20.4	20.0
22.0				18.6	18.5	18.4	18.3	18.2	18.0	17.9	17.7	22.0
24.0				18.3 / 22.3	16.4	16.3	16.2	16.0	15.9	15.8	15.6	24.0
26.0					15.5 / 24.9	14.6	14.4	14.3	14.1	14.1	13.8	26.0
28.0						13.4 / 27.5	13.0	12.8	12.7	12.6	12.4	28.0
30.0							11.7	11.5	11.4	11.3	11.1	30.0
32.0							11.7 / 30.1	10.5	10.3	10.2	10.0	32.0
34.0								10.1 / 32.7	9.4	9.3	9.1	34.0
36.0									8.8 / 35.3	8.4	8.2	36.0
38.0										7.7 / 37.9	7.5	38.0
40.0											6.8	40.0
42.0											6.7 / 40.5	42.0

Working Radius (m)	Boom length (m)										Working Radius (m)
	48	51	54	57	60	63	66	69	72	75	
10.0	36.0 / 10.6	36.0 / 11.2	36.0 / 11.7								10.0
12.0	36.0	36.0	36.0	36.0 / 12.3	24.0 / 12.9	24.0 / 13.5					12.0
14.0	33.8	33.3	32.5	31.8	24.0	24.0	24.0	24.0 / 14.5	23.7 / 15.1	21.0 / 15.6	14.0
16.0	27.9	27.8	27.6	27.2	24.0	24.0	24.0	24.0	23.2	20.8	16.0
18.0	23.6	23.5	23.3	23.1	22.9	22.4	21.8	21.3	20.7	20.0	18.0
20.0	20.3	20.2	20.0	19.8	19.8	19.6	19.1	18.6	18.0	17.5	20.0
22.0	17.7	17.5	17.3	17.2	17.1	16.9	16.8	16.3	15.8	15.4	22.0
24.0	15.6	15.4	15.2	15.0	15.0	14.8	14.6	14.4	14.0	13.6	24.0
26.0	13.8	13.6	13.4	13.3	13.2	13.0	12.8	12.7	12.5	12.0	26.0
28.0	12.3	12.1	11.9	11.8	11.7	11.5	11.3	11.2	10.9	10.7	28.0
30.0	11.0	10.9	10.7	10.5	10.4	10.2	10.1	9.9	9.7	9.5	30.0
32.0	9.9	9.8	9.6	9.4	9.3	9.1	8.9	8.8	8.6	8.4	32.0
34.0	9.0	8.8	8.6	8.4	8.4	8.1	8.0	7.8	7.6	7.4	34.0
36.0	8.1	8.0	7.8	7.6	7.5	7.3	7.1	7.0	6.7	6.6	36.0
38.0	7.4	7.2	7.0	6.8	6.8	6.5	6.4	6.2	6.0	5.8	38.0
40.0	6.7	6.6	6.3	6.2	6.1	5.9	5.7	5.5	5.3	5.1	40.0
42.0	6.1	6.0	5.8	5.6	5.5	5.3	5.1	4.9	4.7	4.5	42.0
44.0	5.8 / 43.1	5.4	5.2	5.0	4.9	4.7	4.6	4.4	4.2	4.0	44.0
46.0		5.0 / 45.7	4.7	4.6	4.5	4.2	4.1	3.9	3.7	3.5	46.0
48.0			4.3	4.1	4.0	3.8	3.6	3.4	3.2	3.0	48.0
50.0			4.2 / 48.3	3.7	3.6	3.4	3.2	3.0	2.8	2.6	50.0
52.0				3.6 / 50.9	3.2	3.0	2.8	2.7	2.4	2.3	52.0
54.0					3.0 / 53.2	2.7	2.5	2.3	2.1	1.9	54.0
56.0						2.4 / 55.8	2.2	2.0	1.8	1.6	56.0
58.0							1.9	1.7	1.5	1.4 / 57.3	58.0
60.0							1.8 / 58.4	1.4	1.4 / 58.6		60.0

- The rated loads are determined according to EN13000 rating with the machine on firm level ground.
- The figures surrounded by bold lines are based on factors other than those which would cause a tipping condition.
- To calculate the maximum load that can actually be lifted, deduct weight of all lifting accessories, such as boom hook and jib hook, from figures shown above.
- Working radius is the horizontal distance from the slewing center to the center of gravity of a lifted load.
- The counter weight is 49.6 ton.
- Correlation between the number of reeved lines, maximum rated loads, hook weights are shown in the table below.

Hook Capacity (t)	Hook Weight (t)	Maximum rated loads (t)									
		10falls	9falls	8falls	7falls	6falls	5falls	4falls	3falls	2falls	1fall
120	1.64	120	108	96	84	72	60	48	36	24	
80	1.35				80	72	60	48	36	24	
35	0.90								35	24	
12	0.51										12

■ Aux. Sheave (With Crane Boom Extensions)



Radius (m)	Boom length (m)											Radius (m)
	15	18	21	24	27	30	33	36	39	42	45	
5.8	12.0											5.8
6.0	12.0	12.0 /6.3	12.0 /6.9									6.0
7.0	12.0	12.0	12.0	12.0 /7.4								7.0
8.0	12.0	12.0	12.0	12.0	12.0	12.0 /8.5						8.0
9.0	12.0	12.0	12.0	12.0	12.0	12.0	12.0	12.0 /9.6				9.0
10.0	12.0	12.0	12.0	12.0	12.0	12.0	12.0	12.0	12.0 /10.1	12.0 /10.7	12.0 /11.2	10.0
12.0	12.0	12.0	12.0	12.0	12.0	12.0	12.0	12.0	12.0	12.0	12.0	12.0
14.0	12.0	12.0	12.0	12.0	12.0	12.0	12.0	12.0	12.0	12.0	12.0	14.0
16.0	12.0	12.0	12.0	12.0	12.0	12.0	12.0	12.0	12.0	12.0	12.0	16.0
18.0	12.0 /16.1	12.0	12.0	12.0	12.0	12.0	12.0	12.0	12.0	12.0	12.0	18.0
20.0		12.0 /18.7	12.0	12.0	12.0	12.0	12.0	12.0	12.0	12.0	12.0	20.0
22.0			12.0 /21.3	12.0	12.0	12.0	12.0	12.0	12.0	12.0	12.0	22.0
24.0				12.0 /23.9	12.0	12.0	12.0	12.0	12.0	12.0	12.0	24.0
26.0					12.0	12.0	12.0	12.0	12.0	12.0	12.0	26.0
28.0					12.0 /26.5	12.0	12.0	12.0	12.0	12.0	12.0	28.0
30.0						12.0 /29.1	11.5	11.4	11.2	11.1	10.9	30.0
32.0							10.6 /31.7	10.3	10.1	10.0	9.8	32.0
34.0								9.3	9.2	9.1	8.8	34.0
36.0								9.2 /34.3	8.3	8.2	8.0	36.0
38.0									8.0 /36.9	7.5	7.2	38.0
40.0										7.0 /39.5	6.6	40.0
42.0											6.0	42.0
44.0											6.0 /42.1	44.0

Radius (m)	Boom length (m)									Radius (m)
	48	51	54	57	60	63	66	69	72	
10.0	12.0 /11.8									10.0
12.0	12.0	12.0 /12.3	12.0 /12.9	12.0 /13.4						12.0
14.0	12.0	12.0	12.0	12.0	12.0	12.0 /14.5	12.0 /15.1	12.0 /15.6		14.0
16.0	12.0	12.0	12.0	12.0	12.0	12.0	12.0	12.0	12.0 /16.2	16.0
18.0	12.0	12.0	12.0	12.0	12.0	12.0	12.0	12.0	12.0	18.0
20.0	12.0	12.0	12.0	12.0	12.0	12.0	12.0	12.0	12.0	20.0
22.0	12.0	12.0	12.0	12.0	12.0	12.0	12.0	12.0	12.0	22.0
24.0	12.0	12.0	12.0	12.0	12.0	12.0	12.0	12.0	12.0	24.0
26.0	12.0	12.0	12.0	12.0	12.0	12.0	12.0	12.0	11.8	26.0
28.0	12.0	11.9	11.7	11.5	11.5	11.3	11.1	10.9	10.5	28.0
30.0	10.8	10.6	10.4	10.3	10.2	10.0	9.8	9.6	9.3	30.0
32.0	9.7	9.5	9.3	9.1	9.1	8.9	8.7	8.5	8.3	32.0
34.0	8.7	8.6	8.4	8.2	8.1	7.9	7.7	7.5	7.3	34.0
36.0	7.9	7.7	7.5	7.3	7.3	7.0	6.9	6.7	6.5	36.0
38.0	7.1	7.0	6.8	6.6	6.5	6.3	6.1	5.9	5.7	38.0
40.0	6.5	6.3	6.1	5.9	5.8	5.6	5.4	5.2	5.0	40.0
42.0	5.9	5.7	5.5	5.3	5.2	5.0	4.8	4.6	4.4	42.0
44.0	5.3	5.2	4.9	4.8	4.7	4.5	4.3	4.1	3.9	44.0
46.0	5.2 /44.7	4.7	4.5	4.3	4.2	4.0	3.8	3.6	3.4	46.0
48.0		4.4 /47.3	4.0	3.8	3.7	3.5	3.3	3.1	2.9	48.0
50.0			3.6 /49.8	3.4	3.3	3.1	2.9	2.7	2.5	50.0
52.0				3.1	2.9	2.7	2.5	2.3	2.1	52.0
54.0				3.0 /52.4	2.6	2.4	2.2	2.0	1.9 /53.3	54.0
56.0					2.4 /55.0	2.1	1.9	1.9 /54.6		56.0
58.0						1.9 /57.0				58.0

1. The rated loads are determined according to EN13000 rating with the machine on firm level ground.
2. The figures surrounded by bold lines are based on factors other than those which would cause a tipping condition.
3. To calculate the maximum load that can actually be lifted, deduct weight of all lifting accessories, such as boom hook and jib hook, from figures shown above.

Hook Capacity (t)	Hook Weight (t)
120	1.64
80	1.35
35	0.90
12	0.51

4. Working radius is the horizontal distance from the slewing center to the center of gravity of a lifted load.
5. The counter weight is 49.6 ton.

■ Main Boom with Aux. Sheave (With Crane Boom Extensions)



Radius (m)	Boom length (m)											Unit: ton
	15	18	21	24	27	30	33	36	39	42	45	Radius (m)
4.6	120.0											4.6
5.0	119.5	114.9/5.2										5.0
5.5	109.1	108.9	105.0/5.7									5.5
6.0	100.2	100.0	99.9	95.1/6.3	84.0/6.8							6.0
7.0	86.2	86.0	85.8	85.7	84.0	72.0/7.4	72.0/7.9					7.0
8.0	75.4	75.2	75.1	75.0	74.8	72.0	72.0	60.0/8.5				8.0
9.0	64.4	64.4	64.4	64.4	64.3	64.3	63.1	60.0	60.0	48.0/9.6		9.0
10.0	55.0	55.1	55.0	55.0	55.0	54.9	54.8	54.2	53.1	48.0	48.0/10.1	10.0
12.0	42.4	42.4	42.3	42.3	42.2	42.2	42.1	42.0	41.9	41.8	40.9	12.0
14.0	34.2	34.2	34.1	34.1	34.0	34.0	33.8	33.7	33.6	33.5	33.3	14.0
16.0	32.6/14.5	28.4	28.4	28.4	28.2	28.2	28.1	27.9	27.8	27.7	27.5	16.0
18.0		26.0/17.1	24.1	24.1	24.0	23.9	23.8	23.7	23.5	23.4	23.2	18.0
20.0			21.3/19.7	20.8	20.7	20.6	20.5	20.4	20.2	20.1	19.9	20.0
22.0				18.3	18.1	18.1	17.9	17.8	17.6	17.5	17.3	22.0
24.0				17.9/22.3	16.0	15.9	15.8	15.6	15.5	15.4	15.2	24.0
26.0					15.2/24.9	14.2	14.1	13.9	13.7	13.7	13.4	26.0
28.0						13.1/27.5	12.6	12.4	12.3	12.2	12.0	28.0
30.0							11.4	11.2	11.0	10.9	10.7	30.0
32.0							11.3/30.1	10.1	10.0	9.8	9.6	32.0
34.0								9.8/32.7	9.0	8.9	8.7	34.0
36.0									8.5/35.3	8.1	7.8	36.0
38.0										7.4/37.9	7.1	38.0
40.0											6.5	40.0
42.0											6.3/40.5	42.0

Radius (m)	Boom length (m)									Unit: ton
	48	51	54	57	60	63	66	69	72	Radius (m)
10.0	36.0/10.6	36.0/11.2	36.0/11.7							10.0
12.0	36.0	36.0	36.0	36.0/12.3	24.0/12.9	24.0/13.5				12.0
14.0	33.3	32.6	31.8	31.1	24.0	24.0	24.0	24.0/14.5	22.5/15.1	14.0
16.0	27.5	27.3	27.1	26.5	24.0	24.0	24.0	23.9	22.1	16.0
18.0	23.2	23.0	22.8	22.6	22.2	21.7	21.1	20.5	19.9	18.0
20.0	19.9	19.7	19.5	19.3	19.3	18.8	18.3	17.8	17.3	20.0
22.0	17.3	17.1	16.9	16.7	16.7	16.4	16.1	15.6	15.1	22.0
24.0	15.1	15.0	14.7	14.6	14.5	14.3	14.1	13.7	13.3	24.0
26.0	13.4	13.2	13.0	12.8	12.7	12.5	12.3	12.2	11.7	26.0
28.0	11.9	11.7	11.5	11.3	11.2	11.0	10.8	10.7	10.4	28.0
30.0	10.6	10.4	10.2	10.0	10.0	9.7	9.6	9.4	9.2	30.0
32.0	9.5	9.4	9.1	8.9	8.9	8.6	8.5	8.3	8.1	32.0
34.0	8.6	8.4	8.2	8.0	7.9	7.7	7.5	7.3	7.1	34.0
36.0	7.7	7.6	7.3	7.2	7.1	6.8	6.7	6.5	6.2	36.0
38.0	7.0	6.8	6.6	6.4	6.3	6.1	5.9	5.7	5.5	38.0
40.0	6.4	6.2	5.9	5.8	5.7	5.4	5.2	5.1	4.8	40.0
42.0	5.8	5.6	5.4	5.2	5.1	4.8	4.6	4.5	4.2	42.0
44.0	5.5/43.1	5.1	4.8	4.6	4.5	4.3	4.1	3.9	3.7	44.0
46.0		4.7/45.7	4.3	4.2	4.0	3.8	3.6	3.4	3.2	46.0
48.0			3.9	3.7	3.6	3.4	3.2	3.0	2.8	48.0
50.0			3.9/48.3	3.3	3.2	3.0	2.8	2.6	2.3	50.0
52.0				3.2/50.9	2.8	2.6	2.4	2.2	2.0	52.0
54.0					2.6/53.2	2.2	2.1	1.9	1.9/52.5	54.0
56.0						2.0/55.8	1.9/55.3			56.0

1. The rated loads are determined according to EN13000 rating with the machine on firm level ground.
2. The figures surrounded by bold lines are based on factors other than those which would cause a tipping condition.
3. To calculate the maximum load that can actually be lifted, deduct weight of all lifting accessories, such as boom hook and jib hook, from figures shown above.
4. Working radius is the horizontal distance from the slewing center to the center of gravity of a lifted load.
5. The counter weight is 49.6 ton.
6. Correlation between the number of reeved lines , maximum rated loads ,hook weights are shown in the table below

Hook Capacity (t)	Hook Weight (t)	Maximum rated loads (t)									
		10falls	9falls	8falls	7falls	6falls	5falls	4falls	3falls	2falls	1fall
120	1.64	120	108	96	84	72	60	48	36	24	
80	1.35				80	72	60	48	36	24	
35	0.90							35	24		
12	0.51										12

■ Crane Jib (With Crane Boom Extensions)



									Unit: ton
Boom length (m)	24								Boom length (m)
Jib length (m)	10		16		22		28		Jib length (m)
Offset angle (deg)	10	30	10	30	10	30	10	30	Offset angle (deg)
Radius (m)									Radius (m)
9.7	12.0								9.7
10.0	12.0		12.0/11.8						10.0
12.0	12.0	12.0/12.6	12.0		8.8/13.9				12.0
14.0	12.0	12.0	12.0		8.8				14.0
16.0	12.0	12.0	12.0	9.0/16.5	8.8		5.4		16.0
18.0	12.0	12.0	12.0	9.0	8.6		5.1		18.0
20.0	12.0	12.0	12.0	9.0	8.3	6.4/20.4	4.8		20.0
22.0	12.0	11.7	12.0	9.0	7.9	6.4	4.5		22.0
24.0	12.0	11.2	12.0	9.0	7.6	6.4	4.3	3.4/24.3	24.0
26.0	12.0	10.8	12.0	8.7	7.3	6.4	4.1	3.4	26.0
28.0	12.0	10.4	11.9	8.3	7.0	6.4	3.9	3.3	28.0
30.0	12.0	10.2	11.1	8.0	6.8	6.2	3.7	3.1	30.0
32.0	11.4	10.0	10.4	7.7	6.6	5.9	3.6	3.0	32.0
34.0	11.3/32.2	9.9/32.8	9.8	7.5	6.4	5.7	3.4	2.9	34.0
36.0			9.3	7.3	6.2	5.4	3.3	2.9	36.0
38.0			8.9/37.9	7.2	6.1	5.3	3.2	2.8	38.0
40.0				7.2/38.8	5.9	5.1	3.1	2.7	40.0
42.0					5.8	5.0	3.0	2.7	42.0
44.0					5.8/43.5	4.9	2.9	2.6	44.0
46.0						4.9/44.8	2.8	2.6	46.0
48.0							2.7	2.6	48.0
50.0							2.7/49.2	2.6	50.0
52.0								2.6/50.8	52.0

									Unit: ton
Boom length (m)	27								Boom length (m)
Jib length (m)	10		16		22		28		Jib length (m)
Offset angle (deg)	10	30	10	30	10	30	10	30	Offset angle (deg)
Radius (m)									Radius (m)
10.0	12.0/10.2								10.0
12.0	12.0	12.0/13.2	12.0/12.3						12.0
14.0	12.0	12.0	12.0		8.8/14.4				14.0
16.0	12.0	12.0	12.0	9.0/17.1	8.8		5.4/16.5		16.0
18.0	12.0	12.0	12.0	9.0	8.8		5.2		18.0
20.0	12.0	12.0	12.0	9.0	8.4	6.4/21.0	4.9		20.0
22.0	12.0	12.0	12.0	9.0	8.1	6.4	4.6		22.0
24.0	12.0	11.5	12.0	9.0	7.8	6.4	4.4	3.4/24.9	24.0
26.0	12.0	11.1	12.0	8.9	7.5	6.4	4.2	3.4	26.0
28.0	12.0	10.7	12.0	8.5	7.2	6.4	4.0	3.3	28.0
30.0	12.0	10.4	11.8	8.2	7.0	6.3	3.8	3.2	30.0
32.0	11.2	10.2	11.1	7.9	6.7	6.1	3.7	3.1	32.0
34.0	10.2	10.0	10.4		6.5	5.8	3.5	3.0	34.0
36.0	9.9/34.8	9.7/35.4	9.8	7.5	6.4	5.6	3.4	2.9	36.0
38.0			9.0	7.3	6.2	5.4	3.3	2.8	38.0
40.0			8.3	7.2	6.1	5.2	3.2	2.8	40.0
42.0			8.2/40.5	7.2/41.4	5.9	5.1	3.1	2.7	42.0
44.0					5.9	5.0	3.0	2.7	44.0
46.0					5.8	4.9	2.9	2.6	46.0
48.0					5.8/46.1	4.8/47.4	2.8	2.6	48.0
50.0							2.8	2.6	50.0
52.0							2.7/51.7	2.6	52.0
54.0								2.6/53.4	54.0

- The rated loads are determined according to EN13000 rating with the machine on firm level ground.
- The figures surrounded by bold lines are based on factors other than those which would cause a tipping condition.
- To calculate the maximum load that can actually be lifted, deduct weight of all lifting accessories, such as boom hook and jib hook, from figures shown above.

Hook Capacity (t)	Hook Weight (t)
120	1.64
80	1.35
35	0.90
12	0.51

- Working radius is the horizontal distance from the slewing center to the center of gravity of a lifted load.
- The counter weight is 49.6 ton.

■ Crane Jib (With Crane Boom Extensions)



									Unit: ton
Boom length (m)	30								Boom length (m)
Jib length (m)	10		16		22		28		Jib length (m)
Offset angle (deg) Radius (m)	10	30	10	30	10	30	10	30	Offset angle (deg) Radius (m)
10.7	12.0								10.7
12.0	12.0	12.0 / 13.7	12.0 / 12.8			8.8 / 15.0			12.0
14.0	12.0	12.0	12.0						14.0
16.0	12.0	12.0	12.0	9.0 / 17.6	8.8		5.4 / 17.1		16.0
18.0	12.0	12.0	12.0	9.0	8.8		5.2		18.0
20.0	12.0	12.0	12.0	9.0	8.6	6.4 / 21.5	5.0		20.0
22.0	12.0	12.0	12.0	9.0	8.2	6.4	4.7		22.0
24.0	12.0	11.8	12.0	9.0	7.9	6.4	4.5	3.4 / 25.4	24.0
26.0	12.0	11.4	12.0	9.0	7.6	6.4	4.3	3.4	26.0
28.0	12.0	11.0	12.0	8.7	7.4	6.4	4.1	3.3	28.0
30.0	12.0	10.7	12.0	8.4	7.1	6.4	3.9	3.2	30.0
32.0	11.1	10.4	11.4	8.1	6.9	6.2	3.8	3.1	32.0
34.0	10.1	10.2	10.5	7.9	6.7	6.0	3.6	3.0	34.0
36.0	9.3	9.4	9.6	7.7	6.5	5.8	3.5	2.9	36.0
38.0	8.7 / 37.4	8.6	8.8	7.5	6.3	5.6	3.4	2.9	38.0
40.0			8.2	7.3	6.2	5.4	3.2	2.8	40.0
42.0			7.6	7.2	6.1	5.2	3.1	2.7	42.0
44.0			7.3 / 43.1	7.1	6.0	5.1	3.0	2.7	44.0
46.0					5.9	5.0	3.0	2.7	46.0
48.0					5.8	4.9	2.9	2.6	48.0
50.0					5.8 / 48.7	4.8	2.8	2.6	50.0
52.0							2.8	2.6	52.0
54.0							2.7	2.6	54.0
56.0							2.7 / 54.3	2.6	56.0

									Unit: ton
Boom length (m)	33								Boom length (m)
Jib length (m)	10		16		22		28		Jib length (m)
Offset angle (deg) Radius (m)	10	30	10	30	10	30	10	30	Offset angle (deg) Radius (m)
10.7	12.0 / 11.3								10.7
12.0	12.0		12.0 / 13.4			8.8 / 15.5			12.0
14.0	12.0	12.0 / 14.3	12.0						14.0
16.0	12.0	12.0	12.0			8.8		5.4 / 17.6	16.0
18.0	12.0	12.0	12.0	9.0 / 18.2	8.8		5.3		18.0
20.0	12.0	12.0	12.0	9.0	8.7		5.0		20.0
22.0	12.0	12.0	12.0	9.0	8.4	6.4 / 22.1	4.8		22.0
24.0	12.0	12.0	12.0	9.0	8.1	6.4	4.6		24.0
26.0	12.0	11.7	12.0	9.0	7.8	6.4	4.4	3.4	26.0
28.0	12.0	11.3	12.0	8.9	7.5	6.4	4.2	3.4	28.0
30.0	12.0	11.0	12.0	8.6	7.3	6.4	4.0	3.2	30.0
32.0	10.9	10.7	11.3	8.3	7.0	6.4	3.9	3.1	32.0
34.0	9.9	10.1	10.3	8.1	6.8	6.1	3.7	3.1	34.0
36.0	9.1	9.2	9.4	7.9	6.7	5.9	3.6	3.0	36.0
38.0	8.3	8.4	8.7	7.7	6.5	5.7	3.5	2.9	38.0
40.0	7.7	7.7	8.0	7.5	6.3	5.5	3.3	2.8	40.0
42.0		7.5 / 40.6	7.4	7.3	6.2	5.3	3.2	2.8	42.0
44.0			6.8	7.0	6.1	5.2	3.1	2.7	44.0
46.0			6.4 / 45.7	6.4	6.0	5.1	3.0	2.7	46.0
48.0				6.3 / 46.6	5.9	5.0	3.0	2.7	48.0
50.0					5.7	4.9	2.9	2.6	50.0
52.0					5.4 / 51.3	4.8	2.8	2.6	52.0
54.0						4.8 / 52.6	2.8	2.6	54.0
56.0							2.7	2.6	56.0
58.0							2.7 / 56.9	2.6	58.0
60.0								2.6 / 58.6	60.0

• For notes about the table above, refer to page 20.

■ Crane Jib (With Crane Boom Extensions)



									Unit: ton
Boom length (m)	36								Boom length (m)
Jib length (m)	10		16		22		28		Jib length (m)
Offset angle (deg) Radius (m)	10	30	10	30	10	30	10	30	Offset angle (deg) Radius (m)
11.8	12.0								11.8
12.0	12.0		12.0/13.9						12.0
14.0	12.0	12.0/14.8	12.0						14.0
16.0	12.0	12.0	12.0		8.8				16.0
18.0	12.0	12.0	12.0	9.0/18.7	8.8		5.4/18.1		18.0
20.0	12.0	12.0	12.0	9.0	8.8		5.1		20.0
22.0	12.0	12.0	12.0	9.0	8.5	6.4/22.6	4.9		22.0
24.0	12.0	12.0	12.0	9.0	8.2	6.4	4.7		24.0
26.0	12.0	11.9	12.0	9.0	7.9	6.4	4.5	3.4/26.5	26.0
28.0	12.0	11.5	12.0	9.0	7.7	6.4	4.3	3.4	28.0
30.0	11.8	11.2	12.0	8.8	7.4	6.4	4.1	3.3	30.0
32.0	10.7	10.9	11.1	8.5	7.2	6.4	4.0	3.2	32.0
34.0	9.7	10.0	10.1	8.3	7.0	6.2	3.8	3.1	34.0
36.0	8.9	9.1	9.2	8.0	6.8	6.0	3.7	3.0	36.0
38.0	8.1	8.3	8.5	7.8	6.6	5.8	3.5	2.9	38.0
40.0	7.5	7.6	7.8	7.6	6.5	5.6	3.4	2.9	40.0
42.0	6.9	6.9	7.2	7.4	6.3	5.5	3.3	2.8	42.0
44.0	6.7/42.6	6.6/43.2	6.6	6.8	6.2	5.3	3.2	2.8	44.0
46.0			6.1	6.3	6.1	5.2	3.1	2.7	46.0
48.0			5.7	5.8	5.9	5.1	3.0	2.7	48.0
50.0			5.6/48.3	5.5/49.2	5.5	5.0	3.0	2.6	50.0
52.0					5.1	4.9	2.9	2.6	52.0
54.0					4.8/53.9	4.8	2.8	2.6	54.0
56.0						4.6/55.2	2.8	2.6	56.0
58.0							2.7	2.6	58.0
60.0							2.7/59.5	2.6	60.0
62.0								2.6/61.2	62.0

									Unit: ton
Boom length (m)	39								Boom length (m)
Jib length (m)	10		16		22		28		Jib length (m)
Offset angle (deg) Radius (m)	10	30	10	30	10	30	10	30	Offset angle (deg) Radius (m)
12.0	12.0/12.4								12.0
14.0	12.0	12.0/15.4	12.0/14.5						14.0
16.0	12.0	12.0	12.0		8.8/16.6				16.0
18.0	12.0	12.0	12.0	9.0/19.3	8.8		5.3/18.7		18.0
20.0	12.0	12.0	12.0	9.0	8.8		5.2		20.0
22.0	12.0	12.0	12.0	9.0	8.6	6.4/23.2	5.0		22.0
24.0	12.0	12.0	12.0	9.0	8.3	6.4	4.7		24.0
26.0	12.0	12.0	12.0	9.0	8.0	6.4	4.5	3.4/27.1	26.0
28.0	12.0	11.8	12.0	9.0	7.8	6.4	4.4	3.4	28.0
30.0	11.6	11.4	12.0	8.9	7.6	6.4	4.2	3.3	30.0
32.0	10.5	10.8	10.9	8.7	7.3	6.4	4.0	3.2	32.0
34.0	9.6	9.8	9.9	8.4	7.1	6.4	3.9	3.1	34.0
36.0	8.7	8.9	9.1	8.2	6.9	6.1	3.8	3.0	36.0
38.0	8.0	8.1	8.3	8.0	6.8	5.9	3.6	3.0	38.0
40.0	7.3	7.4	7.6	7.8	6.6	5.8	3.5	2.9	40.0
42.0	6.7	6.8	7.0	7.3	6.4	5.6	3.4	2.8	42.0
44.0	6.1	6.2	6.5	6.7	6.3	5.4	3.3	2.8	44.0
46.0	5.8/45.2	5.7/45.8	6.0	6.1	6.2	5.3	3.2	2.7	46.0
48.0			5.5	5.6	5.7	5.2	3.1	2.7	48.0
50.0			5.1	5.2	5.3	5.1	3.0	2.7	50.0
52.0			4.9/50.9	4.8/51.8	4.9	5.0	3.0	2.6	52.0
54.0					4.6	4.7	2.9	2.6	54.0
56.0					4.2	4.4	2.8	2.6	56.0
58.0					4.2/56.5	4.1/57.8	2.8	2.6	58.0
60.0							2.7	2.6	60.0
62.0							2.7	2.6	62.0
64.0							2.7/62.1	2.6/63.8	64.0

• For notes about the table above, refer to page 20.

■ Crane Jib (With Crane Boom Extensions)



Unit: ton

Boom length (m)	42								Boom length (m)
Jib length (m)	10		16		22		28		Jib length (m)
Offset angle (deg) Radius (m)	10	30	10	30	10	30	10	30	Offset angle (deg) Radius (m)
12.9	12.0								12.9
14.0	12.0	12.0/15.9	12.0/15.0						14.0
16.0	12.0	12.0	12.0		8.8/17.1				16.0
18.0	12.0	12.0	12.0	9.0/19.8	8.8		5.3/19.2		18.0
20.0	12.0	12.0	12.0	9.0	8.8		5.2		20.0
22.0	12.0	12.0	12.0	9.0	8.7	6.4/23.7	5.0		22.0
24.0	12.0	12.0	12.0	9.0	8.4	6.4	4.8		24.0
26.0	12.0	12.0	12.0	9.0	8.2	6.4	4.6	3.4/27.6	26.0
28.0	12.0	12.0	12.0	9.0	7.9	6.4	4.4	3.4	28.0
30.0	11.5	11.6	11.9	9.0	7.7	6.4	4.3	3.3	30.0
32.0	10.4	10.7	10.8	8.8	7.5	6.4	4.1	3.2	32.0
34.0	9.4	9.7	9.8	8.6	7.3	6.4	4.0	3.1	34.0
36.0	8.6	8.8	8.9	8.3	7.1	6.3	3.8	3.1	36.0
38.0	7.8	8.0	8.2	8.1	6.9	6.1	3.7	3.0	38.0
40.0	7.2	7.3	7.5	7.8	6.7	5.9	3.6	2.9	40.0
42.0	6.5	6.7	6.9	7.2	6.6	5.7	3.5	2.9	42.0
44.0	6.0	6.1	6.3	6.6	6.4	5.5	3.4	2.8	44.0
46.0	5.5	5.6	5.8	6.0	6.0	5.4	3.3	2.8	46.0
48.0	5.1/47.8	5.1	5.4	5.5	5.6	5.3	3.2	2.7	48.0
50.0		5.0/48.4	4.9	5.1	5.2	5.2	3.1	2.7	50.0
52.0			4.6	4.7	4.8	5.0	3.0	2.6	52.0
54.0			4.3/53.5	4.3	4.4	4.6	2.9	2.6	54.0
56.0				4.2/54.4	4.1	4.3	2.9	2.6	56.0
58.0					3.8	3.9	2.8	2.6	58.0
60.0					3.6/59.1	3.6	2.8	2.6	60.0
62.0						3.5/60.4	2.7	2.6	62.0
64.0							2.7	2.6	64.0
66.0							2.7/64.7	2.6	66.0
68.0								2.6/66.4	68.0

Unit: ton

Boom length (m)	45								Boom length (m)
Jib length (m)	10		16		22		28		Jib length (m)
Offset angle (deg) Radius (m)	10	30	10	30	10	30	10	30	Offset angle (deg) Radius (m)
12.9	12.0/13.5								12.9
14.0	12.0		12.0/15.6						14.0
16.0	12.0	12.0/16.5	12.0		8.8/17.7				16.0
18.0	12.0	12.0	12.0		8.8		5.3/19.8		18.0
20.0	12.0	12.0	12.0	9.0/20.4	8.8		5.3		20.0
22.0	12.0	12.0	12.0	9.0	8.8		5.1		22.0
24.0	12.0	12.0	12.0	9.0	8.5	6.4/24.3	4.9		24.0
26.0	12.0	12.0	12.0	9.0	8.3	6.4	4.7		26.0
28.0	12.0	12.0	12.0	9.0	8.0	6.4	4.5	3.4/28.2	28.0
30.0	11.3	11.7	11.7	9.0	7.8	6.4	4.3	3.3	30.0
32.0	10.2	10.5	10.6	9.0	7.6	6.4	4.2	3.3	32.0
34.0	9.2	9.5	9.6	8.7	7.4	6.4	4.0	3.2	34.0
36.0	8.4	8.6	8.7	8.5	7.2	6.4	3.9	3.1	36.0
38.0	7.6	7.8	7.9	8.3	7.0	6.2	3.8	3.0	38.0
40.0	6.9	7.1	7.3	7.6	6.8	6.0	3.7	3.0	40.0
42.0	6.3	6.5	6.6	7.0	6.7	5.8	3.5	2.9	42.0
44.0	5.8	5.9	6.1	6.4	6.3	5.7	3.4	2.8	44.0
46.0	5.3	5.4	5.6	5.8	5.8	5.5	3.3	2.8	46.0
48.0	4.8	4.9	5.1	5.3	5.4	5.4	3.3	2.7	48.0
50.0	4.4	4.5	4.7	4.9	4.9	5.3	3.2	2.7	50.0
52.0	4.3/50.4	4.3/51.0	4.3	4.5	4.6	4.8	3.1	2.7	52.0
54.0			4.0	4.1	4.2	4.5	3.0	2.6	54.0
56.0			3.6	3.7	3.9	4.1	2.9	2.6	56.0
58.0			3.6/56.1	3.6/57.0	3.6	3.7	2.9	2.6	58.0
60.0					3.3	3.4	2.8	2.6	60.0
62.0					3.1/61.7	3.1	2.8	2.6	62.0
64.0						3.0/63.0	2.7	2.6	64.0
66.0							2.7	2.6	66.0
68.0							2.6/67.3	2.6	68.0
70.0								2.5/69.0	70.0

• For notes about the table above, refer to page 20.

■ Crane Jib (With Crane Boom Extensions)



									Unit: ton	
Boom length (m)	48								Boom length (m)	
Jib length (m)	10		16		22		28		Jib length (m)	
Offset angle (deg)	10	30	10	30	10	30	10	30	Offset angle (deg)	
Radius (m)										Radius (m)
14.0	12.0								14.0	
16.0	12.0	12.0 / 17.0	12.0 / 16.1						16.0	
18.0	12.0	12.0	12.0		8.8 / 18.2				18.0	
20.0	12.0	12.0	12.0	9.0 / 20.9	8.8		5.3 / 20.3		20.0	
22.0	12.0	12.0	12.0	9.0	8.8		5.1		22.0	
24.0	12.0	12.0	12.0	9.0	8.6	6.4 / 24.8	4.9		24.0	
26.0	12.0	12.0	12.0	9.0	8.4	6.4	4.8		26.0	
28.0	12.0	12.0	12.0	9.0	8.1	6.4	4.6	3.4 / 28.7	28.0	
30.0	11.2	11.6	11.6	9.0	7.9	6.4	4.4	3.4	30.0	
32.0	10.1	10.4	10.5	9.0	7.7	6.4	4.3	3.3	32.0	
34.0	9.1	9.4	9.5	8.8	7.5	6.4	4.1	3.2	34.0	
36.0	8.2	8.5	8.6	8.6	7.3	6.4	4.0	3.1	36.0	
38.0	7.5	7.7	7.8	8.3	7.1	6.3	3.9	3.1	38.0	
40.0	6.8	7.0	7.1	7.5	7.0	6.1	3.7	3.0	40.0	
42.0	6.2	6.4	6.5	6.9	6.8	5.9	3.6	2.9	42.0	
44.0	5.6	5.8	6.0	6.3	6.2	5.8	3.5	2.9	44.0	
46.0	5.1	5.3	5.5	5.7	5.7	5.6	3.4	2.8	46.0	
48.0	4.7	4.8	5.0	5.3	5.2	5.5	3.3	2.8	48.0	
50.0	4.3	4.4	4.6	4.8	4.8	5.2	3.2	2.7	50.0	
52.0	3.9	4.0	4.2	4.4	4.4	4.8	3.2	2.7	52.0	
54.0	3.7 / 53.0	3.7 / 53.6	3.8	4.0	4.1	4.4	3.1	2.7	54.0	
56.0			3.5	3.6	3.7	4.0	3.0	2.6	56.0	
58.0			3.2	3.3	3.4	3.6	2.9	2.6	58.0	
60.0			3.1 / 58.7	3.0 / 59.6	3.1	3.3	2.9	2.6	60.0	
62.0					2.9	3.0	2.8	2.6	62.0	
64.0					2.6	2.7	2.8	2.6	64.0	
66.0					2.6 / 64.3	2.5 / 65.6	2.5	2.6	66.0	
68.0							2.3	2.5	68.0	
70.0							2.1 / 69.9	2.3	70.0	
72.0								2.1 / 71.6	72.0	

									Unit: ton	
Boom length (m)	51								Boom length (m)	
Jib length (m)	10		16		22		28		Jib length (m)	
Offset angle (deg)	10	30	10	30	10	30	10	30	Offset angle (deg)	
Radius (m)										Radius (m)
14.0	12.0 / 14.6								14.0	
16.0	12.0	12.0 / 17.6	12.0 / 16.7						16.0	
18.0	12.0	12.0	12.0		8.8 / 18.8				18.0	
20.0	12.0	12.0	12.0	9.0 / 21.5	8.8		5.3 / 20.9		20.0	
22.0	12.0	12.0	12.0	9.0	8.8		5.2		22.0	
24.0	12.0	12.0	12.0	9.0	8.7	6.4 / 25.4	5.0		24.0	
26.0	12.0	12.0	12.0	9.0	8.5	6.4	4.8		26.0	
28.0	12.0	12.0	12.0	9.0	8.2	6.4	4.6	3.4 / 29.3	28.0	
30.0	11.0	11.5	11.4	9.0	8.0	6.4	4.5	3.4	30.0	
32.0	9.9	10.3	10.3	9.0	7.8	6.4	4.3	3.3	32.0	
34.0	8.9	9.3	9.3	9.0	7.6	6.4	4.2	3.2	34.0	
36.0	8.1	8.4	8.4	8.7	7.4	6.4	4.0	3.1	36.0	
38.0	7.3	7.6	7.6	8.1	7.2	6.4	3.9	3.1	38.0	
40.0	6.6	6.9	7.0	7.4	7.1	6.2	3.8	3.0	40.0	
42.0	6.0	6.2	6.3	6.7	6.6	6.0	3.7	2.9	42.0	
44.0	5.5	5.6	5.8	6.1	6.0	5.9	3.6	2.9	44.0	
46.0	5.0	5.1	5.3	5.6	5.5	5.7	3.5	2.8	46.0	
48.0	4.5	4.6	4.8	5.1	5.1	5.5	3.4	2.8	48.0	
50.0	4.1	4.2	4.4	4.6	4.6	5.0	3.3	2.7	50.0	
52.0	3.7	3.8	4.0	4.2	4.2	4.6	3.2	2.7	52.0	
54.0	3.4	3.4	3.6	3.8	3.9	4.2	3.1	2.7	54.0	
56.0	3.1 / 55.6	3.1	3.3	3.5	3.5	3.8	3.1	2.6	56.0	
58.0		3.1 / 56.2	3.0	3.1	3.2	3.5	3.0	2.6	58.0	
60.0			2.7	2.8	2.9	3.2	2.9	2.6	60.0	
62.0			2.6 / 61.3	2.5	2.7	2.9	2.9	2.6	62.0	
64.0				2.5 / 62.2	2.4	2.6	2.6	2.6	64.0	
66.0					2.2	2.3	2.4	2.6	66.0	
68.0					2.1 / 66.9	2.1	2.1	2.4	68.0	
70.0						2.0 / 68.2	1.9	2.1	70.0	
72.0								1.9	72.0	

• For notes about the table above, refer to page 20.

■ Crane Jib (With Crane Boom Extensions)



									Unit: ton
Boom length (m)	54								Boom length (m)
Jib length (m)	10		16		22		28		Jib length (m)
Offset angle (deg) Radius (m)	10	30	10	30	10	30	10	30	Offset angle (deg) Radius (m)
15.1	12.0								15.1
16.0	12.0		12.0 / 17.2						16.0
18.0	12.0	12.0 / 18.1	12.0		8.8 / 19.3				18.0
20.0	12.0	12.0	12.0		8.8		5.3 / 21.4		20.0
22.0	12.0	12.0	12.0	9.0	8.8		5.2		22.0
24.0	12.0	12.0	12.0	9.0	8.8	6.4 / 25.9	5.0		24.0
26.0	12.0	12.0	12.0	9.0	8.6	6.4	4.9		26.0
28.0	12.0	12.0	12.0	9.0	8.3	6.4	4.7	3.4 / 29.8	28.0
30.0	10.8	11.3	11.2	9.0	8.1	6.4	4.5	3.4	30.0
32.0	9.7	10.1	10.1	9.0	7.9	6.4	4.4	3.3	32.0
34.0	8.7	9.1	9.1	9.0	7.7	6.4	4.2	3.2	34.0
36.0	7.8	8.2	8.2	8.8	7.5	6.4	4.1	3.2	36.0
38.0	7.1	7.4	7.4	7.9	7.3	6.4	4.0	3.1	38.0
40.0	6.4	6.7	6.7	7.2	7.0	6.3	3.9	3.0	40.0
42.0	5.8	6.0	6.1	6.5	6.4	6.1	3.8	3.0	42.0
44.0	5.2	5.4	5.6	5.9	5.8	5.9	3.6	2.9	44.0
46.0	4.7	4.9	5.0	5.4	5.3	5.8	3.5	2.9	46.0
48.0	4.3	4.4	4.6	4.9	4.8	5.3	3.5	2.8	48.0
50.0	3.9	4.0	4.2	4.4	4.4	4.9	3.4	2.8	50.0
52.0	3.5	3.6	3.8	4.0	4.0	4.4	3.3	2.7	52.0
54.0	3.1	3.2	3.4	3.6	3.7	4.0	3.2	2.7	54.0
56.0	2.8	2.9	3.1	3.3	3.3	3.7	3.1	2.7	56.0
58.0	2.5	2.6	2.8	2.9	3.0	3.3	3.1	2.6	58.0
60.0	2.5 / 58.2	2.4 / 58.8	2.5	2.6	2.7	3.0	2.9	2.6	60.0
62.0			2.2	2.3	2.5	2.7	2.6	2.6	62.0
64.0			2.0 / 63.9	2.1	2.2	2.4	2.4	2.6	64.0
66.0				2.0 / 64.8	2.0	2.1	2.1	2.4	66.0
68.0					1.9 / 67.0	1.9	1.9	2.2	68.0
70.0							1.9	1.9	70.0

									Unit: ton
Boom length (m)	57								Boom length (m)
Jib length (m)	10		16		22		28		Jib length (m)
Offset angle (deg) Radius (m)	10	30	10	30	10	30	10	30	Offset angle (deg) Radius (m)
15.1	12.0 / 15.7								15.1
16.0	12.0		12.0 / 17.8						16.0
18.0	12.0	12.0 / 18.7	12.0		8.8 / 19.9				18.0
20.0	12.0	12.0	12.0		8.8				20.0
22.0	12.0	12.0	12.0	9.0 / 22.6	8.8		5.3		22.0
24.0	12.0	12.0	12.0	9.0	8.8		5.1		24.0
26.0	12.0	12.0	12.0	9.0	8.7	6.4 / 26.5	4.9		26.0
28.0	11.9	12.0	12.0	9.0	8.4	6.4	4.8		28.0
30.0	10.6	11.1	11.0	9.0	8.2	6.4	4.6	3.4 / 30.4	30.0
32.0	9.5	9.9	9.9	9.0	8.0	6.4	4.4	3.3	32.0
34.0	8.5	8.9	8.9	9.0	7.8	6.4	4.3	3.3	34.0
36.0	7.7	8.0	8.0	8.6	7.6	6.4	4.2	3.2	36.0
38.0	6.9	7.2	7.2	7.8	7.4	6.4	4.0	3.1	38.0
40.0	6.2	6.5	6.5	7.1	6.8	6.4	3.9	3.1	40.0
42.0	5.6	5.9	5.9	6.4	6.2	6.2	3.8	3.0	42.0
44.0	5.0	5.3	5.4	5.8	5.6	6.0	3.7	2.9	44.0
46.0	4.5	4.7	4.9	5.2	5.1	5.7	3.6	2.9	46.0
48.0	4.1	4.3	4.4	4.7	4.7	5.2	3.5	2.8	48.0
50.0	3.7	3.8	4.0	4.3	4.2	4.7	3.4	2.8	50.0
52.0	3.3	3.4	3.6	3.9	3.8	4.3	3.3	2.7	52.0
54.0	2.9	3.1	3.2	3.5	3.5	3.9	3.3	2.7	54.0
56.0	2.6	2.7	2.9	3.1	3.1	3.5	3.2	2.7	56.0
58.0	2.3	2.4	2.6	2.8	2.8	3.2	3.0	2.6	58.0
60.0	2.0	2.1	2.3	2.5	2.5	2.8	2.7	2.6	60.0
62.0	1.9 / 60.8	1.9 / 61.4	2.0	2.2	2.3	2.5	2.5	2.6	62.0
64.0			1.9 / 63.0	1.9	2.0	2.3	2.2	2.6	64.0
66.0					1.9 / 65.0	2.0	2.0	2.3	66.0
68.0						1.9 / 66.6	1.9 / 66.6	2.0	68.0
70.0							1.9 / 69.0	1.9	70.0

• For notes about the table above, refer to page 20.

■ Crane Jib (With Crane Boom Extensions)



60									Unit: ton
Boom length (m)									Boom length (m)
Jib length (m)	10		16		22		28		Jib length (m)
Offset angle (deg)	10	30	10	30	10	30	10	30	Offset angle (deg)
Radius (m)									Radius (m)
16.2	12.0								16.2
18.0	12.0	12.0 /19.2	12.0 /18.3						18.0
20.0	12.0	12.0	12.0		8.8 /20.4				20.0
22.0	12.0	12.0	12.0	9.0 /23.1	8.8		5.3 /22.5		22.0
24.0	12.0	12.0	12.0	9.0	8.8		5.1		24.0
26.0	12.0	12.0	12.0	9.0	8.8	6.4 /27.0	5.0		26.0
28.0	11.9	12.0	12.0	9.0	8.5	6.4	4.8		28.0
30.0	10.5	11.1	10.9	9.0	8.3	6.4	4.6	3.4 /30.9	30.0
32.0	9.4	9.9	9.8	9.0	8.1	6.4	4.5	3.3	32.0
34.0	8.4	8.9	8.8	9.0	7.9	6.4	4.4	3.3	34.0
36.0	7.6	7.9	7.9	8.6	7.7	6.4	4.2	3.2	36.0
38.0	6.8	7.1	7.2	7.7	7.4	6.4	4.1	3.1	38.0
40.0	6.1	6.4	6.5	7.0	6.7	6.4	4.0	3.1	40.0
42.0	5.5	5.8	5.8	6.3	6.1	6.3	3.9	3.0	42.0
44.0	4.9	5.2	5.3	5.7	5.5	6.1	3.8	3.0	44.0
46.0	4.4	4.7	4.8	5.2	5.0	5.6	3.7	2.9	46.0
48.0	4.0	4.2	4.3	4.7	4.6	5.1	3.6	2.9	48.0
50.0	3.6	3.7	3.9	4.2	4.1	4.6	3.5	2.8	50.0
52.0	3.2	3.3	3.5	3.8	3.7	4.2	3.4	2.8	52.0
54.0	2.8	3.0	3.1	3.4	3.4	3.8	3.3	2.7	54.0
56.0	2.5	2.6	2.8	3.0	3.0	3.4	3.2	2.7	56.0
58.0	2.2	2.3	2.5	2.7	2.7	3.1	2.9	2.7	58.0
60.0	1.9	2.0	2.2	2.4	2.4	2.8	2.6	2.6	60.0
62.0		1.9 /60.6	1.9	2.1	2.1	2.5	2.3	2.6	62.0
64.0				1.9 /63.3	1.9	2.2	2.1	2.5	64.0
66.0						1.9	1.9 /65.6	2.2	66.0
68.0								2.0	68.0
70.0								1.9 /68.6	70.0

63									Unit: ton
Boom length (m)									Boom length (m)
Jib length (m)	10		16		22		28		Jib length (m)
Offset angle (deg)	10	30	10	30	10	30	10	30	Offset angle (deg)
Radius (m)									Radius (m)
16.2	12.0 /16.8								16.2
18.0	12.0	12.0 /19.8	12.0 /18.9						18.0
20.0	12.0	12.0	12.0		8.8 /21.0				20.0
22.0	12.0	12.0	12.0	9.0 /23.7	8.8		5.3 /23.1		22.0
24.0	12.0	12.0	12.0	9.0	8.8		5.2		24.0
26.0	12.0	12.0	12.0	9.0	8.8	6.4 /27.5	5.0		26.0
28.0	11.6	12.0	12.0	9.0	8.6	6.4	4.9		28.0
30.0	10.3	10.9	10.7	9.0	8.4	6.4	4.7	3.4 /31.4	30.0
32.0	9.2	9.7	9.6	9.0	8.2	6.4	4.6	3.4	32.0
34.0	8.2	8.7	8.6	9.0	8.0	6.4	4.4	3.3	34.0
36.0	7.3	7.8	7.7	8.4	7.8	6.4	4.3	3.2	36.0
38.0	6.6	7.0	6.9	7.6	7.2	6.4	4.2	3.2	38.0
40.0	5.9	6.2	6.2	6.8	6.5	6.4	4.0	3.1	40.0
42.0	5.3	5.6	5.6	6.1	5.9	6.4	3.9	3.0	42.0
44.0	4.7	5.0	5.1	5.5	5.3	6.0	3.8	3.0	44.0
46.0	4.2	4.5	4.5	5.0	4.8	5.5	3.7	2.9	46.0
48.0	3.8	4.0	4.1	4.5	4.3	4.9	3.6	2.9	48.0
50.0	3.3	3.5	3.6	4.0	3.9	4.5	3.5	2.8	50.0
52.0	2.9	3.1	3.3	3.6	3.5	4.0	3.5	2.8	52.0
54.0	2.6	2.8	2.9	3.2	3.1	3.6	3.4	2.7	54.0
56.0	2.3	2.4	2.6	2.8	2.8	3.2	3.0	2.7	56.0
58.0	2.0	2.1	2.3	2.5	2.5	2.9	2.7	2.7	58.0
60.0	1.9 /58.6	1.9 /59.3	2.0	2.2	2.2	2.6	2.4	2.7	60.0
62.0			1.9 /60.6	1.9	1.9	2.3	2.1	2.6	62.0
64.0						2.0	1.9 /63.6	2.3	64.0
66.0						1.9 /64.6		2.0	66.0
68.0								1.9 /67.0	68.0

• For notes about the table above, refer to page 20.

■ Main Boom with Crane Jib (With Crane Boom Extensions)



Unit: ton

Boom length (m)	24								Boom length (m)
Jib length (m)	10		16		22		28		Jib length (m)
Offset angle (deg)	10	30	10	30	10	30	10	30	Offset angle (deg)
Radius (m)									Radius (m)
6.3	80.0	80.0	80.0	80.0	80.0	80.0	80.0	80.0	6.3
7.0	80.0	80.0	80.0	80.0	80.0	80.0	80.0	80.0	7.0
8.0	74.3	74.0	73.7	73.2	73.1	72.4	72.5	71.4	8.0
9.0	63.5	63.1	62.8	62.1	62.0	61.0	61.1	59.7	9.0
10.0	54.1	53.8	53.5	52.9	52.7	51.8	51.8	50.6	10.0
12.0	41.4	41.2	40.8	40.4	40.0	39.4	39.2	38.4	12.0
14.0	33.2	33.0	32.6	32.2	31.9	31.4	31.1	30.5	14.0
16.0	27.4	27.3	26.8	26.6	26.1	25.8	25.4	24.9	16.0
18.0	23.1	23.0	22.6	22.4	21.9	21.7	21.2	20.9	18.0
20.0	19.9	19.8	19.3	19.2	18.7	18.5	18.0	17.8	20.0
22.0	17.3	17.2	16.8	16.7	16.1	16.1	15.5	15.4	22.0
24.0	16.9 /22.3	16.9 /22.3	16.4 /22.3	16.4 /22.3	15.8 /22.3	15.7 /22.3	15.1 /22.3	15.1 /22.3	24.0

Unit: ton

Boom length (m)	27								Boom length (m)
Jib length (m)	10		16		22		28		Jib length (m)
Offset angle (deg)	10	30	10	30	10	30	10	30	Offset angle (deg)
Radius (m)									Radius (m)
6.3	80.0 /6.8	80.0 /6.8	80.0 /6.8	80.0 /6.8	80.0 /6.8	80.0 /6.8	80.0 /6.8	80.0 /6.8	6.3
7.0	80.0	80.0	80.0	80.0	80.0	80.0	80.0	80.0	7.0
8.0	74.1	73.8	73.6	73.1	73.0	72.2	72.4	71.3	8.0
9.0	63.5	63.1	62.8	62.1	62.1	61.0	61.2	59.7	9.0
10.0	54.1	53.8	53.5	52.9	52.7	51.8	51.9	50.7	10.0
12.0	41.3	41.1	40.7	40.3	40.0	39.4	39.3	38.4	12.0
14.0	33.1	32.9	32.5	32.2	31.8	31.4	31.1	30.4	14.0
16.0	27.3	27.2	26.7	26.5	26.1	25.7	25.4	24.9	16.0
18.0	23.0	22.9	22.5	22.3	21.9	21.6	21.2	20.8	18.0
20.0	19.8	19.7	19.2	19.1	18.6	18.4	18.0	17.7	20.0
22.0	17.2	17.1	16.7	16.6	16.1	15.9	15.4	15.2	22.0
24.0	15.1	15.0	14.6	14.5	14.0	13.9	13.4	13.3	24.0
26.0	14.3 /24.9	14.2 /24.9	13.8 /24.9	13.7 /24.9	13.2 /24.9	13.1 /24.9	12.6 /24.9	12.5 /24.9	26.0

- The rated loads are determined according to EN13000 rating with the machine on firm level ground.
- The figures surrounded by bold lines are based on factors other than those which would cause a tipping condition.
- To calculate the maximum load that can actually be lifted, deduct weight of all lifting accessories, such as boom hook and jib hook, from figures shown above.
- Working radius is the horizontal distance from the slewing center to the center of gravity of a lifted load.
- The offset angles shown are of jib boom offset angle against the main boom, under load.
- The counter weight is 49.6 ton.
- Correlation between the number of reeved lines, maximum rated loads, hook weights are shown in the table below.

Hook Capacity (t)	Hook Weight (t)	Maximum rated loads (t)						
		7falls	6falls	5falls	4falls	3falls	2falls	1fall
120	1.64	84	72	60	48	36	24	
80	1.35	80	72	60	48	36	24	
35	0.90					35	24	
12	0.51							12

■ Main Boom with Crane Jib (With Crane Boom Extensions)



Unit: ton

Boom length (m)	30								Boom length (m)
Jib length (m)	10		16		22		28		Jib length (m)
Offset angle (deg) Radius (m)	10	30	10	30	10	30	10	30	Offset angle (deg) Radius (m)
7.4	72.0	72.0	72.0	72.0	72.0	72.0 / 7.4	72.0 / 7.4	72.0 / 7.4	7.4
8.0	72.0	72.0	72.0	72.0	72.0	71.2	71.3	69.7	8.0
9.0	63.5	63.1	62.9	62.2	62.2	61.1	61.2	59.8	9.0
10.0	54.1	53.8	53.5	52.9	52.8	51.9	52.0	50.7	10.0
12.0	41.3	41.1	40.8	40.3	40.1	39.4	39.4	38.4	12.0
14.0	33.1	32.9	32.5	32.2	31.9	31.4	31.2	30.5	14.0
16.0	27.3	27.1	26.8	26.5	26.2	25.7	25.5	24.9	16.0
18.0	23.0	22.9	22.5	22.3	21.9	21.6	21.3	20.8	18.0
20.0	19.7	19.6	19.2	19.1	18.7	18.4	18.0	17.7	20.0
22.0	17.1	17.1	16.6	16.5	16.1	15.9	15.5	15.2	22.0
24.0	15.0	15.0	14.5	14.4	14.0	13.9	13.4	13.2	24.0
26.0	13.3	13.2	12.8	12.7	12.3	12.2	11.7	11.6	26.0
28.0	12.2 / 27.5	12.1 / 27.5	11.7 / 27.5	11.7 / 27.5	11.2 / 27.5	11.1 / 27.5	10.6 / 27.5	10.5 / 27.5	28.0

Unit: ton

Boom length (m)	33								Boom length (m)
Jib length (m)	10		16		22		28		Jib length (m)
Offset angle (deg) Radius (m)	10	30	10	30	10	30	10	30	Offset angle (deg) Radius (m)
7.4	72.0 / 7.9	72.0 / 7.9	72.0 / 7.9	72.0 / 7.9	71.9 / 7.9	70.7 / 7.9	70.9 / 7.9	69.2 / 7.9	7.4
8.0	72.0	72.0	71.7	70.9	70.8	69.6	69.7	68.1	8.0
9.0	62.6	62.2	61.8	61.1	61.0	60.0	60.0	58.6	9.0
10.0	54.0	53.7	53.4	52.8	52.8	51.8	52.0	50.7	10.0
12.0	41.3	41.0	40.7	40.2	40.1	39.3	39.3	38.4	12.0
14.0	33.0	32.8	32.4	32.1	31.8	31.3	31.2	30.4	14.0
16.0	27.2	27.0	26.7	26.4	26.1	25.6	25.4	24.8	16.0
18.0	22.9	22.8	22.4	22.2	21.8	21.5	21.2	20.7	18.0
20.0	19.6	19.5	19.1	18.9	18.6	18.3	18.0	17.6	20.0
22.0	17.0	16.9	16.5	16.4	16.0	15.8	15.4	15.1	22.0
24.0	14.9	14.8	14.4	14.3	13.9	13.7	13.3	13.1	24.0
26.0	13.2	13.1	12.7	12.6	12.2	12.1	11.6	11.4	26.0
28.0	11.7	11.7	11.3	11.2	10.8	10.7	10.2	10.1	28.0
30.0	10.5	10.4	10.0	10.0	9.5	9.5	9.0	8.9	30.0
32.0	10.4 / 30.1	10.4 / 30.1	10.0 / 30.1	9.9 / 30.1	9.5 / 30.1	9.4 / 30.1	8.9 / 30.1	8.9 / 30.1	32.0

• For notes about the table above, refer to page 27.

■ Main Boom with Crane Jib (With Crane Boom Extensions)



Unit: ton

Boom length (m)	36								Boom length (m)
Jib length (m)	10		16		22		28		Jib length (m)
Offset angle (deg) Radius (m)	10	30	10	30	10	30	10	30	Offset angle (deg) Radius (m)
8.5	60.0	60.0	60.0	60.0	60.0	60.0	60.0	60.0	8.5
9.0	60.0	60.0	60.0	59.8	59.6	58.6	58.7	57.3	9.0
10.0	53.7	53.4	53.1	52.5	52.3	51.4	51.4	50.2	10.0
12.0	41.2	40.9	40.6	40.1	40.0	39.3	39.3	38.3	12.0
14.0	32.9	32.7	32.4	32.0	31.8	31.2	31.1	30.3	14.0
16.0	27.1	26.9	26.6	26.3	26.0	25.6	25.4	24.8	16.0
18.0	22.8	22.7	22.3	22.1	21.8	21.4	21.2	20.6	18.0
20.0	19.5	19.4	19.0	18.8	18.5	18.2	17.9	17.5	20.0
22.0	16.9	16.8	16.4	16.3	15.9	15.6	15.3	15.0	22.0
24.0	14.8	14.7	14.3	14.2	13.8	13.6	13.2	13.0	24.0
26.0	13.0	13.0	12.6	12.5	12.1	11.9	11.5	11.3	26.0
28.0	11.6	11.5	11.1	11.0	10.6	10.5	10.1	9.9	28.0
30.0	10.3	10.3	9.9	9.8	9.4	9.3	8.9	8.7	30.0
32.0	9.2	9.2	8.8	8.8	8.3	8.3	7.8	7.7	32.0
34.0	8.9 /32.7	8.9 /32.7	8.5 /32.7	8.4 /32.7	8.0 /32.7	7.9 /32.7	7.5 /32.7	7.4 /32.7	34.0

Unit: ton

Boom length (m)	39								Boom length (m)
Jib length (m)	10		16		22		28		Jib length (m)
Offset angle (deg) Radius (m)	10	30	10	30	10	30	10	30	Offset angle (deg) Radius (m)
9.0	59.9	59.5	59.2	58.5	58.4	57.4	57.5	56.1	9.0
10.0	52.7	52.4	52.0	51.5	51.3	50.4	50.4	49.2	10.0
12.0	41.1	40.8	40.5	40.0	39.9	39.2	39.3	38.2	12.0
14.0	32.8	32.5	32.3	31.9	31.7	31.1	31.1	30.2	14.0
16.0	27.0	26.8	26.5	26.1	25.9	25.4	25.3	24.7	16.0
18.0	22.7	22.5	22.2	21.9	21.7	21.3	21.1	20.5	18.0
20.0	19.4	19.2	18.9	18.7	18.4	18.1	17.8	17.4	20.0
22.0	16.8	16.7	16.3	16.1	15.8	15.5	15.2	14.9	22.0
24.0	14.6	14.5	14.2	14.0	13.7	13.5	13.1	12.8	24.0
26.0	12.9	12.8	12.4	12.3	12.0	11.8	11.4	11.2	26.0
28.0	11.4	11.4	11.0	10.9	10.5	10.3	10.0	9.8	28.0
30.0	10.2	10.1	9.7	9.7	9.3	9.1	8.7	8.6	30.0
32.0	9.1	9.0	8.7	8.6	8.2	8.1	7.7	7.6	32.0
34.0	8.2	8.1	7.7	7.7	7.3	7.2	6.8	6.7	34.0
36.0	7.6 /35.3	7.6 /35.3	7.2 /35.3	7.2 /35.3	6.8 /35.3	6.7 /35.3	6.3 /35.3	6.2 /35.3	36.0

• For notes about the table above, refer to page 27.

■ Main Boom with Crane Jib (With Crane Boom Extensions)



Unit: ton

Boom length (m)	42								Boom length (m)
Jib length (m)	10		16		22		28		Jib length (m)
Offset angle (deg) Radius (m)	10	30	10	30	10	30	10	30	Offset angle (deg) Radius (m)
9.6	48.0	48.0	48.0	48.0	48.0	48.0	48.0	48.0	9.6
10.0	48.0	48.0	48.0	48.0	48.0	48.0	48.0	48.0	10.0
12.0	41.0	40.7	40.5	40.0	39.9	39.2	39.3	38.2	12.0
14.0	32.7	32.5	32.2	31.8	31.7	31.1	31.1	30.2	14.0
16.0	26.9	26.7	26.4	26.1	25.9	25.4	25.3	24.6	16.0
18.0	22.6	22.5	22.2	21.9	21.6	21.2	21.1	20.5	18.0
20.0	19.3	19.2	18.9	18.6	18.4	18.0	17.8	17.3	20.0
22.0	16.7	16.6	16.3	16.1	15.8	15.5	15.2	14.8	22.0
24.0	14.6	14.5	14.1	14.0	13.6	13.4	13.1	12.8	24.0
26.0	12.8	12.7	12.4	12.2	11.9	11.7	11.4	11.1	26.0
28.0	11.3	11.3	10.9	10.8	10.4	10.3	9.9	9.7	28.0
30.0	10.1	10.0	9.7	9.6	9.2	9.1	8.7	8.5	30.0
32.0	9.0	8.9	8.6	8.5	8.1	8.0	7.6	7.5	32.0
34.0	8.1	8.0	7.6	7.6	7.2	7.1	6.7	6.6	34.0
36.0	7.2	7.2	6.8	6.8	6.4	6.3	5.9	5.8	36.0
38.0	6.5 /37.9	6.5 /37.9	6.1 /37.9	6.1 /37.9	5.7 /37.9	5.7 /37.9	5.2 /37.9	5.2 /37.9	38.0

Unit: ton

Boom length (m)	45								Boom length (m)
Jib length (m)	10		16		22		28		Jib length (m)
Offset angle (deg) Radius (m)	10	30	10	30	10	30	10	30	Offset angle (deg) Radius (m)
10.0	48.0 /10.1	48.0 /10.1	48.0 /10.1	48.0 /10.1	48.0 /10.1	47.7 /10.1	47.8 /10.1	46.6 /10.1	10.0
12.0	40.6	40.3	40.0	39.5	39.3	38.6	38.5	37.5	12.0
14.0	32.6	32.3	32.1	31.7	31.5	30.9	30.9	30.1	14.0
16.0	26.7	26.5	26.3	25.9	25.7	25.2	25.2	24.5	16.0
18.0	22.4	22.3	22.0	21.7	21.5	21.0	20.9	20.3	18.0
20.0	19.1	19.0	18.7	18.4	18.2	17.8	17.6	17.1	20.0
22.0	16.5	16.4	16.1	15.8	15.6	15.3	15.0	14.6	22.0
24.0	14.4	14.3	13.9	13.8	13.5	13.2	12.9	12.6	24.0
26.0	12.6	12.5	12.2	12.0	11.7	11.5	11.2	10.9	26.0
28.0	11.1	11.0	10.7	10.6	10.2	10.1	9.7	9.5	28.0
30.0	9.9	9.8	9.5	9.3	9.0	8.8	8.5	8.3	30.0
32.0	8.8	8.7	8.4	8.3	7.9	7.8	7.4	7.3	32.0
34.0	7.8	7.8	7.4	7.4	7.0	6.9	6.5	6.4	34.0
36.0	7.0	7.0	6.6	6.5	6.2	6.1	5.7	5.6	36.0
38.0	6.3	6.2	5.9	5.8	5.5	5.4	5.0	4.9	38.0
40.0	5.6	5.6	5.2	5.2	4.8	4.8	4.4	4.3	40.0
42.0	5.5 /40.5	5.5 /40.5	5.1 /40.5	5.1 /40.5	4.7 /40.5	4.6 /40.5	4.2 /40.5	4.2 /40.5	42.0

• For notes about the table above, refer to page 27.

■ Main Boom with Crane Jib (With Crane Boom Extensions)



Unit: ton

Boom length (m)	48								Boom length (m)
Jib length (m)	10		16		22		28		Jib length (m)
Offset angle (deg) Radius (m)	10	30	10	30	10	30	10	30	Offset angle (deg) Radius (m)
10.6	36.0	36.0	36.0	36.0	36.0	36.0	36.0	36.0	10.6
12.0	36.0	36.0	36.0	36.0	36.0	36.0	36.0	36.0	12.0
14.0	32.5	32.3	32.0	31.6	31.5	30.9	30.9	30.0	14.0
16.0	26.7	26.5	26.2	25.9	25.7	25.2	25.2	24.4	16.0
18.0	22.4	22.2	21.9	21.6	21.4	21.0	20.9	20.3	18.0
20.0	19.1	18.9	18.6	18.4	18.1	17.8	17.6	17.1	20.0
22.0	16.4	16.3	16.0	15.8	15.5	15.2	15.0	14.6	22.0
24.0	14.3	14.2	13.9	13.7	13.4	13.1	12.9	12.5	24.0
26.0	12.5	12.4	12.1	12.0	11.7	11.4	11.2	10.8	26.0
28.0	11.1	11.0	10.6	10.5	10.2	10.0	9.7	9.4	28.0
30.0	9.8	9.7	9.4	9.3	8.9	8.8	8.5	8.2	30.0
32.0	8.7	8.6	8.3	8.2	7.9	7.7	7.4	7.2	32.0
34.0	7.8	7.7	7.4	7.3	6.9	6.8	6.4	6.3	34.0
36.0	6.9	6.9	6.5	6.4	6.1	6.0	5.6	5.5	36.0
38.0	6.2	6.1	5.8	5.7	5.4	5.3	4.9	4.8	38.0
40.0	5.5	5.5	5.1	5.1	4.7	4.7	4.3	4.2	40.0
42.0	4.9	4.9	4.6	4.5	4.2	4.1	3.7	3.6	42.0
44.0	4.7 /43.1	4.6 /43.1	4.3 /43.1	4.2 /43.1	3.9 /43.1	3.8 /43.1	3.4 /43.1	3.4 /43.1	44.0

Unit: ton

Boom length (m)	51								Boom length (m)
Jib length (m)	10		16		22		28		Jib length (m)
Offset angle (deg) Radius (m)	10	30	10	30	10	30	10	30	Offset angle (deg) Radius (m)
10.6	36.0 /11.2	36.0 /11.2	36.0 /11.2	36.0 /11.2	36.0 /11.2	36.0 /11.2	36.0 /11.2	36.0 /11.2	10.6
12.0	36.0	36.0	36.0	36.0	36.0	36.0	36.0	36.0	12.0
14.0	32.3	32.1	31.7	31.3	31.1	30.5	30.4	29.6	14.0
16.0	26.5	26.3	26.1	25.7	25.6	25.0	25.0	24.3	16.0
18.0	22.2	22.1	21.8	21.5	21.3	20.8	20.8	20.1	18.0
20.0	18.9	18.8	18.5	18.2	18.0	17.6	17.5	17.0	20.0
22.0	16.3	16.2	15.9	15.6	15.4	15.1	14.9	14.4	22.0
24.0	14.2	14.0	13.7	13.5	13.3	13.0	12.8	12.4	24.0
26.0	12.4	12.3	12.0	11.8	11.5	11.3	11.0	10.7	26.0
28.0	10.9	10.8	10.5	10.3	10.0	9.8	9.6	9.3	28.0
30.0	9.6	9.5	9.2	9.1	8.8	8.6	8.3	8.1	30.0
32.0	8.5	8.5	8.1	8.0	7.7	7.5	7.2	7.0	32.0
34.0	7.6	7.5	7.2	7.1	6.8	6.6	6.3	6.1	34.0
36.0	6.8	6.7	6.4	6.3	5.9	5.8	5.5	5.3	36.0
38.0	6.0	6.0	5.6	5.6	5.2	5.1	4.8	4.6	38.0
40.0	5.4	5.3	5.0	4.9	4.6	4.5	4.1	4.0	40.0
42.0	4.8	4.7	4.4	4.3	4.0	3.9	3.5	3.5	42.0
44.0	4.2	4.2	3.9	3.8	3.5	3.4	3.0	3.0	44.0
46.0	3.8 /45.7	3.8 /45.7	3.5 /45.7	3.4 /45.7	3.1 /45.7	3.0 /45.7	2.6 /45.7	2.6 /45.7	46.0

• For notes about the table above, refer to page 27.

■ Main Boom with Crane Jib (With Crane Boom Extensions)



Unit: ton

Boom length (m)	54								Boom length (m)
Jib length (m)	10		16		22		28		Jib length (m)
Offset angle (deg) Radius (m)	10	30	10	30	10	30	10	30	Offset angle (deg) Radius (m)
11.7	36.0	36.0	36.0	36.0	36.0	36.0	36.0	35.7	11.7
12.0	36.0	36.0	36.0	36.0	36.0	36.0	35.6	35.3	12.0
14.0	31.6	31.4	31.1	30.7	30.5	29.9	29.8	29.0	14.0
16.0	26.4	26.1	25.9	25.5	25.4	24.9	24.9	24.1	16.0
18.0	22.0	21.9	21.6	21.3	21.1	20.7	20.6	20.0	18.0
20.0	18.7	18.6	18.3	18.0	17.8	17.4	17.3	16.8	20.0
22.0	16.1	15.9	15.7	15.4	15.2	14.9	14.7	14.2	22.0
24.0	13.9	13.8	13.5	13.3	13.1	12.8	12.6	12.2	24.0
26.0	12.2	12.1	11.8	11.6	11.3	11.1	10.8	10.5	26.0
28.0	10.7	10.6	10.3	10.1	9.8	9.6	9.4	9.1	28.0
30.0	9.4	9.3	9.0	8.9	8.6	8.4	8.1	7.8	30.0
32.0	8.3	8.2	7.9	7.8	7.5	7.3	7.0	6.8	32.0
34.0	7.4	7.3	7.0	6.9	6.6	6.4	6.1	5.9	34.0
36.0	6.5	6.5	6.1	6.1	5.7	5.6	5.3	5.1	36.0
38.0	5.8	5.7	5.4	5.3	5.0	4.9	4.5	4.4	38.0
40.0	5.1	5.1	4.8	4.7	4.3	4.2	3.9	3.8	40.0
42.0	4.5	4.5	4.2	4.1	3.8	3.7	3.3	3.2	42.0
44.0	4.0	4.0	3.6	3.6	3.2	3.2	2.8	2.7	44.0
46.0	3.5	3.5	3.2	3.1	2.8	2.7	2.4	2.3	46.0
48.0	3.1	3.1	2.7	2.7	2.4	2.3	1.9	1.9	48.0
50.0	3.0 /48.3	3.0 /48.3	2.7 /48.3	2.7 /48.3	2.3 /48.3	2.3 /48.3	1.9 /48.3		50.0

Unit: ton

Boom length (m)	57								Boom length (m)
Jib length (m)	10		16		22		28		Jib length (m)
Offset angle (deg) Radius (m)	10	30	10	30	10	30	10	30	Offset angle (deg) Radius (m)
12.0	35.2 /12.3	35.2 /12.3	34.2 /12.3	34.1 /12.3	33.0 /12.3	32.9 /12.3	31.7 /12.3	31.5 /12.3	12.0
14.0	31.0	30.8	30.5	30.1	29.9	29.3	29.2	28.4	14.0
16.0	26.2	26.0	25.7	25.3	25.1	24.6	24.5	23.8	16.0
18.0	21.9	21.7	21.4	21.1	21.0	20.5	20.5	19.8	18.0
20.0	18.6	18.4	18.1	17.9	17.7	17.3	17.2	16.6	20.0
22.0	15.9	15.8	15.5	15.3	15.1	14.7	14.6	14.1	22.0
24.0	13.8	13.7	13.4	13.2	12.9	12.6	12.4	12.0	24.0
26.0	12.0	11.9	11.6	11.4	11.2	10.9	10.7	10.3	26.0
28.0	10.5	10.4	10.1	10.0	9.7	9.4	9.2	8.9	28.0
30.0	9.2	9.2	8.9	8.7	8.4	8.2	8.0	7.7	30.0
32.0	8.2	8.1	7.8	7.6	7.3	7.2	6.9	6.6	32.0
34.0	7.2	7.1	6.8	6.7	6.4	6.2	5.9	5.7	34.0
36.0	6.4	6.3	6.0	5.9	5.6	5.4	5.1	4.9	36.0
38.0	5.6	5.6	5.2	5.1	4.8	4.7	4.4	4.2	38.0
40.0	5.0	4.9	4.6	4.5	4.2	4.1	3.7	3.6	40.0
42.0	4.4	4.3	4.0	3.9	3.6	3.5	3.2	3.0	42.0
44.0	3.8	3.8	3.5	3.4	3.1	3.0	2.6	2.5	44.0
46.0	3.4	3.3	3.0	2.9	2.6	2.5	2.2	2.1	46.0
48.0	2.9	2.9	2.6	2.5	2.2	2.1	1.9 /47.5	1.9 /47.0	48.0
50.0	2.5	2.5	2.2	2.1	1.9 /49.5	1.9 /49.3			50.0
52.0	2.4 /50.9	2.3 /50.9	2.0 /50.9	2.0 /50.9					52.0

• For notes about the table above, refer to page 27.

■ Main Boom with Crane Jib (With Crane Boom Extensions)



Unit: ton

Boom length (m)	60								Boom length (m)
Jib length (m)	10		16		22		28		Jib length (m)
Offset angle (deg)	10	30	10	30	10	30	10	30	Offset angle (deg)
Radius (m)									Radius (m)
12.9	24.0	24.0	24.0	24.0	24.0	24.0	24.0	24.0	12.9
14.0	24.0	24.0	24.0	24.0	24.0	24.0	24.0	24.0	14.0
16.0	24.0	24.0	24.0	24.0	24.0	24.0	23.9	23.2	16.0
18.0	21.9	21.7	21.4	21.1	20.9	20.5	20.3	19.7	18.0
20.0	18.5	18.4	18.1	17.8	17.7	17.2	17.2	16.6	20.0
22.0	15.9	15.7	15.5	15.2	15.0	14.7	14.5	14.0	22.0
24.0	13.7	13.6	13.3	13.1	12.9	12.6	12.4	12.0	24.0
26.0	12.0	11.8	11.6	11.4	11.1	10.8	10.7	10.3	26.0
28.0	10.5	10.4	10.1	9.9	9.6	9.4	9.2	8.8	28.0
30.0	9.2	9.1	8.8	8.6	8.4	8.1	7.9	7.6	30.0
32.0	8.1	8.0	7.7	7.6	7.3	7.1	6.8	6.6	32.0
34.0	7.1	7.0	6.7	6.6	6.3	6.1	5.9	5.6	34.0
36.0	6.3	6.2	5.9	5.8	5.5	5.3	5.0	4.8	36.0
38.0	5.5	5.5	5.1	5.0	4.7	4.6	4.3	4.1	38.0
40.0	4.9	4.8	4.5	4.4	4.1	4.0	3.7	3.5	40.0
42.0	4.3	4.2	3.9	3.8	3.5	3.4	3.1	2.9	42.0
44.0	3.7	3.7	3.4	3.3	3.0	2.9	2.5	2.4	44.0
46.0	3.2	3.2	2.9	2.8	2.5	2.4	2.1	2.0	46.0
48.0	2.8	2.8	2.4	2.4	2.0	2.0	1.9 /46.8	1.9 /46.5	48.0
50.0	2.4	2.4	2.0	2.0	1.9 /48.6	1.9 /48.5			50.0
52.0	2.0	2.0	1.9 /50.6	1.9 /50.5					52.0
54.0	1.9 /52.6	1.9 /52.6							54.0

Unit: ton

Boom length (m)	63								Boom length (m)
Jib length (m)	10		16		22		28		Jib length (m)
Offset angle (deg)	10	30	10	30	10	30	10	30	Offset angle (deg)
Radius (m)									Radius (m)
12.9	24.0 /13.5	24.0 /13.5	24.0 /13.5	24.0 /13.5	24.0 /13.5	24.0 /13.5	23.8 /13.5	23.6 /13.5	12.9
14.0	24.0	24.0	24.0	24.0	24.0	24.0	23.4	23.2	14.0
16.0	24.0	24.0	23.6	23.6	22.7	22.7	21.7	21.6	16.0
18.0	21.5	21.3	21.0	20.7	20.4	20.0	19.8	19.2	18.0
20.0	18.3	18.2	17.9	17.6	17.5	17.1	17.0	16.4	20.0
22.0	15.7	15.5	15.3	15.0	14.8	14.5	14.4	13.9	22.0
24.0	13.5	13.4	13.1	12.9	12.7	12.4	12.2	11.8	24.0
26.0	11.7	11.6	11.4	11.2	10.9	10.6	10.5	10.1	26.0
28.0	10.2	10.1	9.9	9.7	9.4	9.2	9.0	8.6	28.0
30.0	9.0	8.9	8.6	8.4	8.2	7.9	7.7	7.4	30.0
32.0	7.9	7.8	7.5	7.3	7.1	6.9	6.6	6.3	32.0
34.0	6.9	6.8	6.5	6.4	6.1	5.9	5.7	5.4	34.0
36.0	6.1	6.0	5.7	5.6	5.3	5.1	4.8	4.6	36.0
38.0	5.3	5.2	4.9	4.8	4.5	4.4	4.1	3.9	38.0
40.0	4.6	4.6	4.3	4.2	3.9	3.7	3.4	3.3	40.0
42.0	4.0	4.0	3.7	3.6	3.3	3.2	2.9	2.7	42.0
44.0	3.5	3.4	3.1	3.1	2.7	2.6	2.3	2.2	44.0
46.0	3.0	3.0	2.7	2.6	2.3	2.2	1.9 /45.6	1.9 /45.2	46.0
48.0	2.6	2.5	2.2	2.2	1.9 /47.6	1.9 /47.5			48.0
50.0	2.2	2.1	1.9 /49.5	1.9 /49.5					50.0
52.0	1.9 /51.5	1.9 /51.3							52.0

• For notes about the table above, refer to page 27.

■ Main Boom (Using Third Winch) (With Crane Boom Extensions)



Working Radius (m)	Boom length (m)											Unit: ton
	15	18	21	24	27	30	33	36	39	42	45	Working Radius (m)
4.6	120.0											4.6
5.0	120.4	108.0 / 5.2										5.0
5.5	109.9	108.0	84.0 / 5.7									5.5
6.0	101.1	100.9	84.0	72.0 / 6.3	72.0 / 6.8							6.0
7.0	87.0	86.8	84.0	72.0	72.0	60.0 / 7.4	48.0 / 7.9					7.0
8.0	76.3	76.1	75.9	72.0	72.0	60.0	48.0	48.0 / 8.5				8.0
9.0	64.8	64.8	64.8	64.8	64.8	60.0	48.0	48.0	48.0	36.0 / 9.6		9.0
10.0	55.4	55.5	55.4	55.4	55.4	55.4	48.0	48.0	48.0	36.0 / 10.1		10.0
12.0	42.7	42.8	42.7	42.7	42.6	42.6	42.5	42.4	42.3	36.0	36.0	12.0
14.0	34.5	34.5	34.5	34.5	34.4	34.4	34.2	34.1	34.0	34.0	33.8	14.0
16.0	32.9 / 14.5	28.8	28.7	28.7	28.6	28.6	28.5	28.3	28.2	28.2	28.0	16.0
18.0		26.3 / 17.1	24.5	24.5	24.3	24.3	24.2	24.1	23.9	23.9	23.7	18.0
20.0			21.6 / 19.7	21.2	21.1	21.0	20.9	20.8	20.6	20.6	20.4	20.0
22.0				18.6	18.5	18.4	18.3	18.1	18.0	17.9	17.7	22.0
24.0				18.3 / 22.3	16.4	16.3	16.2	16.0	15.9	15.8	15.6	24.0
26.0					15.5 / 24.9	14.6	14.4	14.3	14.1	14.1	13.8	26.0
28.0						13.4 / 27.5	13.0	12.8	12.7	12.6	12.4	28.0
30.0							11.7	11.5	11.4	11.3	11.1	30.0
32.0							11.7 / 30.1	10.5	10.3	10.2	10.0	32.0
34.0								10.1 / 32.7	9.4	9.3	9.1	34.0
36.0									8.8 / 35.3	8.4	8.2	36.0
38.0										7.7 / 37.9	7.5	38.0
40.0											6.8	40.0
42.0											6.7 / 40.5	42.0

Working Radius (m)	Boom length (m)						Unit: ton
	48	51	54	57	60	63	Working Radius (m)
10.0	36.0 / 10.6	24.0 / 11.2	24.0 / 11.7				10.0
12.0	36.0	24.0	24.0	24.0 / 12.3	24.0 / 12.9	24.0 / 13.5	12.0
14.0	33.7	24.0	24.0	24.0	24.0	24.0	14.0
16.0	27.9	24.0	24.0	24.0	24.0	24.0	16.0
18.0	23.6	23.5	23.3	23.1	22.9	22.4	18.0
20.0	20.3	20.2	20.0	19.8	19.8	19.6	20.0
22.0	17.7	17.5	17.3	17.2	17.1	16.9	22.0
24.0	15.5	15.4	15.2	15.0	15.0	14.8	24.0
26.0	13.8	13.6	13.4	13.3	13.2	13.0	26.0
28.0	12.3	12.1	11.9	11.8	11.7	11.5	28.0
30.0	11.0	10.9	10.7	10.5	10.4	10.2	30.0
32.0	9.9	9.8	9.6	9.4	9.3	9.1	32.0
34.0	9.0	8.8	8.6	8.4	8.4	8.1	34.0
36.0	8.1	8.0	7.8	7.6	7.5	7.3	36.0
38.0	7.4	7.2	7.0	6.8	6.8	6.5	38.0
40.0	6.7	6.6	6.3	6.2	6.1	5.9	40.0
42.0	6.1	6.0	5.8	5.6	5.5	5.3	42.0
44.0	5.8 / 43.1	5.4	5.2	5.0	4.9	4.7	44.0
46.0		5.0 / 45.7	4.7	4.6	4.5	4.2	46.0
48.0			4.3	4.1	4.0	3.8	48.0
50.0			4.2 / 48.3	3.7	3.6	3.4	50.0
52.0				3.6 / 50.9	3.2	3.0	52.0
54.0					3.0 / 53.2	2.7	54.0
56.0						2.4 / 55.8	56.0

1. The rated loads are determined according to EN13000 rating with the machine on firm level ground.
2. The figures surrounded by bold lines are based on factors other than those which would cause a tipping condition.
3. To calculate the maximum load that can actually be lifted, deduct weight of all lifting accessories, such as boom hook and jib hook, from figures shown above.
4. Working radius is the horizontal distance from the slewing center to the center of gravity of a lifted load.
5. The counter weight is 49.6 ton.
6. Correlation between the number of reeved lines, maximum rated loads, hook weights are shown in the table below.
7. Cannot be used with 1 fall.

Hook Capacity (t)	Hook Weight (t)	Maximum rated loads (t)									
		10falls	9falls	8falls	7falls	6falls	5falls	4falls	3falls	2falls	
120	1.64	120	108	96	84	72	60	48	36	24	
80	1.35				80	72	60	48	36	24	
35	0.90							35	24		

■ Main Boom with Aux. Sheave (Using Third Winch) (With Crane Boom Extensions)



Radius (m)	Boom length (m)											Radius (m)
	15	18	21	24	27	30	33	36	39	42	45	
4.6	120.0											4.6
5.0	119.5	108.0 / 5.2										5.0
5.5	109.1	108.0	84.0 / 5.7									5.5
6.0	100.2	100.0	84.0	72.0 / 6.3	72.0 / 6.8							6.0
7.0	86.2	86.0	84.0	72.0	72.0	60.0 / 7.4	48.0 / 7.9					7.0
8.0	75.4	75.2	75.1	72.0	72.0	60.0	48.0	48.0 / 8.5				8.0
9.0	64.4	64.4	64.4	64.4	64.3	60.0	48.0	48.0	48.0	36.0 / 9.6		9.0
10.0	55.0	55.1	55.0	55.0	55.0	54.9	48.0	48.0	48.0	36.0	36.0 / 10.1	10.0
12.0	42.4	42.4	42.3	42.3	42.2	42.2	42.1	42.0	41.9	36.0	36.0	12.0
14.0	34.2	34.2	34.1	34.1	34.0	34.0	33.8	33.7	33.6	33.5	33.3	14.0
16.0	32.6 / 14.5	28.4	28.4	28.4	28.2	28.2	28.1	27.9	27.8	27.7	27.5	16.0
18.0		26.0 / 17.1	24.1	24.1	24.0	23.9	23.8	23.7	23.5	23.4	23.2	18.0
20.0			21.3 / 19.7	20.8	20.7	20.6	20.5	20.4	20.2	20.1	19.9	20.0
22.0				18.3	18.1	18.0	17.9	17.8	17.6	17.5	17.3	22.0
24.0				17.9 / 22.3	16.0	15.9	15.8	15.6	15.5	15.4	15.2	24.0
26.0					15.2 / 24.9	14.2	14.1	13.9	13.7	13.7	13.4	26.0
28.0						13.1 / 27.5	12.6	12.4	12.3	12.2	12.0	28.0
30.0							11.4	11.2	11.0	10.9	10.7	30.0
32.0							11.3 / 30.1	10.1	10.0	9.8	9.6	32.0
34.0								9.8 / 32.7	9.0	8.9	8.7	34.0
36.0									8.5 / 35.3	8.1	7.8	36.0
38.0										7.4 / 37.9	7.1	38.0
40.0											6.5	40.0
42.0											6.3 / 40.5	42.0

Radius (m)	Boom length (m)						Radius (m)
	48	51	54	57	60	63	
10.0	36.0 / 10.6	24.0 / 11.2	24.0 / 11.7				10.0
12.0	36.0	24.0	24.0	24.0 / 12.3	24.0 / 12.9	24.0 / 13.5	12.0
14.0	33.3	24.0	24.0	24.0	24.0	24.0	14.0
16.0	27.5	24.0	24.0	24.0	24.0	24.0	16.0
18.0	23.2	23.0	22.8	22.6	22.2	21.6	18.0
20.0	19.9	19.7	19.5	19.3	19.3	18.8	20.0
22.0	17.2	17.1	16.9	16.7	16.7	16.4	22.0
24.0	15.1	15.0	14.7	14.6	14.5	14.3	24.0
26.0	13.4	13.2	13.0	12.8	12.7	12.5	26.0
28.0	11.9	11.7	11.5	11.3	11.2	11.0	28.0
30.0	10.6	10.4	10.2	10.0	10.0	9.7	30.0
32.0	9.5	9.3	9.1	8.9	8.9	8.6	32.0
34.0	8.6	8.4	8.2	8.0	7.9	7.7	34.0
36.0	7.7	7.6	7.3	7.2	7.1	6.8	36.0
38.0	7.0	6.8	6.6	6.4	6.3	6.1	38.0
40.0	6.4	6.2	5.9	5.8	5.6	5.4	40.0
42.0	5.8	5.6	5.3	5.2	5.1	4.8	42.0
44.0	5.5 / 43.1	5.1	4.8	4.6	4.5	4.3	44.0
46.0		4.7 / 45.7	4.3	4.2	4.0	3.8	46.0
48.0			3.9	3.7	3.6	3.4	48.0
50.0			3.9 / 48.3	3.3	3.2	3.0	50.0
52.0				3.2 / 50.9	2.8	2.6	52.0
54.0					2.6 / 53.2	2.2	54.0
56.0						2.0 / 55.8	56.0

1. The rated loads are determined according to EN13000 rating with the machine on firm level ground.
2. The figures surrounded by bold lines are based on factors other than those which would cause a tipping condition.
3. To calculate the maximum load that can actually be lifted, deduct weight of all lifting accessories, such as boom hook and jib hook, from figures shown above.
4. Working radius is the horizontal distance from the slewing center to the center of gravity of a lifted load.
5. The counter weight is 49.6 ton.
6. Correlation between the number of reeved lines, maximum rated loads, hook weights are shown in the table below.
7. Cannot be used with 1 fall.

Hook Capacity (t)	Hook Weight (t)	Maximum rated loads (t)								
		10falls	9falls	8falls	7falls	6falls	5falls	4falls	3falls	2falls
120	1.64	120	108	96	84	72	60	48	36	24
80	1.35				80	72	60	48	36	24
35	0.90							35	24	

■ Main Boom (With Tower Boom Extensions)



Working Radius(m)	Boom length (m)											Unit: ton
	15	18	21	24	27	30	33	36	39	42	45	Working Radius(m)
4.6	120.0											4.6
5.0	120.0	115.8 /5.2										5.0
5.5	109.9	109.7	105.9 /5.7									5.5
6.0	101.1	100.9	100.7	95.9 /6.3	84.0 /6.8							6.0
7.0	87.0	86.8	86.7	86.5	84.0	72.0 /7.4	72.0 /7.9					7.0
8.0	76.3	76.1	75.9	75.8	75.6	72.0	72.0	60.0 /8.5				8.0
9.0	64.8	64.8	64.8	64.8	64.7	64.7	63.6	60.0	60.0	48.0 /9.6		9.0
10.0	55.4	55.5	55.4	55.4	55.3	55.2	55.2	54.8	53.5	48.0	48.0 /10.1	10.0
12.0	42.7	42.8	42.7	42.7	42.6	42.5	42.4	42.3	42.1	42.1	41.4	12.0
14.0	34.5	34.5	34.5	34.4	34.3	34.2	34.2	34.0	33.8	33.8	33.6	14.0
16.0	32.9 /14.5	28.8	28.7	28.7	28.6	28.4	28.4	28.2	28.0	28.0	27.8	16.0
18.0		26.3 /17.1	24.5	24.4	24.3	24.2	24.1	23.9	23.7	23.7	23.5	18.0
20.0			21.6 /19.7	21.2	21.0	20.9	20.8	20.6	20.4	20.4	20.2	20.0
22.0				18.6	18.4	18.3	18.2	18.0	17.8	17.8	17.5	22.0
24.0				18.2 /22.3	16.3	16.2	16.1	15.9	15.7	15.6	15.4	24.0
26.0					15.5 /24.9	14.4	14.3	14.1	13.9	13.9	13.6	26.0
28.0						13.3 /27.5	12.9	12.7	12.4	12.4	12.2	28.0
30.0							11.6	11.4	11.2	11.1	10.9	30.0
32.0							11.6 /30.1	10.3	10.1	10.0	9.8	32.0
34.0								10.0 /32.7	9.2	9.1	8.8	34.0
36.0									8.6 /35.3	8.3	8.0	36.0
38.0										7.6 /37.9	7.3	38.0
40.0											6.6	40.0
42.0											6.5 /40.5	42.0

Working Radius(m)	Boom length (m)										Unit: ton
	48	51	54	57	60	63	66	69	72	75	Working Radius(m)
10.0	36.0 /10.6	36.0 /11.2	36.0 /11.7								10.0
12.0	36.0	36.0	36.0	36.0 /12.3	24.0 /12.9	24.0 /13.5					12.0
14.0	33.6	33.1	32.4	31.7	24.0	24.0	24.0	24.0 /14.5	23.5 /15.1	21.0 /15.6	14.0
16.0	27.8	27.7	27.4	27.0	24.0	24.0	24.0	24.0	23.1	20.8	16.0
18.0	23.5	23.3	23.1	23.0	22.8	22.2	21.7	21.2	20.5	20.0	18.0
20.0	20.1	20.0	19.8	19.7	19.7	19.4	18.9	18.4	17.9	17.4	20.0
22.0	17.5	17.4	17.2	17.0	17.0	16.8	16.7	16.2	15.7	15.2	22.0
24.0	15.4	15.3	15.0	14.9	14.9	14.6	14.5	14.3	13.9	13.4	24.0
26.0	13.6	13.5	13.2	13.1	13.1	12.9	12.7	12.6	12.3	11.9	26.0
28.0	12.1	12.0	11.8	11.6	11.6	11.4	11.2	11.1	10.8	10.6	28.0
30.0	10.9	10.7	10.5	10.3	10.3	10.1	9.9	9.8	9.5	9.4	30.0
32.0	9.8	9.6	9.4	9.2	9.2	9.0	8.8	8.7	8.4	8.3	32.0
34.0	8.8	8.7	8.4	8.3	8.2	8.0	7.9	7.7	7.5	7.3	34.0
36.0	8.0	7.8	7.6	7.4	7.4	7.2	7.0	6.8	6.6	6.4	36.0
38.0	7.2	7.1	6.8	6.7	6.6	6.4	6.3	6.1	5.9	5.7	38.0
40.0	6.6	6.4	6.2	6.0	6.0	5.7	5.6	5.4	5.2	5.0	40.0
42.0	6.0	5.8	5.6	5.4	5.4	5.1	5.0	4.8	4.6	4.4	42.0
44.0	5.7 /43.1	5.3	5.0	4.9	4.8	4.6	4.4	4.3	4.0	3.9	44.0
46.0		4.9 /45.7	4.6	4.4	4.3	4.1	3.9	3.8	3.5	3.4	46.0
48.0			4.1	4.0	3.9	3.6	3.5	3.3	3.1	2.9	48.0
50.0			4.1 /48.3	3.6	3.5	3.2	3.1	2.9	2.7	2.5	50.0
52.0				3.4 /50.9	3.1	2.9	2.7	2.5	2.3	2.1	52.0
54.0					2.9 /53.2	2.5	2.4	2.2	2.0	1.8	54.0
56.0						2.2 /55.8	2.0	1.9	1.6	1.5	56.0
58.0							1.7	1.6	1.4 /57.3	1.4 /56.6	58.0
60.0							1.7 /58.4	1.4 /59.3			60.0

1. The rated loads are determined according to EN13000 rating with the machine on firm level ground.
2. The figures surrounded by bold lines are based on factors other than those which would cause a tipping condition.
3. To calculate the maximum load that can actually be lifted, deduct weight of all lifting accessories, such as boom hook and jib hook, from figures shown above.
4. Working radius is the horizontal distance from the slewing center to the center of gravity of a lifted load.
5. The counter weight is 49.6 ton.
6. Correlation between the number of reeved lines, maximum rated loads, hook weights are shown in the table below.

Hook Capacity (t)	Hook Weight (t)	Maximum rated loads (t)									
		10falls	9falls	8falls	7falls	6falls	5falls	4falls	3falls	2falls	1fall
120	1.64	120	108	96	84	72	60	48	36	24	
80	1.35				80	72	60	48	36	24	
35	0.90								35	24	
12	0.51										12

■ Aux. Sheave (With Tower Boom Extensions)



Radius (m)	Boom length (m)											Unit: ton
	15	18	21	24	27	30	33	36	39	42	45	Radius (m)
5.8	12.0											5.8
6.0	12.0	12.0/6.3	12.0/6.9									6.0
7.0	12.0	12.0	12.0	12.0/7.4								7.0
8.0	12.0	12.0	12.0	12.0	12.0	12.0/8.5						8.0
9.0	12.0	12.0	12.0	12.0	12.0	12.0	12.0	12.0/9.6				9.0
10.0	12.0	12.0	12.0	12.0	12.0	12.0	12.0	12.0	12.0/10.1	12.0/10.7	12.0/11.2	10.0
12.0	12.0	12.0	12.0	12.0	12.0	12.0	12.0	12.0	12.0	12.0	12.0	12.0
14.0	12.0	12.0	12.0	12.0	12.0	12.0	12.0	12.0	12.0	12.0	12.0	14.0
16.0	12.0	12.0	12.0	12.0	12.0	12.0	12.0	12.0	12.0	12.0	12.0	16.0
18.0	12.0/16.1	12.0	12.0	12.0	12.0	12.0	12.0	12.0	12.0	12.0	12.0	18.0
20.0		12.0/18.7	12.0	12.0	12.0	12.0	12.0	12.0	12.0	12.0	12.0	20.0
22.0			12.0/21.3	12.0	12.0	12.0	12.0	12.0	12.0	12.0	12.0	22.0
24.0				12.0/23.9	12.0	12.0	12.0	12.0	12.0	12.0	12.0	24.0
26.0					12.0	12.0	12.0	12.0	12.0	12.0	12.0	26.0
28.0					12.0/26.5	12.0	12.0	12.0	12.0	12.0	12.0	28.0
30.0						12.0/29.1	11.4	11.2	11.0	10.9	10.7	30.0
32.0							10.5/31.7	10.1	9.9	9.8	9.6	32.0
34.0								9.2	9.0	8.9	8.6	34.0
36.0								9.1/34.3	8.1	8.0	7.8	36.0
38.0									7.8/36.9	7.3	7.0	38.0
40.0										6.8/39.5	6.4	40.0
42.0											5.8	42.0
44.0											5.8/42.1	44.0

Radius (m)	Boom length (m)									Unit: ton
	48	51	54	57	60	63	66	69	72	Radius (m)
10.0	12.0/11.8									10.0
12.0	12.0	12.0/12.3	12.0/12.9	12.0/13.4						12.0
14.0	12.0	12.0	12.0	12.0	12.0	12.0/14.5	12.0/15.1	12.0/15.6		14.0
16.0	12.0	12.0	12.0	12.0	12.0	12.0	12.0	12.0	12.0/16.2	16.0
18.0	12.0	12.0	12.0	12.0	12.0	12.0	12.0	12.0	12.0	18.0
20.0	12.0	12.0	12.0	12.0	12.0	12.0	12.0	12.0	12.0	20.0
22.0	12.0	12.0	12.0	12.0	12.0	12.0	12.0	12.0	12.0	22.0
24.0	12.0	12.0	12.0	12.0	12.0	12.0	12.0	12.0	12.0	24.0
26.0	12.0	12.0	12.0	12.0	12.0	12.0	12.0	12.0	11.7	26.0
28.0	11.9	11.8	11.6	11.4	11.4	11.2	11.0	10.8	10.4	28.0
30.0	10.6	10.5	10.3	10.1	10.1	9.9	9.7	9.5	9.2	30.0
32.0	9.5	9.4	9.2	9.0	9.0	8.7	8.6	8.4	8.2	32.0
34.0	8.6	8.4	8.2	8.0	8.0	7.8	7.6	7.4	7.2	34.0
36.0	7.7	7.6	7.3	7.2	7.1	6.9	6.7	6.6	6.3	36.0
38.0	7.0	6.8	6.6	6.4	6.4	6.1	6.0	5.8	5.6	38.0
40.0	6.3	6.2	5.9	5.8	5.7	5.5	5.3	5.1	4.9	40.0
42.0	5.7	5.6	5.3	5.2	5.1	4.9	4.7	4.5	4.3	42.0
44.0	5.2	5.0	4.8	4.6	4.6	4.3	4.2	4.0	3.7	44.0
46.0	5.0/44.7	4.5	4.3	4.1	4.1	3.8	3.7	3.5	3.2	46.0
48.0		4.3/47.3	3.8	3.7	3.6	3.4	3.2	3.0	2.8	48.0
50.0			3.5/49.8	3.3	3.2	2.9	2.8	2.6	2.4	50.0
52.0				2.9	2.8	2.6	2.4	2.2	2.0	52.0
54.0				2.8/52.4	2.5	2.2	2.1	1.9	1.9/52.5	54.0
56.0					2.3/55.0	1.9	1.9/55.0			56.0

1. The rated loads are determined according to EN13000 rating with the machine on firm level ground.
2. The figures surrounded by bold lines are based on factors other than those which would cause a tipping condition.
3. To calculate the maximum load that can actually be lifted, deduct weight of all lifting accessories, such as boom hook and jib hook, from figures shown above.

Hook Capacity (t)	Hook Weight (t)
120	1.64
80	1.35
35	0.90
12	0.51

4. Working radius is the horizontal distance from the slewing center to the center of gravity of a lifted load.
5. The counter weight is 49.6 ton.

■ Main Boom with Aux. Sheave (With Tower Boom Extensions)



Radius (m)	Boom length (m)											Unit: ton
	15	18	21	24	27	30	33	36	39	42	45	Radius (m)
4.6	120.0											4.6
5.0	119.5	114.9 / 5.2										5.0
5.5	109.1	108.9	105.0 / 5.7									5.5
6.0	100.2	100.0	99.9	95.0 / 6.3	84.0 / 6.8							6.0
7.0	86.2	86.0	85.8	85.6	84.0	72.0 / 7.4	72.0 / 7.9					7.0
8.0	75.4	75.2	75.1	74.9	74.7	72.0	72.0	60.0 / 8.5				8.0
9.0	64.4	64.4	64.4	64.4	64.3	64.2	63.0	60.0	60.0	48.0 / 9.6		9.0
10.0	55.0	55.1	55.0	55.0	54.9	54.8	54.8	54.1	52.9	48.0	48.0 / 10.1	10.0
12.0	42.4	42.4	42.3	42.3	42.2	42.1	42.0	41.9	41.7	41.6	40.7	12.0
14.0	34.2	34.2	34.1	34.1	33.9	33.8	33.7	33.6	33.4	33.4	33.1	14.0
16.0	32.6 / 14.5	28.4	28.4	28.3	28.2	28.0	28.0	27.8	27.6	27.6	27.3	16.0
18.0		26.0 / 17.1	24.1	24.1	23.9	23.8	23.7	23.5	23.3	23.3	23.0	18.0
20.0			21.3 / 19.7	20.8	20.6	20.5	20.4	20.2	20.0	20.0	19.7	20.0
22.0				18.2	18.1	17.9	17.8	17.6	17.4	17.4	17.1	22.0
24.0				17.9 / 22.3	16.0	15.8	15.7	15.5	15.3	15.2	15.0	24.0
26.0					15.1 / 24.9	14.1	14.0	13.8	13.5	13.5	13.2	26.0
28.0						12.9 / 27.5	12.5	12.3	12.1	12.0	11.7	28.0
30.0							11.3	11.1	10.8	10.7	10.5	30.0
32.0							11.2 / 30.1	10.0	9.7	9.7	9.4	32.0
34.0								9.6 / 32.7	8.8	8.7	8.5	34.0
36.0									8.3 / 35.3	7.9	7.6	36.0
38.0										7.2 / 37.9	6.9	38.0
40.0											6.3	40.0
42.0											6.1 / 40.5	42.0

Radius (m)	Boom length (m)									Unit: ton
	48	51	54	57	60	63	66	69	72	Radius (m)
10.0	36.0 / 10.6	36.0 / 11.2	36.0 / 11.7							10.0
12.0	36.0	36.0	36.0	36.0 / 12.3	24.0 / 12.9	24.0 / 13.5				12.0
14.0	33.1	32.4	31.7	31.0	24.0	24.0	24.0	24.0 / 14.5	22.4 / 15.1	14.0
16.0	27.3	27.2	26.9	26.3	24.0	24.0	24.0	23.8	22.0	16.0
18.0	23.0	22.9	22.6	22.5	22.1	21.5	21.0	20.4	19.8	18.0
20.0	19.7	19.6	19.3	19.2	19.2	18.7	18.2	17.7	17.1	20.0
22.0	17.1	16.9	16.7	16.6	16.5	16.3	15.9	15.5	14.9	22.0
24.0	15.0	14.8	14.6	14.4	14.4	14.2	14.0	13.6	13.1	24.0
26.0	13.2	13.0	12.8	12.7	12.6	12.4	12.2	12.1	11.6	26.0
28.0	11.7	11.6	11.3	11.2	11.1	10.9	10.7	10.6	10.3	28.0
30.0	10.4	10.3	10.0	9.9	9.8	9.6	9.4	9.3	9.0	30.0
32.0	9.3	9.2	9.0	8.8	8.7	8.5	8.3	8.2	7.9	32.0
34.0	8.4	8.3	8.0	7.8	7.8	7.5	7.4	7.2	7.0	34.0
36.0	7.6	7.4	7.2	7.0	6.9	6.7	6.5	6.4	6.1	36.0
38.0	6.8	6.7	6.4	6.3	6.2	5.9	5.8	5.6	5.4	38.0
40.0	6.2	6.0	5.8	5.6	5.5	5.3	5.1	4.9	4.7	40.0
42.0	5.6	5.4	5.2	5.0	4.9	4.7	4.5	4.3	4.1	42.0
44.0	5.3 / 43.1	4.9	4.6	4.5	4.4	4.1	4.0	3.8	3.6	44.0
46.0		4.5 / 45.7	4.2	4.0	3.9	3.7	3.5	3.3	3.1	46.0
48.0			3.7	3.6	3.5	3.2	3.0	2.9	2.6	48.0
50.0			3.7 / 48.3	3.2	3.1	2.8	2.6	2.5	2.2	50.0
52.0				3.0 / 50.9	2.7	2.4	2.3	2.1	1.9 / 51.5	52.0
54.0					2.5 / 53.2	2.1	1.9	1.9 / 53.3		54.0
56.0						1.9 / 55.2				56.0

1. The rated loads are determined according to EN13000 rating with the machine on firm level ground.
2. The figures surrounded by bold lines are based on factors other than those which would cause a tipping condition.
3. To calculate the maximum load that can actually be lifted, deduct weight of all lifting accessories, such as boom hook and jib hook, from figures shown above.
4. Working radius is the horizontal distance from the slewing center to the center of gravity of a lifted load.
5. The counter weight is 49.6 ton.
6. Correlation between the number of reeved lines, maximum rated loads, hook weights are shown in the table below.

Hook Capacity (t)	Hook Weight (t)	Maximum rated loads (t)									
		10falls	9falls	8falls	7falls	6falls	5falls	4falls	3falls	2falls	1fall
120	1.64	120	108	96	84	72	60	48	36	24	
80	1.35				80	72	60	48	36	24	
35	0.90							35	24		
12	0.51										12

■ Crane Jib (With Tower Boom Extensions)



Unit: ton									
Boom length (m)	24								Boom length (m)
Jib length (m)	10		16		22		28		Jib length (m)
Offset angle (deg)	10	30	10	30	10	30	10	30	Offset angle (deg)
Radius (m)									Radius (m)
9.7	12.0								9.7
10.0	12.0		12.0 / 11.8						10.0
12.0	12.0	12.0 / 12.6	12.0		8.8 / 13.9				12.0
14.0	12.0	12.0	12.0		8.8				14.0
16.0	12.0	12.0	12.0	9.0 / 16.5	8.8		5.4		16.0
18.0	12.0	12.0	12.0	9.0	8.6		5.1		18.0
20.0	12.0	12.0	12.0	9.0	8.3	6.4 / 20.4	4.8		20.0
22.0	12.0	11.7	12.0	9.0	7.9	6.4	4.5		22.0
24.0	12.0	11.2	12.0	9.0	7.6	6.4	4.3	3.4 / 24.3	24.0
26.0	12.0	10.8	12.0	8.7	7.3	6.4	4.1	3.4	26.0
28.0	12.0	10.4	11.9	8.3	7.0	6.4	3.9	3.3	28.0
30.0	12.0	10.2	11.1	8.0	6.8	6.2	3.7	3.1	30.0
32.0	11.4	10.0	10.4	7.7	6.6	5.9	3.6	3.0	32.0
34.0	11.3 / 32.2	9.9 / 32.8	9.8	7.5	6.4	5.7	3.4	2.9	34.0
36.0			9.3	7.3	6.2	5.4	3.3	2.9	36.0
38.0			8.9 / 37.9	7.2	6.1	5.3	3.2	2.8	38.0
40.0				7.2 / 38.8	5.9	5.1	3.1	2.7	40.0
42.0					5.8	5.0	3.0	2.7	42.0
44.0					5.8 / 43.5	4.9	2.9	2.6	44.0
46.0						4.9 / 44.8	2.8	2.6	46.0
48.0							2.7	2.6	48.0
50.0							2.7 / 49.2	2.6	50.0
52.0								2.6 / 50.8	52.0

Unit: ton									
Boom length (m)	27								Boom length (m)
Jib length (m)	10		16		22		28		Jib length (m)
Offset angle (deg)	10	30	10	30	10	30	10	30	Offset angle (deg)
Radius (m)									Radius (m)
10.0	12.0 / 10.2								10.0
12.0	12.0	12.0 / 13.2	12.0 / 12.3						12.0
14.0	12.0	12.0	12.0		8.8 / 14.4				14.0
16.0	12.0	12.0	12.0	9.0 / 17.1	8.8		5.4 / 16.5		16.0
18.0	12.0	12.0	12.0	9.0	8.8		5.2		18.0
20.0	12.0	12.0	12.0	9.0	8.4	6.4 / 21.0	4.9		20.0
22.0	12.0	12.0	12.0	9.0	8.1	6.4	4.6		22.0
24.0	12.0	11.5	12.0	9.0	7.8	6.4	4.4	3.4 / 24.9	24.0
26.0	12.0	11.1	12.0	8.9	7.5	6.4	4.2	3.4	26.0
28.0	12.0	10.7	12.0	8.5	7.2	6.4	4.0	3.3	28.0
30.0	12.0	10.4	11.8	8.2	7.0	6.3	3.8	3.2	30.0
32.0	11.2	10.2	11.1	7.9	6.7	6.1	3.7	3.1	32.0
34.0	10.2	10.0	10.4	7.7	6.5	5.8	3.5	3.0	34.0
36.0	9.9 / 34.8	9.7 / 35.4	9.7	7.5	6.4	5.6	3.4	2.9	36.0
38.0			9.0	7.3	6.2	5.4	3.3	2.8	38.0
40.0			8.3	7.2	6.1	5.2	3.2	2.8	40.0
42.0			8.1 / 40.5	7.2 / 41.4	5.9	5.1	3.1	2.7	42.0
44.0					5.9	5.0	3.0	2.7	44.0
46.0					5.8	4.9	2.9	2.6	46.0
48.0					5.8 / 46.1	4.8 / 47.4	2.8	2.6	48.0
50.0							2.8	2.6	50.0
52.0							2.7 / 51.7	2.6	52.0
54.0								2.6 / 53.4	54.0

1. The rated loads are determined according to EN13000 rating with the machine on firm level ground.
2. The figures surrounded by bold lines are based on factors other than those which would cause a tipping condition.
3. To calculate the maximum load that can actually be lifted, deduct weight of all lifting accessories, such as boom hook and jib hook, from figures shown above.

Hook Capacity (t)	Hook Weight (t)
120	1.64
80	1.35
35	0.90
12	0.51

4. Working radius is the horizontal distance from the slewing center to the center of gravity of a lifted load.
5. The counter weight is 49.6 ton.

■ Crane Jib (With Tower Boom Extensions)



									Unit: ton
Boom length (m)	30								Boom length (m)
Jib length (m)	10		16		22		28		Jib length (m)
Offset angle (deg) Radius (m)	10	30	10	30	10	30	10	30	Offset angle (deg) Radius (m)
10.7	12.0								10.7
12.0	12.0	12.0 /13.7	12.0 /12.8						12.0
14.0	12.0	12.0	12.0		8.8 /15.0				14.0
16.0	12.0	12.0	12.0	9.0 /17.6	8.8		5.4 /17.1		16.0
18.0	12.0	12.0	12.0	9.0	8.8		5.2		18.0
20.0	12.0	12.0	12.0	9.0	8.6	6.4 /21.5	5.0		20.0
22.0	12.0	12.0	12.0	9.0	8.2	6.4	4.7		22.0
24.0	12.0	11.8	12.0	9.0	7.9	6.4	4.5	3.4 /25.4	24.0
26.0	12.0	11.4	12.0	9.0	7.6	6.4	4.3	3.4	26.0
28.0	12.0	11.0	12.0	8.7	7.4	6.4	4.1	3.3	28.0
30.0	12.0	10.7	12.0	8.4	7.1	6.4	3.9	3.2	30.0
32.0	11.0	10.4	11.4	8.1	6.9	6.2	3.8	3.1	32.0
34.0	10.0	10.1	10.4	7.9	6.7	6.0	3.6	3.0	34.0
36.0	9.2	9.3	9.5	7.7	6.5	5.8	3.5	2.9	36.0
38.0	8.6 /37.4	8.5	8.8	7.5	6.3	5.6	3.4	2.9	38.0
40.0			8.1	7.3	6.2	5.4	3.2	2.8	40.0
42.0			7.5	7.2	6.1	5.2	3.1	2.7	42.0
44.0			7.2 /43.1	7.0	6.0	5.1	3.0	2.7	44.0
46.0					5.9	5.0	3.0	2.7	46.0
48.0					5.8	4.9	2.9	2.6	48.0
50.0					5.8 /48.7	4.8	2.8	2.6	50.0
52.0							2.8	2.6	52.0
54.0							2.7	2.6	54.0
56.0							2.7 /54.3	2.6	56.0

									Unit: ton
Boom length (m)	33								Boom length (m)
Jib length (m)	10		16		22		28		Jib length (m)
Offset angle (deg) Radius (m)	10	30	10	30	10	30	10	30	Offset angle (deg) Radius (m)
10.7	12.0 /11.3								10.7
12.0	12.0		12.0 /13.4						12.0
14.0	12.0	12.0 /14.3	12.0		8.8 /15.5				14.0
16.0	12.0	12.0	12.0		8.8		5.4 /17.6		16.0
18.0	12.0	12.0	12.0	9.0 /18.2	8.8		5.3		18.0
20.0	12.0	12.0	12.0	9.0	8.7		5.0		20.0
22.0	12.0	12.0	12.0	9.0	8.4	6.4 /22.1	4.8		22.0
24.0	12.0	12.0	12.0	9.0	8.1	6.4	4.6		24.0
26.0	12.0	11.7	12.0	9.0	7.8	6.4	4.4	3.4	26.0
28.0	12.0	11.3	12.0	8.9	7.5	6.4	4.2	3.4	28.0
30.0	11.9	11.0	12.0	8.6	7.3	6.4	4.0	3.2	30.0
32.0	10.8	10.7	11.2	8.3	7.0	6.4	3.9	3.1	32.0
34.0	9.9	10.0	10.2	8.1	6.8	6.1	3.7	3.1	34.0
36.0	9.0	9.2	9.4	7.9	6.7	5.9	3.6	3.0	36.0
38.0	8.3	8.4	8.6	7.7	6.5	5.7	3.5	2.9	38.0
40.0	7.6	7.7	7.9	7.5	6.3	5.5	3.3	2.8	40.0
42.0		7.5 /40.6	7.3	7.3	6.2	5.3	3.2	2.8	42.0
44.0			6.8	6.9	6.1	5.2	3.1	2.7	44.0
46.0			6.3 /45.7	6.4	6.0	5.1	3.0	2.7	46.0
48.0				6.2 /46.6	5.9	5.0	3.0	2.7	48.0
50.0					5.6	4.9	2.9	2.6	50.0
52.0					5.4 /51.3	4.8	2.8	2.6	52.0
54.0						4.8 /52.6	2.8	2.6	54.0
56.0							2.7	2.6	56.0
58.0							2.7 /56.9	2.6	58.0
60.0								2.6 /58.6	60.0

• For notes about the table above, refer to page 39.

■ Crane Jib (With Tower Boom Extensions)



									Unit: ton
Boom length (m)	36								Boom length (m)
Jib length (m)	10		16		22		28		Jib length (m)
Offset angle (deg) Radius (m)	10	30	10	30	10	30	10	30	Offset angle (deg) Radius (m)
11.8	12.0								11.8
12.0	12.0		12.0/13.9						12.0
14.0	12.0	12.0/14.8	12.0						14.0
16.0	12.0	12.0	12.0		8.8				16.0
18.0	12.0	12.0	12.0	9.0/18.7	8.8		5.4/18.1		18.0
20.0	12.0	12.0	12.0	9.0	8.8		5.1		20.0
22.0	12.0	12.0	12.0	9.0	8.5	6.4/22.6	4.9		22.0
24.0	12.0	12.0	12.0	9.0	8.2	6.4	4.7		24.0
26.0	12.0	11.9	12.0	9.0	7.9	6.4	4.5	3.4/26.5	26.0
28.0	12.0	11.5	12.0	9.0	7.7	6.4	4.3	3.4	28.0
30.0	11.7	11.2	12.0	8.8	7.4	6.4	4.1	3.3	30.0
32.0	10.6	10.9	11.0	8.5	7.2	6.4	4.0	3.2	32.0
34.0	9.6	9.9	10.0	8.3	7.0	6.2	3.8	3.1	34.0
36.0	8.8	9.0	9.2	8.0	6.8	6.0	3.7	3.0	36.0
38.0	8.0	8.2	8.4	7.8	6.6	5.8	3.5	2.9	38.0
40.0	7.4	7.5	7.7	7.6	6.5	5.6	3.4	2.9	40.0
42.0	6.8	6.8	7.1	7.3	6.3	5.5	3.3	2.8	42.0
44.0	6.6/42.6	6.5/43.2	6.5	6.7	6.2	5.3	3.2	2.8	44.0
46.0			6.0	6.2	6.1	5.2	3.1	2.7	46.0
48.0			5.6	5.7	5.8	5.1	3.0	2.7	48.0
50.0			5.5/48.3	5.4/49.2	5.4	5.0	3.0	2.6	50.0
52.0					5.0	4.9	2.9	2.6	52.0
54.0					4.7/53.9	4.8	2.8	2.6	54.0
56.0						4.6/55.2	2.8	2.6	56.0
58.0							2.7	2.6	58.0
60.0							2.7/59.5	2.6	60.0
62.0								2.6/61.2	62.0

									Unit: ton
Boom length (m)	39								Boom length (m)
Jib length (m)	10		16		22		28		Jib length (m)
Offset angle (deg) Radius (m)	10	30	10	30	10	30	10	30	Offset angle (deg) Radius (m)
12.0	12.0/12.4								12.0
14.0	12.0	12.0/15.4	12.0/14.5						14.0
16.0	12.0	12.0	12.0		8.8/16.6				16.0
18.0	12.0	12.0	12.0	9.0/19.3	8.8		5.3/18.7		18.0
20.0	12.0	12.0	12.0	9.0	8.8		5.2		20.0
22.0	12.0	12.0	12.0	9.0	8.6	6.4/23.2	5.0		22.0
24.0	12.0	12.0	12.0	9.0	8.3	6.4	4.7		24.0
26.0	12.0	12.0	12.0	9.0	8.0	6.4	4.5	3.4/27.1	26.0
28.0	12.0	11.8	12.0	9.0	7.8	6.4	4.4	3.4	28.0
30.0	11.5	11.4	11.9	8.9	7.6	6.4	4.2	3.3	30.0
32.0	10.4	10.7	10.8	8.7	7.3	6.4	4.0	3.2	32.0
34.0	9.4	9.7	9.8	8.4	7.1	6.4	3.9	3.1	34.0
36.0	8.5	8.8	8.9	8.2	6.9	6.1	3.8	3.0	36.0
38.0	7.8	8.0	8.2	8.0	6.8	5.9	3.6	3.0	38.0
40.0	7.1	7.3	7.5	7.8	6.6	5.8	3.5	2.9	40.0
42.0	6.5	6.6	6.9	7.1	6.4	5.6	3.4	2.8	42.0
44.0	6.0	6.1	6.3	6.5	6.3	5.4	3.3	2.8	44.0
46.0	5.7/45.2	5.6/45.8	5.8	6.0	6.1	5.3	3.2	2.7	46.0
48.0			5.3	5.5	5.6	5.2	3.1	2.7	48.0
50.0			4.9	5.0	5.2	5.1	3.0	2.7	50.0
52.0			4.8/50.9	4.7/51.8	4.8	5.0	3.0	2.6	52.0
54.0					4.4	4.6	2.9	2.6	54.0
56.0					4.1	4.2	2.8	2.6	56.0
58.0					4.0/56.5	3.9/57.8	2.8	2.6	58.0
60.0							2.7	2.6	60.0
62.0							2.7	2.6	62.0
64.0							2.7/62.1	2.6/63.8	64.0

• For notes about the table above, refer to page 39.

■ Crane Jib (With Tower Boom Extensions)



									Unit: ton
Boom length (m)	42								Boom length (m)
Jib length (m)	10		16		22		28		Jib length (m)
Offset angle (deg) Radius (m)	10	30	10	30	10	30	10	30	Offset angle (deg) Radius (m)
12.9	12.0								12.9
14.0	12.0	12.0 / 15.9	12.0 / 15.0						14.0
16.0	12.0	12.0	12.0		8.8 / 17.1				16.0
18.0	12.0	12.0	12.0	9.0 / 19.8	8.8		5.3 / 19.2		18.0
20.0	12.0	12.0	12.0	9.0	8.8		5.2		20.0
22.0	12.0	12.0	12.0	9.0	8.7	6.4 / 23.7	5.0		22.0
24.0	12.0	12.0	12.0	9.0	8.4	6.4	4.8		24.0
26.0	12.0	12.0	12.0	9.0	8.2	6.4	4.6	3.4 / 27.6	26.0
28.0	12.0	12.0	12.0	9.0	7.9	6.4	4.4	3.4	28.0
30.0	11.4	11.6	11.8	9.0	7.7	6.4	4.3	3.3	30.0
32.0	10.3	10.6	10.7	8.8	7.5	6.4	4.1	3.2	32.0
34.0	9.3	9.6	9.7	8.6	7.3	6.4	4.0	3.1	34.0
36.0	8.4	8.7	8.8	8.3	7.1	6.3	3.8	3.1	36.0
38.0	7.7	7.9	8.0	8.1	6.9	6.1	3.7	3.0	38.0
40.0	7.0	7.2	7.4	7.7	6.7	5.9	3.6	2.9	40.0
42.0	6.4	6.6	6.7	7.1	6.6	5.7	3.5	2.9	42.0
44.0	5.9	6.0	6.2	6.5	6.4	5.5	3.4	2.8	44.0
46.0	5.4	5.5	5.7	5.9	5.9	5.4	3.3	2.8	46.0
48.0	5.0 / 47.8	5.0	5.2	5.4	5.5	5.3	3.2	2.7	48.0
50.0		4.9 / 48.4	4.8	5.0	5.1	5.2	3.1	2.7	50.0
52.0			4.4	4.5	4.7	4.9	3.0	2.6	52.0
54.0			4.2 / 53.5	4.2	4.3	4.5	2.9	2.6	54.0
56.0				4.1 / 54.4	4.0	4.2	2.9	2.6	56.0
58.0					3.7	3.8	2.8	2.6	58.0
60.0					3.5 / 59.1	3.5	2.8	2.6	60.0
62.0						3.4 / 60.4	2.7	2.6	62.0
64.0							2.7	2.6	64.0
66.0							2.7 / 64.7	2.6	66.0
68.0								2.6 / 66.4	68.0

									Unit: ton
Boom length (m)	45								Boom length (m)
Jib length (m)	10		16		22		28		Jib length (m)
Offset angle (deg) Radius (m)	10	30	10	30	10	30	10	30	Offset angle (deg) Radius (m)
12.9	12.0 / 13.5								12.9
14.0	12.0		12.0 / 15.6						14.0
16.0	12.0	12.0 / 16.5	12.0		8.8 / 17.7				16.0
18.0	12.0	12.0	12.0		8.8		5.3 / 19.8		18.0
20.0	12.0	12.0	12.0	9.0 / 20.4	8.8		5.3		20.0
22.0	12.0	12.0	12.0	9.0	8.8		5.1		22.0
24.0	12.0	12.0	12.0	9.0	8.5	6.4 / 24.3	4.9		24.0
26.0	12.0	12.0	12.0	9.0	8.3	6.4	4.7		26.0
28.0	12.0	12.0	12.0	9.0	8.0	6.4	4.5	3.4 / 28.2	28.0
30.0	11.1	11.6	11.6	9.0	7.8	6.4	4.3	3.3	30.0
32.0	10.0	10.4	10.4	9.0	7.6	6.4	4.2	3.3	32.0
34.0	9.1	9.4	9.4	8.7	7.4	6.4	4.0	3.2	34.0
36.0	8.2	8.5	8.6	8.5	7.2	6.4	3.9	3.1	36.0
38.0	7.4	7.7	7.8	8.2	7.0	6.2	3.8	3.0	38.0
40.0	6.8	7.0	7.1	7.5	6.8	6.0	3.7	3.0	40.0
42.0	6.1	6.3	6.5	6.8	6.7	5.8	3.5	2.9	42.0
44.0	5.6	5.7	5.9	6.2	6.2	5.7	3.4	2.8	44.0
46.0	5.1	5.2	5.4	5.7	5.7	5.5	3.3	2.8	46.0
48.0	4.7	4.7	5.0	5.2	5.2	5.4	3.3	2.7	48.0
50.0	4.2	4.3	4.6	4.8	4.8	5.2	3.2	2.7	50.0
52.0	4.2 / 50.4	4.1 / 51.0	4.2	4.3	4.4	4.7	3.1	2.7	52.0
54.0			3.8	3.9	4.1	4.3	3.0	2.6	54.0
56.0			3.5	3.6	3.7	4.0	2.9	2.6	56.0
58.0			3.5 / 56.1	3.4 / 57.0	3.4	3.6	2.9	2.6	58.0
60.0					3.1	3.3	2.8	2.6	60.0
62.0					2.9 / 61.7	3.0	2.8	2.6	62.0
64.0						2.8 / 63.0	2.7	2.6	64.0
66.0							2.6	2.6	66.0
68.0							2.4 / 67.3	2.5	68.0
70.0								2.3 / 69.0	70.0

• For notes about the table above, refer to page 39.

■ Crane Jib (With Tower Boom Extensions)



									Unit: ton
Boom length (m)	48								Boom length (m)
Jib length (m)	10		16		22		28		Jib length (m)
Offset angle (deg) Radius (m)	10	30	10	30	10	30	10	30	Offset angle (deg) Radius (m)
14.0	12.0								14.0
16.0	12.0	12.0 / 17.0	12.0 / 16.1						16.0
18.0	12.0	12.0	12.0		8.8 / 18.2				18.0
20.0	12.0	12.0	12.0	9.0 / 20.9	8.8		5.3 / 20.3		20.0
22.0	12.0	12.0	12.0	9.0	8.8		5.1		22.0
24.0	12.0	12.0	12.0	9.0	8.6	6.4 / 24.8	4.9		24.0
26.0	12.0	12.0	12.0	9.0	8.4	6.4	4.8		26.0
28.0	12.0	12.0	12.0	9.0	8.1	6.4	4.6	3.4 / 28.7	28.0
30.0	11.1	11.5	11.5	9.0	7.9	6.4	4.4	3.4	30.0
32.0	9.9	10.3	10.3	9.0	7.7	6.4	4.3	3.3	32.0
34.0	9.0	9.3	9.3	8.8	7.5	6.4	4.1	3.2	34.0
36.0	8.1	8.4	8.5	8.6	7.3	6.4	4.0	3.1	36.0
38.0	7.3	7.6	7.7	8.2	7.1	6.3	3.9	3.1	38.0
40.0	6.7	6.9	7.0	7.4	7.0	6.1	3.7	3.0	40.0
42.0	6.1	6.3	6.4	6.8	6.7	5.9	3.6	2.9	42.0
44.0	5.5	5.7	5.8	6.2	6.1	5.8	3.5	2.9	44.0
46.0	5.0	5.1	5.3	5.6	5.6	5.6	3.4	2.8	46.0
48.0	4.5	4.7	4.9	5.1	5.1	5.5	3.3	2.8	48.0
50.0	4.1	4.2	4.4	4.7	4.7	5.1	3.2	2.7	50.0
52.0	3.8	3.8	4.1	4.3	4.3	4.6	3.2	2.7	52.0
54.0	3.6 / 53.0	3.5 / 53.6	3.7	3.9	3.9	4.3	3.1	2.7	54.0
56.0			3.4	3.5	3.6	3.9	3.0	2.6	56.0
58.0			3.1	3.2	3.3	3.5	2.9	2.6	58.0
60.0			3.0 / 58.7	2.9 / 59.6	3.0	3.2	2.9	2.6	60.0
62.0					2.7	2.9	2.8	2.6	62.0
64.0					2.5	2.6	2.7	2.6	64.0
66.0					2.5 / 64.3	2.4 / 65.6	2.4	2.6	66.0
68.0							2.2	2.4	68.0
70.0							2.0 / 69.9	2.2	70.0
72.0								2.0 / 71.6	72.0

									Unit: ton
Boom length (m)	51								Boom length (m)
Jib length (m)	10		16		22		28		Jib length (m)
Offset angle (deg) Radius (m)	10	30	10	30	10	30	10	30	Offset angle (deg) Radius (m)
14.0	12.0 / 14.6								14.0
16.0	12.0	12.0 / 17.6	12.0 / 16.7						16.0
18.0	12.0	12.0	12.0		8.8 / 18.8				18.0
20.0	12.0	12.0	12.0	9.0 / 21.5	8.8		5.3 / 20.9		20.0
22.0	12.0	12.0	12.0	9.0	8.8		5.2		22.0
24.0	12.0	12.0	12.0	9.0	8.7	6.4 / 25.4	5.0		24.0
26.0	12.0	12.0	12.0	9.0	8.5	6.4	4.8		26.0
28.0	12.0	12.0	12.0	9.0	8.2	6.4	4.6	3.4 / 29.3	28.0
30.0	10.9	11.4	11.3	9.0	8.0	6.4	4.5	3.4	30.0
32.0	9.8	10.2	10.2	9.0	7.8	6.4	4.3	3.3	32.0
34.0	8.8	9.2	9.2	9.0	7.6	6.4	4.2	3.2	34.0
36.0	7.9	8.3	8.3	8.7	7.4	6.4	4.0	3.1	36.0
38.0	7.2	7.5	7.5	8.0	7.2	6.4	3.9	3.1	38.0
40.0	6.5	6.8	6.9	7.3	7.1	6.2	3.8	3.0	40.0
42.0	5.9	6.1	6.2	6.6	6.5	6.0	3.7	2.9	42.0
44.0	5.3	5.5	5.7	6.0	5.9	5.9	3.6	2.9	44.0
46.0	4.8	5.0	5.2	5.5	5.4	5.7	3.5	2.8	46.0
48.0	4.4	4.5	4.7	5.0	5.0	5.4	3.4	2.8	48.0
50.0	4.0	4.1	4.3	4.5	4.5	5.0	3.3	2.7	50.0
52.0	3.6	3.7	3.9	4.1	4.1	4.5	3.2	2.7	52.0
54.0	3.2	3.3	3.5	3.7	3.8	4.1	3.1	2.7	54.0
56.0	3.0 / 55.6	3.0	3.2	3.4	3.4	3.8	3.1	2.6	56.0
58.0		2.9 / 56.2	2.9	3.0	3.1	3.4	3.0	2.6	58.0
60.0			2.6	2.7	2.8	3.1	2.9	2.6	60.0
62.0			2.4 / 61.3	2.4	2.6	2.8	2.8	2.6	62.0
64.0				2.4 / 62.2	2.3	2.5	2.5	2.6	64.0
66.0					2.1	2.2	2.3	2.5	66.0
68.0					2.0 / 66.9	2.0	2.1	2.3	68.0
70.0						1.9 / 68.2	1.9 / 69.3	2.0	70.0
72.0								1.9 / 71.0	72.0

• For notes about the table above, refer to page 39.

■ Crane Jib (With Tower Boom Extensions)



									Unit: ton
Boom length (m)	54								Boom length (m)
Jib length (m)	10		16		22		28		Jib length (m)
Offset angle (deg) Radius (m)	10	30	10	30	10	30	10	30	Offset angle (deg) Radius (m)
15.1	12.0								15.1
16.0	12.0		12.0/17.2						16.0
18.0	12.0	12.0/18.1	12.0		8.8/19.3				18.0
20.0	12.0	12.0	12.0		8.8		5.3/21.4		20.0
22.0	12.0	12.0	12.0	9.0	8.8		5.2		22.0
24.0	12.0	12.0	12.0	9.0	8.8	6.4/25.9	5.0		24.0
26.0	12.0	12.0	12.0	9.0	8.6	6.4	4.9		26.0
28.0	12.0	12.0	12.0	9.0	8.3	6.4	4.7	3.4/29.8	28.0
30.0	10.7	11.2	11.1	9.0	8.1	6.4	4.5	3.4	30.0
32.0	9.5	10.0	9.9	9.0	7.9	6.4	4.4	3.3	32.0
34.0	8.6	9.0	9.0	9.0	7.7	6.4	4.2	3.2	34.0
36.0	7.7	8.1	8.1	8.7	7.5	6.4	4.1	3.2	36.0
38.0	6.9	7.2	7.3	7.8	7.3	6.4	4.0	3.1	38.0
40.0	6.2	6.5	6.6	7.1	6.9	6.3	3.9	3.0	40.0
42.0	5.6	5.9	6.0	6.4	6.3	6.1	3.8	3.0	42.0
44.0	5.1	5.3	5.4	5.8	5.7	5.9	3.6	2.9	44.0
46.0	4.6	4.8	4.9	5.3	5.2	5.7	3.5	2.9	46.0
48.0	4.1	4.3	4.5	4.8	4.7	5.2	3.5	2.8	48.0
50.0	3.7	3.9	4.0	4.3	4.3	4.8	3.4	2.8	50.0
52.0	3.3	3.5	3.6	3.9	3.9	4.3	3.3	2.7	52.0
54.0	3.0	3.1	3.3	3.5	3.5	3.9	3.2	2.7	54.0
56.0	2.7	2.7	3.0	3.2	3.2	3.5	3.1	2.7	56.0
58.0	2.4	2.4	2.7	2.8	2.9	3.2	3.1	2.6	58.0
60.0	2.3/58.2	2.3/58.8	2.4	2.5	2.6	2.9	2.8	2.6	60.0
62.0			2.1	2.2	2.3	2.6	2.5	2.6	62.0
64.0			1.9/63.9	1.9	2.1	2.3	2.3	2.6	64.0
66.0					1.9	2.0	2.0	2.3	66.0
68.0						1.9/67.0	1.9/67.0	2.1	68.0
70.0								1.9/69.3	70.0

									Unit: ton
Boom length (m)	57								Boom length (m)
Jib length (m)	10		16		22		28		Jib length (m)
Offset angle (deg) Radius (m)	10	30	10	30	10	30	10	30	Offset angle (deg) Radius (m)
15.1	12.0/15.7								15.1
16.0	12.0		12.0/17.8						16.0
18.0	12.0	12.0/18.7	12.0		8.8/19.9				18.0
20.0	12.0	12.0	12.0		8.8				20.0
22.0	12.0	12.0	12.0	9.0/22.6	8.8		5.3		22.0
24.0	12.0	12.0	12.0	9.0	8.8		5.1		24.0
26.0	12.0	12.0	12.0	9.0	8.7	6.4/26.5	4.9		26.0
28.0	11.8	12.0	12.0	9.0	8.4	6.4	4.8		28.0
30.0	10.5	11.0	10.9	9.0	8.2	6.4	4.6	3.4/30.4	30.0
32.0	9.4	9.8	9.8	9.0	8.0	6.4	4.4	3.3	32.0
34.0	8.4	8.8	8.8	9.0	7.8	6.4	4.3	3.3	34.0
36.0	7.5	7.9	7.9	8.5	7.6	6.4	4.2	3.2	36.0
38.0	6.8	7.1	7.1	7.7	7.4	6.4	4.0	3.1	38.0
40.0	6.1	6.4	6.4	7.0	6.7	6.4	3.9	3.1	40.0
42.0	5.5	5.7	5.8	6.3	6.1	6.2	3.8	3.0	42.0
44.0	4.9	5.2	5.3	5.7	5.5	6.0	3.7	2.9	44.0
46.0	4.4	4.6	4.7	5.1	5.0	5.6	3.6	2.9	46.0
48.0	4.0	4.2	4.3	4.6	4.6	5.1	3.5	2.8	48.0
50.0	3.5	3.7	3.9	4.2	4.1	4.6	3.4	2.8	50.0
52.0	3.2	3.3	3.5	3.8	3.7	4.2	3.3	2.7	52.0
54.0	2.8	2.9	3.1	3.4	3.4	3.8	3.3	2.7	54.0
56.0	2.5	2.6	2.8	3.0	3.0	3.4	3.2	2.7	56.0
58.0	2.2	2.3	2.5	2.7	2.7	3.1	2.9	2.6	58.0
60.0	1.9	2.0	2.2	2.4	2.4	2.7	2.6	2.6	60.0
62.0		1.9/60.7	1.9	2.1	2.2	2.4	2.4	2.6	62.0
64.0			1.9/63.3	1.9	2.2	2.2	2.1	2.5	64.0
66.0						1.9	1.9	2.2	66.0
68.0								2.0	68.0
70.0								1.9/68.6	70.0

• For notes about the table above, refer to page 39.

■ Crane Jib (With Tower Boom Extensions)



									Unit: ton
Boom length (m)	60								Boom length (m)
Jib length (m)	10		16		22		28		Jib length (m)
Offset angle (deg) Radius (m)	10	30	10	30	10	30	10	30	Offset angle (deg) Radius (m)
16.2	12.0								16.2
18.0	12.0	12.0/19.2	12.0/18.3						18.0
20.0	12.0	12.0	12.0		8.8/20.4				20.0
22.0	12.0	12.0	12.0	9.0/23.1	8.8		5.3/22.5		22.0
24.0	12.0	12.0	12.0	9.0	8.8		5.1		24.0
26.0	12.0	12.0	12.0	9.0	8.8	6.4/27.0	5.0		26.0
28.0	11.8	12.0	12.0	9.0	8.5	6.4	4.8		28.0
30.0	10.5	11.0	10.9	9.0	8.3	6.4	4.6	3.4/30.9	30.0
32.0	9.3	9.8	9.7	9.0	8.1	6.4	4.5	3.3	32.0
34.0	8.3	8.8	8.7	9.0	7.9	6.4	4.4	3.3	34.0
36.0	7.5	7.9	7.8	8.5	7.7	6.4	4.2	3.2	36.0
38.0	6.7	7.1	7.1	7.7	7.4	6.4	4.1	3.1	38.0
40.0	6.0	6.3	6.4	6.9	6.7	6.4	4.0	3.1	40.0
42.0	5.4	5.7	5.7	6.2	6.0	6.3	3.9	3.0	42.0
44.0	4.8	5.1	5.2	5.6	5.5	6.1	3.8	3.0	44.0
46.0	4.3	4.6	4.7	5.1	4.9	5.6	3.7	2.9	46.0
48.0	3.9	4.1	4.2	4.6	4.5	5.0	3.6	2.9	48.0
50.0	3.5	3.6	3.8	4.1	4.0	4.6	3.5	2.8	50.0
52.0	3.1	3.2	3.4	3.7	3.6	4.1	3.4	2.8	52.0
54.0	2.7	2.9	3.0	3.3	3.3	3.7	3.3	2.7	54.0
56.0	2.4	2.5	2.7	2.9	2.9	3.3	3.1	2.7	56.0
58.0	2.1	2.2	2.4	2.6	2.6	3.0	2.8	2.7	58.0
60.0	1.9/59.3	1.9	2.1	2.3	2.3	2.7	2.5	2.6	60.0
62.0			1.9/61.3	2.0	2.1	2.4	2.3	2.6	62.0
64.0				1.9/62.6	1.9/63.3	2.1	2.0	2.4	64.0
66.0						1.9/65.3	1.9/65.0	2.1	66.0
68.0								1.9	68.0

									Unit: ton
Boom length (m)	63								Boom length (m)
Jib length (m)	10		16		22		28		Jib length (m)
Offset angle (deg) Radius (m)	10	30	10	30	10	30	10	30	Offset angle (deg) Radius (m)
16.2	12.0/16.8								16.2
18.0	12.0	12.0/19.8	12.0/18.9						18.0
20.0	12.0	12.0	12.0		8.8/21.0				20.0
22.0	12.0	12.0	12.0	9.0/23.7	8.8		5.3/23.1		22.0
24.0	12.0	12.0	12.0	9.0	8.8		5.2		24.0
26.0	12.0	12.0	12.0	9.0	8.8	6.4/27.5	5.0		26.0
28.0	11.5	12.0	12.0	9.0	8.6	6.4	4.9		28.0
30.0	10.2	10.8	10.6	9.0	8.4	6.4	4.7	3.4/31.4	30.0
32.0	9.1	9.6	9.5	9.0	8.2	6.4	4.6	3.4	32.0
34.0	8.1	8.6	8.5	9.0	8.0	6.4	4.4	3.3	34.0
36.0	7.2	7.7	7.6	8.3	7.8	6.4	4.3	3.2	36.0
38.0	6.5	6.8	6.8	7.5	7.1	6.4	4.2	3.2	38.0
40.0	5.8	6.1	6.1	6.7	6.4	6.4	4.0	3.1	40.0
42.0	5.2	5.5	5.5	6.0	5.8	6.4	3.9	3.0	42.0
44.0	4.6	4.9	4.9	5.4	5.2	5.9	3.8	3.0	44.0
46.0	4.1	4.4	4.4	4.9	4.7	5.4	3.7	2.9	46.0
48.0	3.6	3.9	4.0	4.4	4.2	4.8	3.6	2.9	48.0
50.0	3.2	3.4	3.5	3.9	3.8	4.4	3.5	2.8	50.0
52.0	2.8	3.0	3.1	3.5	3.4	3.9	3.5	2.8	52.0
54.0	2.5	2.6	2.8	3.1	3.0	3.5	3.3	2.7	54.0
56.0	2.1	2.3	2.4	2.7	2.7	3.1	2.9	2.7	56.0
58.0	1.9/57.3	2.0	2.1	2.4	2.4	2.8	2.6	2.7	58.0
60.0		1.9/58.6	1.9/59.3	2.1	2.1	2.5	2.3	2.7	60.0
62.0				1.9/61.3	1.9/61.3	2.2	2.0	2.5	62.0
64.0						1.9	1.9/63.0	2.2	64.0
66.0								1.9	66.0

• For notes about the table above, refer to page 39.

■ Main Boom with Crane Jib (With Tower Boom Extensions)



Unit: ton

Boom length (m)	24								Boom length (m)
Jib length (m)	10		16		22		28		Jib length (m)
Offset angle (deg) Radius (m)	10	30	10	30	10	30	10	30	Offset angle (deg) Radius (m)
6.3	80.0	80.0	80.0	80.0	80.0	80.0	80.0	80.0	6.3
7.0	80.0	80.0	80.0	80.0	80.0	80.0	80.0	80.0	7.0
8.0	74.2	73.9	73.7	73.2	73.1	72.3	72.4	71.4	8.0
9.0	63.5	63.1	62.8	62.1	62.0	61.0	61.1	59.6	9.0
10.0	54.1	53.8	53.4	52.9	52.7	51.8	51.8	50.6	10.0
12.0	41.4	41.1	40.7	40.3	40.0	39.4	39.2	38.3	12.0
14.0	33.1	32.9	32.5	32.2	31.8	31.4	31.0	30.4	14.0
16.0	27.4	27.2	26.8	26.5	26.1	25.8	25.4	24.9	16.0
18.0	23.1	23.0	22.5	22.4	21.9	21.6	21.2	20.8	18.0
20.0	19.8	19.8	19.3	19.2	18.6	18.5	18.0	17.7	20.0
22.0	17.2	17.2	16.7	16.6	16.1	16.0	15.4	15.3	22.0
24.0	16.9 /22.3	16.9 /22.3	16.4 /22.3	16.3 /22.3	15.8 /22.3	15.7 /22.3	15.1 /22.3	15.0 /22.3	24.0

Unit: ton

Boom length (m)	27								Boom length (m)
Jib length (m)	10		16		22		28		Jib length (m)
Offset angle (deg) Radius (m)	10	30	10	30	10	30	10	30	Offset angle (deg) Radius (m)
6.3	80.0 /6.8	80.0 /6.8	80.0 /6.8	80.0 /6.8	80.0 /6.8	80.0 /6.8	80.0 /6.8	80.0 /6.8	6.3
7.0	80.0	80.0	80.0	80.0	80.0	80.0	80.0	80.0	7.0
8.0	74.0	73.7	73.5	73.0	73.0	72.2	72.3	71.2	8.0
9.0	63.5	63.1	62.8	62.1	62.0	61.0	61.2	59.7	9.0
10.0	54.1	53.7	53.4	52.8	52.7	51.8	51.9	50.6	10.0
12.0	41.3	41.0	40.7	40.2	40.0	39.3	39.2	38.3	12.0
14.0	33.0	32.8	32.5	32.1	31.8	31.3	31.1	30.4	14.0
16.0	27.3	27.1	26.7	26.4	26.1	25.7	25.4	24.8	16.0
18.0	23.0	22.9	22.4	22.2	21.8	21.5	21.1	20.8	18.0
20.0	19.7	19.6	19.2	19.0	18.6	18.4	17.9	17.6	20.0
22.0	17.1	17.0	16.6	16.5	16.0	15.9	15.4	15.2	22.0
24.0	15.0	15.0	14.5	14.4	13.9	13.9	13.3	13.2	24.0
26.0	14.2 /24.9	14.2 /24.9	13.7 /24.9	13.6 /24.9	13.1 /24.9	13.1 /24.9	12.5 /24.9	12.4 /24.9	26.0

- The rated loads are determined according to EN13000 rating with the machine on firm level ground.
- The figures surrounded by bold lines are based on factors other than those which would cause a tipping condition.
- To calculate the maximum load that can actually be lifted, deduct weight of all lifting accessories, such as boom hook and jib hook, from figures shown above.
- Working radius is the horizontal distance from the slewing center to the center of gravity of a lifted load.
- The offset angles shown are of jib boom offset angle against the main boom, under load.
- The counter weight is 49.6 ton.
- Correlation between the number of reeved lines, maximum rated loads, hook weights are shown in the table below.

Hook Capacity (t)	Hook Weight (t)	Maximum rated loads (t)						
		7falls	6falls	5falls	4falls	3falls	2falls	1fall
120	1.64	84	72	60	48	36	24	
80	1.35	80	72	60	48	36	24	
35	0.90					35	24	
12	0.51							12

■ Main Boom with Crane Jib (With Tower Boom Extensions)



									Unit: ton
Boom length (m)	30								Boom length (m)
Jib length (m)	10		16		22		28		Jib length (m)
Offset angle (deg) Radius (m)	10	30	10	30	10	30	10	30	Offset angle (deg) Radius (m)
7.4	72.0	72.0	72.0	72.0	72.0	72.0	72.0	72.0 / 7.4	7.4
8.0	72.0	72.0	72.0	72.0	72.0	71.1	71.2	69.6	8.0
9.0	63.4	63.0	62.8	62.0	62.0	60.9	61.1	59.7	9.0
10.0	54.0	53.6	53.4	52.8	52.7	51.7	51.9	50.6	10.0
12.0	41.2	40.9	40.6	40.2	40.0	39.3	39.2	38.3	12.0
14.0	32.9	32.7	32.4	32.0	31.8	31.2	31.1	30.3	14.0
16.0	27.2	27.0	26.6	26.3	26.0	25.6	25.3	24.8	16.0
18.0	22.9	22.7	22.4	22.1	21.8	21.4	21.1	20.7	18.0
20.0	19.6	19.5	19.1	18.9	18.5	18.3	17.9	17.5	20.0
22.0	17.0	16.9	16.5	16.4	15.9	15.7	15.3	15.1	22.0
24.0	14.9	14.8	14.4	14.3	13.8	13.7	13.2	13.1	24.0
26.0	13.1	13.1	12.7	12.6	12.1	12.0	11.5	11.4	26.0
28.0	12.0 / 27.5	12.0 / 27.5	11.6 / 27.5	11.5 / 27.5	11.0 / 27.5	11.0 / 27.5	10.5 / 27.5	10.4 / 27.5	28.0

									Unit: ton
Boom length (m)	33								Boom length (m)
Jib length (m)	10		16		22		28		Jib length (m)
Offset angle (deg) Radius (m)	10	30	10	30	10	30	10	30	Offset angle (deg) Radius (m)
7.4	72.0 / 7.9	72.0 / 7.9	72.0 / 7.9	71.9 / 7.9	71.8 / 7.9	70.6 / 7.9	70.8 / 7.9	69.2 / 7.9	7.4
8.0	72.0	71.9	71.6	70.8	70.7	69.5	69.7	68.0	8.0
9.0	62.5	62.1	61.7	61.1	60.9	59.9	59.9	58.5	9.0
10.0	54.0	53.6	53.4	52.7	52.7	51.7	51.9	50.6	10.0
12.0	41.2	40.9	40.6	40.1	40.0	39.3	39.3	38.3	12.0
14.0	32.9	32.7	32.4	32.0	31.7	31.2	31.1	30.3	14.0
16.0	27.1	26.9	26.6	26.3	26.0	25.6	25.4	24.7	16.0
18.0	22.8	22.7	22.3	22.1	21.7	21.4	21.1	20.6	18.0
20.0	19.5	19.4	19.0	18.8	18.5	18.2	17.9	17.5	20.0
22.0	16.9	16.8	16.4	16.3	15.9	15.7	15.3	15.0	22.0
24.0	14.8	14.7	14.3	14.2	13.8	13.6	13.2	13.0	24.0
26.0	13.1	13.0	12.6	12.5	12.1	12.0	11.5	11.3	26.0
28.0	11.6	11.6	11.2	11.1	10.7	10.6	10.1	10.0	28.0
30.0	10.4	10.3	9.9	9.9	9.4	9.4	8.9	8.8	30.0
32.0	10.3 / 30.1	10.3 / 30.1	9.9 / 30.1	9.8 / 30.1	9.4 / 30.1	9.3 / 30.1	8.8 / 30.1	8.8 / 30.1	32.0

• For notes about the table above, refer to page 46.

■ Main Boom with Crane Jib (With Tower Boom Extensions)



Unit: ton

Boom length (m)	36								Boom length (m)
Jib length (m)	10		16		22		28		Jib length (m)
Offset angle (deg) Radius (m)	10	30	10	30	10	30	10	30	Offset angle (deg) Radius (m)
8.5	60.0	60.0	60.0	60.0	60.0	60.0	60.0	60.0	8.5
9.0	60.0	60.0	60.0	59.6	59.5	58.5	58.6	57.2	9.0
10.0	53.6	53.3	52.9	52.3	52.1	51.3	51.3	50.1	10.0
12.0	41.1	40.8	40.5	40.0	39.9	39.2	39.2	38.2	12.0
14.0	32.8	32.5	32.2	31.9	31.7	31.1	31.0	30.2	14.0
16.0	27.0	26.8	26.5	26.1	25.9	25.4	25.3	24.6	16.0
18.0	22.7	22.5	22.2	21.9	21.6	21.3	21.0	20.5	18.0
20.0	19.4	19.3	18.9	18.7	18.4	18.1	17.8	17.4	20.0
22.0	16.8	16.7	16.3	16.1	15.8	15.5	15.2	14.9	22.0
24.0	14.7	14.6	14.2	14.0	13.7	13.5	13.1	12.8	24.0
26.0	12.9	12.8	12.4	12.3	11.9	11.8	11.4	11.2	26.0
28.0	11.4	11.4	11.0	10.9	10.5	10.4	9.9	9.8	28.0
30.0	10.2	10.1	9.7	9.7	9.3	9.2	8.7	8.6	30.0
32.0	9.1	9.1	8.7	8.6	8.2	8.1	7.7	7.6	32.0
34.0	8.8 /32.7	8.7 /32.7	8.3 /32.7	8.3 /32.7	7.9 /32.7	7.8 /32.7	7.3 /32.7	7.3 /32.7	34.0

Unit: ton

Boom length (m)	39								Boom length (m)
Jib length (m)	10		16		22		28		Jib length (m)
Offset angle (deg) Radius (m)	10	30	10	30	10	30	10	30	Offset angle (deg) Radius (m)
9.0	59.7	59.3	59.0	58.3	58.2	57.2	57.3	55.9	9.0
10.0	52.5	52.1	51.8	51.2	51.1	50.2	50.2	49.0	10.0
12.0	40.9	40.6	40.3	39.8	39.7	39.0	39.1	38.0	12.0
14.0	32.6	32.3	32.1	31.7	31.5	30.9	30.9	30.0	14.0
16.0	26.8	26.6	26.3	25.9	25.7	25.2	25.1	24.4	16.0
18.0	22.5	22.3	22.0	21.7	21.5	21.1	20.9	20.3	18.0
20.0	19.2	19.0	18.7	18.5	18.2	17.8	17.6	17.2	20.0
22.0	16.6	16.4	16.1	15.9	15.6	15.3	15.0	14.6	22.0
24.0	14.4	14.3	14.0	13.8	13.5	13.2	12.9	12.6	24.0
26.0	12.7	12.6	12.2	12.1	11.7	11.5	11.2	10.9	26.0
28.0	11.2	11.1	10.8	10.7	10.3	10.1	9.8	9.5	28.0
30.0	9.9	9.9	9.5	9.4	9.0	8.9	8.5	8.4	30.0
32.0	8.9	8.8	8.4	8.4	8.0	7.9	7.5	7.4	32.0
34.0	7.9	7.9	7.5	7.5	7.1	7.0	6.6	6.5	34.0
36.0	7.4 /35.3	7.4 /35.3	7.0 /35.3	6.9 /35.3	6.5 /35.3	6.5 /35.3	6.0 /35.3	6.0 /35.3	36.0

• For notes about the table above, refer to page 46.

■ Main Boom with Crane Jib (With Tower Boom Extensions)



Unit: ton									
Boom length (m)	42								Boom length (m)
Jib length (m)	10		16		22		28		Jib length (m)
Offset angle (deg) Radius (m)	10	30	10	30	10	30	10	30	Offset angle (deg) Radius (m)
9.6	48.0	48.0	48.0	48.0	48.0	48.0	48.0	48.0	9.6
10.0	48.0	48.0	48.0	48.0	48.0	48.0	48.0	48.0	10.0
12.0	40.9	40.6	40.4	39.9	39.8	39.0	39.1	38.1	12.0
14.0	32.6	32.3	32.1	31.7	31.5	30.9	30.9	30.1	14.0
16.0	26.8	26.6	26.3	25.9	25.7	25.2	25.1	24.5	16.0
18.0	22.5	22.3	22.0	21.7	21.5	21.1	20.9	20.3	18.0
20.0	19.1	19.0	18.7	18.5	18.2	17.8	17.6	17.2	20.0
22.0	16.5	16.4	16.1	15.9	15.6	15.3	15.0	14.6	22.0
24.0	14.4	14.3	14.0	13.8	13.5	13.2	12.9	12.6	24.0
26.0	12.6	12.6	12.2	12.1	11.7	11.5	11.2	10.9	26.0
28.0	11.2	11.1	10.7	10.6	10.3	10.1	9.7	9.5	28.0
30.0	9.9	9.8	9.5	9.4	9.0	8.9	8.5	8.3	30.0
32.0	8.8	8.8	8.4	8.3	7.9	7.8	7.4	7.3	32.0
34.0	7.9	7.8	7.5	7.4	7.0	6.9	6.5	6.4	34.0
36.0	7.1	7.0	6.6	6.6	6.2	6.1	5.7	5.6	36.0
38.0	6.4 /37.9	6.3 /37.9	6.0 /37.9	5.9 /37.9	5.5 /37.9	5.5 /37.9	5.1 /37.9	5.0 /37.9	38.0

Unit: ton									
Boom length (m)	45								Boom length (m)
Jib length (m)	10		16		22		28		Jib length (m)
Offset angle (deg) Radius (m)	10	30	10	30	10	30	10	30	Offset angle (deg) Radius (m)
10.0	48.0 /10.1	48.0 /10.1	48.0 /10.1	48.0 /10.1	48.0 /10.1	47.5 /10.1	47.5 /10.1	46.3 /10.1	10.0
12.0	40.4	40.1	39.7	39.3	39.1	38.4	38.3	37.3	12.0
14.0	32.4	32.1	31.9	31.5	31.3	30.7	30.7	29.9	14.0
16.0	26.5	26.3	26.1	25.7	25.5	25.0	25.0	24.3	16.0
18.0	22.2	22.1	21.8	21.5	21.3	20.8	20.7	20.1	18.0
20.0	18.9	18.8	18.5	18.2	18.0	17.6	17.4	16.9	20.0
22.0	16.3	16.2	15.9	15.6	15.4	15.1	14.8	14.4	22.0
24.0	14.2	14.1	13.7	13.6	13.3	13.0	12.7	12.4	24.0
26.0	12.4	12.3	12.0	11.8	11.5	11.3	11.0	10.7	26.0
28.0	10.9	10.8	10.5	10.4	10.0	9.8	9.5	9.3	28.0
30.0	9.7	9.6	9.2	9.1	8.8	8.6	8.3	8.1	30.0
32.0	8.6	8.5	8.2	8.1	7.7	7.6	7.2	7.0	32.0
34.0	7.6	7.6	7.2	7.1	6.8	6.7	6.3	6.2	34.0
36.0	6.8	6.8	6.4	6.3	6.0	5.9	5.5	5.4	36.0
38.0	6.1	6.0	5.7	5.6	5.2	5.2	4.8	4.7	38.0
40.0	5.4	5.4	5.0	5.0	4.6	4.6	4.1	4.1	40.0
42.0	5.3 /40.5	5.2 /40.5	4.9 /40.5	4.9 /40.5	4.5 /40.5	4.4 /40.5	4.0 /40.5	4.0 /40.5	42.0

• For notes about the table above, refer to page 46.

■ Main Boom with Crane Jib (With Tower Boom Extensions)



Unit: ton									
Boom length (m)	48								Boom length (m)
Jib length (m)	10		16		22		28		Jib length (m)
Offset angle (deg) Radius (m)	10	30	10	30	10	30	10	30	Offset angle (deg) Radius (m)
10.6	36.0	36.0	36.0	36.0	36.0	36.0	36.0	36.0	10.6
12.0	36.0	36.0	36.0	36.0	36.0	36.0	36.0	36.0	12.0
14.0	32.4	32.1	31.9	31.5	31.4	30.7	30.8	29.9	14.0
16.0	26.5	26.3	26.1	25.7	25.6	25.0	25.0	24.3	16.0
18.0	22.2	22.0	21.8	21.5	21.3	20.8	20.7	20.1	18.0
20.0	18.9	18.8	18.5	18.2	18.0	17.6	17.4	16.9	20.0
22.0	16.3	16.1	15.8	15.6	15.4	15.0	14.8	14.4	22.0
24.0	14.1	14.0	13.7	13.5	13.2	13.0	12.7	12.4	24.0
26.0	12.4	12.3	12.0	11.8	11.5	11.3	11.0	10.7	26.0
28.0	10.9	10.8	10.5	10.3	10.0	9.8	9.5	9.2	28.0
30.0	9.6	9.5	9.2	9.1	8.8	8.6	8.3	8.0	30.0
32.0	8.5	8.5	8.1	8.0	7.7	7.5	7.2	7.0	32.0
34.0	7.6	7.5	7.2	7.1	6.7	6.6	6.3	6.1	34.0
36.0	6.7	6.7	6.3	6.3	5.9	5.8	5.5	5.3	36.0
38.0	6.0	6.0	5.6	5.6	5.2	5.1	4.7	4.6	38.0
40.0	5.4	5.3	5.0	4.9	4.5	4.5	4.1	4.0	40.0
42.0	4.8	4.7	4.4	4.3	4.0	3.9	3.5	3.5	42.0
44.0	4.5 /43.1	4.4 /43.1	4.1 /43.1	4.1 /43.1	3.7 /43.1	3.6 /43.1	3.2 /43.1	3.2 /43.1	44.0

Unit: ton									
Boom length (m)	51								Boom length (m)
Jib length (m)	10		16		22		28		Jib length (m)
Offset angle (deg) Radius (m)	10	30	10	30	10	30	10	30	Offset angle (deg) Radius (m)
10.6	36.0 /11.2	36.0 /11.2	36.0 /11.2	36.0 /11.2	36.0 /11.2	36.0 /11.2	36.0 /11.2	36.0 /11.2	10.6
12.0	36.0	36.0	36.0	36.0	36.0	36.0	36.0	35.9	12.0
14.0	32.2	31.9	31.6	31.2	31.0	30.4	30.3	29.5	14.0
16.0	26.4	26.2	26.0	25.6	25.5	24.9	24.9	24.2	16.0
18.0	22.1	21.9	21.7	21.4	21.2	20.7	20.6	20.0	18.0
20.0	18.8	18.6	18.3	18.1	17.9	17.5	17.4	16.8	20.0
22.0	16.2	16.0	15.7	15.5	15.3	14.9	14.7	14.3	22.0
24.0	14.0	13.9	13.6	13.4	13.1	12.8	12.6	12.2	24.0
26.0	12.2	12.1	11.8	11.7	11.4	11.1	10.9	10.5	26.0
28.0	10.8	10.7	10.4	10.2	9.9	9.7	9.4	9.1	28.0
30.0	9.5	9.4	9.1	9.0	8.6	8.5	8.2	7.9	30.0
32.0	8.4	8.3	8.0	7.9	7.6	7.4	7.1	6.9	32.0
34.0	7.4	7.4	7.0	6.9	6.6	6.5	6.2	6.0	34.0
36.0	6.6	6.6	6.2	6.1	5.8	5.7	5.3	5.2	36.0
38.0	5.9	5.8	5.5	5.4	5.1	5.0	4.6	4.5	38.0
40.0	5.2	5.2	4.8	4.8	4.4	4.3	4.0	3.9	40.0
42.0	4.6	4.6	4.2	4.2	3.8	3.8	3.4	3.3	42.0
44.0	4.1	4.1	3.7	3.7	3.3	3.3	2.9	2.8	44.0
46.0	3.7 /45.7	3.7 /45.7	3.3 /45.7	3.3 /45.7	2.9 /45.7	2.9 /45.7	2.5 /45.7	2.5 /45.7	46.0

• For notes about the table above, refer to page 46.

■ Main Boom with Crane Jib (With Tower Boom Extensions)



Unit: ton									
Boom length (m)	54								Boom length (m)
Jib length (m)	10		16		22		28		Jib length (m)
Offset angle (deg) Radius (m)	10	30	10	30	10	30	10	30	Offset angle (deg) Radius (m)
11.7	36.0	36.0	36.0	36.0	36.0	36.0	35.7	35.5	11.7
12.0	36.0	36.0	36.0	36.0	36.0	36.0	35.3	35.1	12.0
14.0	31.5	31.2	30.9	30.5	30.3	29.7	29.6	28.8	14.0
16.0	26.2	26.0	25.8	25.4	25.3	24.7	24.7	24.0	16.0
18.0	21.9	21.7	21.4	21.1	21.0	20.5	20.4	19.8	18.0
20.0	18.6	18.4	18.1	17.9	17.7	17.3	17.1	16.6	20.0
22.0	15.9	15.8	15.5	15.3	15.0	14.7	14.5	14.1	22.0
24.0	13.8	13.7	13.4	13.2	12.9	12.6	12.4	12.0	24.0
26.0	12.0	11.9	11.6	11.4	11.2	10.9	10.7	10.3	26.0
28.0	10.5	10.4	10.1	10.0	9.7	9.4	9.2	8.9	28.0
30.0	9.2	9.2	8.8	8.7	8.4	8.2	7.9	7.7	30.0
32.0	8.1	8.1	7.8	7.6	7.3	7.2	6.9	6.6	32.0
34.0	7.2	7.1	6.8	6.7	6.4	6.2	5.9	5.7	34.0
36.0	6.4	6.3	6.0	5.9	5.6	5.4	5.1	4.9	36.0
38.0	5.6	5.6	5.2	5.2	4.8	4.7	4.4	4.2	38.0
40.0	5.0	4.9	4.6	4.5	4.2	4.1	3.7	3.6	40.0
42.0	4.4	4.3	4.0	3.9	3.6	3.5	3.2	3.0	42.0
44.0	3.8	3.8	3.5	3.4	3.1	3.0	2.6	2.6	44.0
46.0	3.4	3.3	3.0	3.0	2.6	2.5	2.2	2.1	46.0
48.0	2.9	2.9	2.6	2.5	2.2	2.1	1.9 /47.5	1.9 /47.0	48.0
50.0	2.9 /48.3	2.8 /48.3	2.5 /48.3	2.5 /48.3	2.1 /48.3	2.1 /48.3			50.0

Unit: ton									
Boom length (m)	57								Boom length (m)
Jib length (m)	10		16		22		28		Jib length (m)
Offset angle (deg) Radius (m)	10	30	10	30	10	30	10	30	Offset angle (deg) Radius (m)
12.0	35.0 /12.3	35.0 /12.3	34.0 /12.3	33.9 /12.3	32.8 /12.3	32.7 /12.3	31.5 /12.3	31.3 /12.3	12.0
14.0	30.9	30.6	30.3	29.9	29.7	29.1	29.0	28.2	14.0
16.0	26.1	25.9	25.5	25.2	25.0	24.4	24.3	23.6	16.0
18.0	21.7	21.6	21.3	21.0	20.8	20.4	20.3	19.7	18.0
20.0	18.4	18.3	18.0	17.7	17.5	17.1	17.0	16.5	20.0
22.0	15.8	15.6	15.4	15.1	14.9	14.6	14.4	13.9	22.0
24.0	13.6	13.5	13.2	13.0	12.8	12.5	12.3	11.9	24.0
26.0	11.9	11.8	11.5	11.3	11.0	10.8	10.6	10.2	26.0
28.0	10.4	10.3	10.0	9.8	9.5	9.3	9.1	8.8	28.0
30.0	9.1	9.0	8.7	8.6	8.3	8.1	7.8	7.5	30.0
32.0	8.0	7.9	7.6	7.5	7.2	7.0	6.7	6.5	32.0
34.0	7.0	7.0	6.7	6.5	6.2	6.1	5.8	5.6	34.0
36.0	6.2	6.1	5.8	5.7	5.4	5.3	5.0	4.8	36.0
38.0	5.5	5.4	5.1	5.0	4.7	4.6	4.2	4.1	38.0
40.0	4.8	4.8	4.4	4.4	4.0	3.9	3.6	3.4	40.0
42.0	4.2	4.2	3.8	3.8	3.4	3.4	3.0	2.9	42.0
44.0	3.7	3.6	3.3	3.3	2.9	2.8	2.5	2.4	44.0
46.0	3.2	3.2	2.8	2.8	2.4	2.4	2.0	1.9	46.0
48.0	2.8	2.7	2.4	2.4	2.0	2.0	1.9 /46.5		48.0
50.0	2.4	2.4	2.0	2.0	1.9 /48.5	1.9 /48.5			50.0
52.0	2.2 /50.9	2.2 /50.9	1.9 /50.9	1.9 /50.4					52.0

• For notes about the table above, refer to page 46.

■ Main Boom with Crane Jib (With Tower Boom Extensions)



									Unit: ton
Boom length (m)	60								Boom length (m)
Jib length (m)	10		16		22		28		Jib length (m)
Offset angle (deg) Radius (m)	10	30	10	30	10	30	10	30	Offset angle (deg) Radius (m)
12.9	24.0	24.0	24.0	24.0	24.0	24.0	24.0	24.0	12.9
14.0	24.0	24.0	24.0	24.0	24.0	24.0	24.0	24.0	14.0
16.0	24.0	24.0	24.0	24.0	24.0	23.9	23.8	23.1	16.0
18.0	21.8	21.6	21.3	21.0	20.8	20.4	20.2	19.6	18.0
20.0	18.4	18.3	18.0	17.7	17.5	17.1	17.1	16.5	20.0
22.0	15.8	15.6	15.4	15.1	14.9	14.6	14.4	13.9	22.0
24.0	13.6	13.5	13.2	13.0	12.8	12.5	12.3	11.9	24.0
26.0	11.8	11.7	11.4	11.3	11.0	10.7	10.5	10.2	26.0
28.0	10.3	10.2	9.9	9.8	9.5	9.3	9.1	8.7	28.0
30.0	9.1	9.0	8.7	8.5	8.2	8.0	7.8	7.5	30.0
32.0	8.0	7.9	7.6	7.4	7.2	7.0	6.7	6.4	32.0
34.0	7.0	6.9	6.6	6.5	6.2	6.0	5.8	5.5	34.0
36.0	6.1	6.1	5.8	5.7	5.4	5.2	4.9	4.7	36.0
38.0	5.4	5.3	5.0	4.9	4.6	4.5	4.2	4.0	38.0
40.0	4.7	4.7	4.4	4.3	4.0	3.8	3.5	3.4	40.0
42.0	4.1	4.1	3.8	3.7	3.4	3.3	2.9	2.8	42.0
44.0	3.6	3.5	3.2	3.2	2.8	2.7	2.4	2.3	44.0
46.0	3.1	3.1	2.7	2.7	2.4	2.3	1.9	1.9 /45.6	46.0
48.0	2.7	2.6	2.3	2.3	1.9	1.9			48.0
50.0	2.3	2.2	1.9	1.9					50.0
52.0	1.9	1.9							52.0

									Unit: ton
Boom length (m)	63								Boom length (m)
Jib length (m)	10		16		22		28		Jib length (m)
Offset angle (deg) Radius (m)	10	30	10	30	10	30	10	30	Offset angle (deg) Radius (m)
12.9	24.0 /13.5	24.0 /13.5	24.0 /13.5	24.0 /13.5	24.0 /13.5	24.0 /13.5	23.6 /13.5	23.4 /13.5	12.9
14.0	24.0	24.0	24.0	24.0	24.0	24.0	23.2	23.0	14.0
16.0	24.0	24.0	23.4	23.4	22.4	22.4	21.4	21.4	16.0
18.0	21.3	21.1	20.8	20.5	20.3	19.8	19.7	19.1	18.0
20.0	18.2	18.0	17.8	17.5	17.3	16.9	16.8	16.3	20.0
22.0	15.5	15.4	15.1	14.9	14.7	14.3	14.2	13.7	22.0
24.0	13.4	13.3	13.0	12.8	12.6	12.2	12.1	11.6	24.0
26.0	11.6	11.5	11.2	11.0	10.8	10.5	10.3	9.9	26.0
28.0	10.1	10.0	9.7	9.5	9.3	9.0	8.8	8.5	28.0
30.0	8.8	8.7	8.4	8.3	8.0	7.8	7.6	7.3	30.0
32.0	7.7	7.6	7.3	7.2	6.9	6.7	6.5	6.2	32.0
34.0	6.8	6.7	6.4	6.2	6.0	5.8	5.5	5.3	34.0
36.0	5.9	5.8	5.5	5.4	5.1	5.0	4.7	4.5	36.0
38.0	5.2	5.1	4.8	4.7	4.4	4.2	4.0	3.8	38.0
40.0	4.5	4.4	4.1	4.0	3.7	3.6	3.3	3.1	40.0
42.0	3.9	3.8	3.5	3.4	3.1	3.0	2.7	2.6	42.0
44.0	3.3	3.3	3.0	2.9	2.6	2.5	2.2	2.0	44.0
46.0	2.9	2.8	2.5	2.4	2.1	2.0	1.9 /45.2	1.9 /44.5	46.0
48.0	2.4	2.4	2.1	2.0	1.9 /47.0	1.9 /46.5			48.0
50.0	2.0	2.0	1.9 /49.0	1.9 /48.5					50.0
52.0	1.9 /50.5	1.9 /50.5							52.0

• For notes about the table above, refer to page 46.

■ Main Boom (Using Third Winch) (With Tower Boom Extensions)



Working Radius (m)	Boom length (m)											Unit: ton
	15	18	21	24	27	30	33	36	39	42	45	Working Radius (m)
4.6	120.0											4.6
5.0	120.0	108.0 /5.2										5.0
5.5	109.9	108.0	84.0 /5.7									5.5
6.0	101.1	100.9	84.0	72.0 /6.3	72.0 /6.8							6.0
7.0	87.0	86.8	84.0	72.0	72.0	60.0 /7.4	48.0 /7.9					7.0
8.0	76.3	76.1	75.9	72.0	72.0	60.0	48.0	48.0 /8.5				8.0
9.0	64.8	64.8	64.8	64.8	64.7	60.0	48.0	48.0	48.0	36.0 /9.6		9.0
10.0	55.4	55.5	55.4	55.4	55.3	55.2	48.0	48.0	48.0	36.0	36.0 /10.1	10.0
12.0	42.7	42.8	42.7	42.7	42.6	42.5	42.4	42.3	42.1	36.0	36.0	12.0
14.0	34.5	34.5	34.5	34.4	34.3	34.2	34.2	34.0	33.8	33.8	33.6	14.0
16.0	32.9 /14.5	28.8	28.7	28.7	28.6	28.4	28.4	28.2	28.0	28.0	27.8	16.0
18.0		26.3 /17.1	24.5	24.4	24.3	24.2	24.1	23.9	23.7	23.7	23.5	18.0
20.0			21.6 /19.7	21.1	21.0	20.9	20.8	20.6	20.4	20.4	20.2	20.0
22.0				18.6	18.4	18.3	18.2	18.0	17.8	17.8	17.5	22.0
24.0				18.2 /22.3	16.3	16.2	16.1	15.9	15.7	15.6	15.4	24.0
26.0					15.5 /24.9	14.4	14.3	14.1	13.9	13.9	13.6	26.0
28.0						13.3 /27.5	12.9	12.7	12.4	12.4	12.2	28.0
30.0							11.6	11.4	11.2	11.1	10.9	30.0
32.0							11.6 /30.1	10.3	10.1	10.0	9.8	32.0
34.0								10.0 /32.7	9.2	9.1	8.8	34.0
36.0									8.6 /35.3	8.3	8.0	36.0
38.0										7.6 /37.9	7.3	38.0
40.0											6.6	40.0
42.0											6.5 /40.5	42.0

Working Radius (m)	Boom length (m)						Unit: ton
	48	51	54	57	60	63	Working Radius (m)
10.0	36.0 /10.6	24.0 /11.2	24.0 /11.7				10.0
12.0	36.0	24.0	24.0	24.0 /12.3	24.0 /12.9	24.0 /13.5	12.0
14.0	33.6	24.0	24.0	24.0	24.0	24.0	14.0
16.0	27.8	24.0	24.0	24.0	24.0	24.0	16.0
18.0	23.5	23.3	23.1	23.0	22.8	22.2	18.0
20.0	20.1	20.0	19.8	19.7	19.7	19.4	20.0
22.0	17.5	17.4	17.2	17.0	17.0	16.8	22.0
24.0	15.4	15.3	15.0	14.9	14.9	14.6	24.0
26.0	13.6	13.5	13.2	13.1	13.1	12.9	26.0
28.0	12.1	12.0	11.8	11.6	11.6	11.4	28.0
30.0	10.8	10.7	10.5	10.3	10.3	10.1	30.0
32.0	9.8	9.6	9.4	9.2	9.2	9.0	32.0
34.0	8.8	8.7	8.4	8.3	8.2	8.0	34.0
36.0	8.0	7.8	7.6	7.4	7.4	7.2	36.0
38.0	7.2	7.1	6.8	6.7	6.6	6.4	38.0
40.0	6.6	6.4	6.2	6.0	6.0	5.7	40.0
42.0	6.0	5.8	5.6	5.4	5.4	5.1	42.0
44.0	5.7 /43.1	5.3	5.0	4.9	4.8	4.6	44.0
46.0		4.9 /45.7	4.6	4.4	4.3	4.1	46.0
48.0			4.1	4.0	3.9	3.6	48.0
50.0			4.1 /48.3	3.6	3.5	3.2	50.0
52.0				3.4 /50.9	3.1	2.9	52.0
54.0					2.9 /53.2	2.5	54.0
56.0						2.2 /55.8	56.0

- The rated loads are determined according to EN13000 rating with the machine on firm level ground.
- The figures surrounded by bold lines are based on factors other than those which would cause a tipping condition.
- To calculate the maximum load that can actually be lifted, deduct weight of all lifting accessories, such as boom hook and jib hook, from figures shown above.
- Working radius is the horizontal distance from the slewing center to the center of gravity of a lifted load.
- The counter weight is 49.6 ton.
- Correlation between the number of reeved lines, maximum rated loads, hook weights are shown in the table below.
- Cannot be used with 1 fall.

Hook Capacity (t)	Hook Weight (t)	Maximum rated loads (t)								
		10falls	9falls	8falls	7falls	6falls	5falls	4falls	3falls	2falls
120	1.64	120	108	96	84	72	60	48	36	24
80	1.35				80	72	60	48	36	24
35	0.90								35	24

■ Main Boom with Aux. Sheave (Using Third Winch) (With Tower Boom Extensions)



Radius (m)	Boom length (m)											Unit: ton
	15	18	21	24	27	30	33	36	39	42	45	Radius (m)
4.6	120.0											4.6
5.0	119.5	108.0 /5.2										5.0
5.5	109.1	108.0	84.0 /5.7									5.5
6.0	100.2	100.0	84.0	72.0 /6.3	72.0 /6.8							6.0
7.0	86.2	86.0	84.0	72.0	72.0	60.0 /7.4	48.0 /7.9					7.0
8.0	75.4	75.2	75.1	72.0	72.0	60.0	48.0	48.0 /8.5				8.0
9.0	64.4	64.4	64.4	64.4	64.3	60.0	48.0	48.0	48.0	36.0 /9.6		9.0
10.0	55.0	55.1	55.0	55.0	54.9	54.8	48.0	48.0	48.0	36.0	36.0 /10.1	10.0
12.0	42.4	42.4	42.3	42.3	42.2	42.1	42.0	41.9	41.7	36.0	36.0	12.0
14.0	34.2	34.2	34.1	34.1	33.9	33.8	33.7	33.6	33.4	33.4	33.1	14.0
16.0	32.6 /14.5	28.4	28.4	28.3	28.2	28.0	28.0	27.8	27.6	27.6	27.3	16.0
18.0		26.0 /17.1	24.1	24.1	23.9	23.8	23.7	23.5	23.3	23.3	23.0	18.0
20.0			21.3 /19.7	20.8	20.6	20.5	20.4	20.2	20.0	20.0	19.7	20.0
22.0				18.2	18.1	17.9	17.8	17.6	17.4	17.4	17.1	22.0
24.0				17.9 /22.3	16.0	15.8	15.7	15.5	15.3	15.2	15.0	24.0
26.0					15.1 /24.9	14.1	14.0	13.8	13.5	13.5	13.2	26.0
28.0						12.9 /27.5	12.5	12.3	12.1	12.0	11.7	28.0
30.0							11.3	11.1	10.8	10.7	10.5	30.0
32.0							11.2 /30.1	10.0	9.7	9.7	9.4	32.0
34.0								9.6 /32.7	8.8	8.7	8.5	34.0
36.0									8.3 /35.3	7.9	7.6	36.0
38.0										7.2 /37.9	6.9	38.0
40.0											6.3	40.0
42.0											6.1 /40.5	42.0

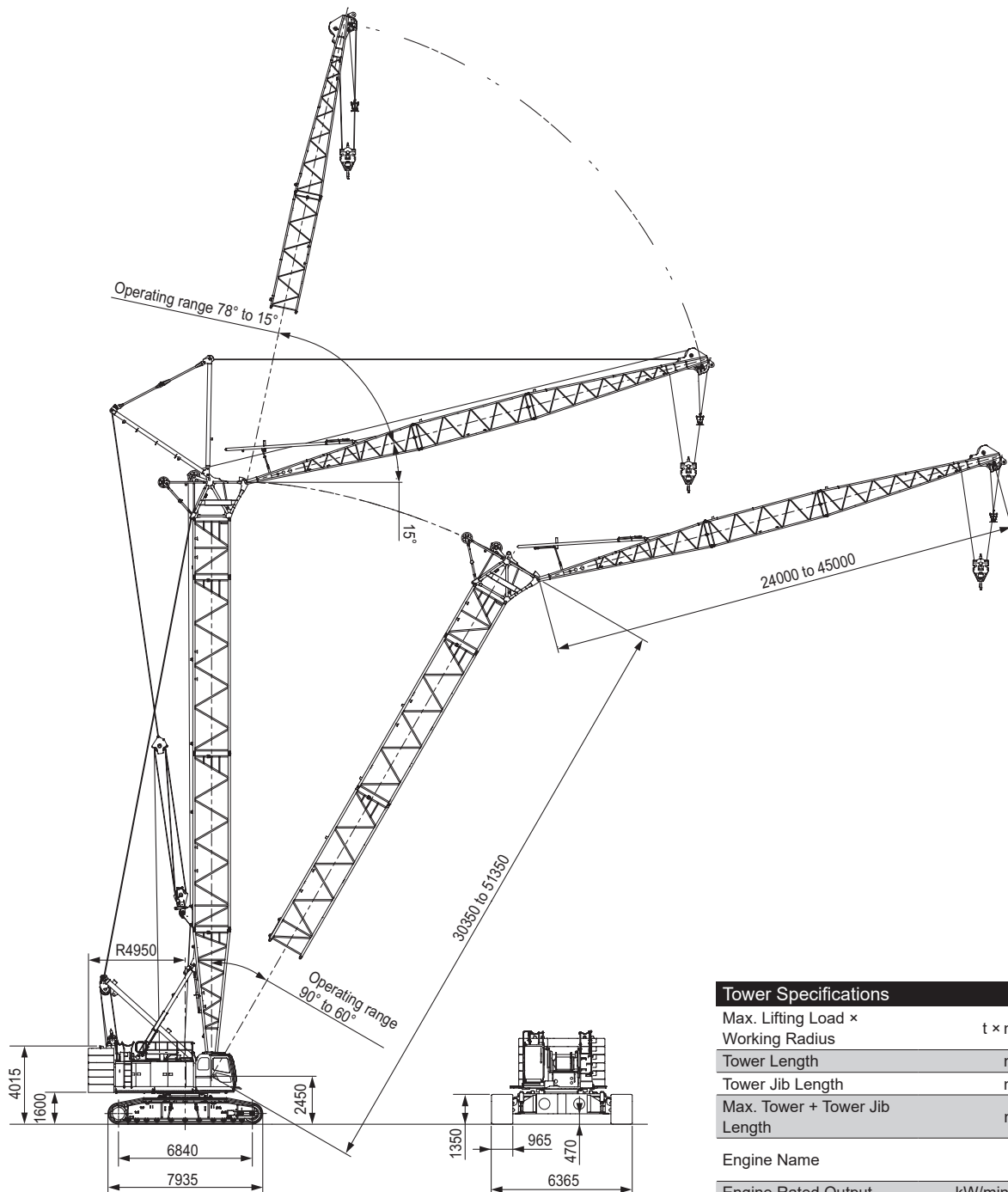
Radius (m)	Boom length (m)						Unit: ton
	48	51	54	57	60	63	Radius (m)
10.0	36.0 /10.6	24.0 /11.2	24.0 /11.7				10.0
12.0	36.0	24.0	24.0	24.0 /12.3	24.0 /12.9	24.0 /13.5	12.0
14.0	33.1	24.0	24.0	24.0	24.0	24.0	14.0
16.0	27.3	24.0	24.0	24.0	24.0	24.0	16.0
18.0	23.0	22.9	22.6	22.5	22.1	21.5	18.0
20.0	19.7	19.6	19.3	19.2	19.2	18.7	20.0
22.0	17.1	16.9	16.7	16.6	16.5	16.3	22.0
24.0	14.9	14.8	14.6	14.4	14.4	14.2	24.0
26.0	13.2	13.0	12.8	12.7	12.6	12.4	26.0
28.0	11.7	11.6	11.3	11.2	11.1	10.9	28.0
30.0	10.4	10.3	10.0	9.9	9.8	9.6	30.0
32.0	9.3	9.2	8.9	8.8	8.7	8.5	32.0
34.0	8.4	8.3	8.0	7.8	7.8	7.5	34.0
36.0	7.6	7.4	7.2	7.0	6.9	6.7	36.0
38.0	6.8	6.7	6.4	6.3	6.2	5.9	38.0
40.0	6.2	6.0	5.8	5.6	5.5	5.3	40.0
42.0	5.6	5.4	5.2	5.0	4.9	4.7	42.0
44.0	5.3 /43.1	4.9	4.6	4.5	4.4	4.1	44.0
46.0		4.5 /45.7	4.2	4.0	3.9	3.6	46.0
48.0			3.7	3.6	3.5	3.2	48.0
50.0			3.7 /48.3	3.2	3.1	2.8	50.0
52.0				3.0 /50.9	2.7	2.4	52.0
54.0					2.5 /53.2	2.1	54.0
56.0						1.9 /55.4	56.0

1. The rated loads are determined according to EN13000 rating with the machine on firm level ground.
2. The figures surrounded by bold lines are based on factors other than those which would cause a tipping condition.
3. To calculate the maximum load that can actually be lifted, deduct weight of all lifting accessories, such as boom hook and jib hook, from figures shown above.
4. Working radius is the horizontal distance from the slewing center to the center of gravity of a lifted load.
5. The counter weight is 49.6 ton.
6. Correlation between the number of reeved lines, maximum rated loads, hook weights are shown in the table below.
7. Cannot be used with 1 fall.

Hook Capacity (t)	Hook Weight (t)	Maximum rated loads (t)									
		10falls	9falls	8falls	7falls	6falls	5falls	4falls	3falls	2falls	
120	1.64	120	108	96	84	72	60	48	36	24	
80	1.35				80	72	60	48	36	24	
35	0.90							35	24		

Tower Specifications

Dimensions and Specifications



Tower Specifications

Max. Lifting Load × Working Radius	t × m	20 × 14.0
Tower Length	m	30.35 to 51.35
Tower Jib Length	m	24 to 45
Max. Tower + Tower Jib Length	m	51.35 + 45
Engine Name		ISUZU 6HK1 (Stage IIIA)
Engine Rated Output Power	kW/min ⁻¹ (ps/rpm)	200.6 / 1,850 (272 / 1,850)
Ground Contact Pressure	kPa (kgf/cm ²)	102 (1.04) (Max. Tower + Tower Jib Length)
Overall Operating Weight	t	Approximately 137 (Max. Tower + Tower Jib Length)

Note :

- Speeds marked with "*" may vary depending on load applied.
- SI units are used for specifications. In parenthesis, conventional units are also indicated.

Tower and Tower Jib Configurations

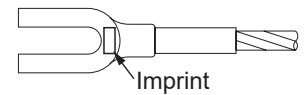
Tower	
Tower Length (m)	Tower Boom Configurations
30.35	
33.35	
36.35	
39.35	

Tower	
Tower Length (m)	Tower Boom Configurations
42.35	
45.35	
48.35	
51.35	

Check the boom pendant rope with referring to the imprints on the rope end.

Dimensions Not Shown In The Figure		
Symbols	Tower Boom Length (m)	Note
1.85	1.85	
3	3	
6	6	
7.5	7.5	
9	9	
9B	9	Jib Lower Spreader Attached
9C	9	With Rail

Pendant Rope			
Symbols	Length (m)	Rope Diameter (mm)	Imprint
2.6	2.55	40	□ • △ • 40 • 2.55 • C
3	3	40	□ • △ • 40 • 3 • C
6	6	40	□ • △ • 40 • 6 • C
9	9	40	□ • △ • 40 • 9 • C
3	3	32	□ • △ • 32 • 3 • C
6	6	32	□ • △ • 32 • 6 • C
9	9	32	□ • △ • 32 • 9 • C
10	10.15	32	□ • △ • 32 • 10.15 • C



Tower and Tower Jib Configurations

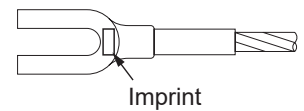
Tower Jib	
Tower Jib Length (m)	Tower Boom Configurations
24	
27	
30	
33	

Tower Jib	
Tower Jib Length (m)	Tower Boom Configurations
36	
39	
42	
45	

Dimensions Not Shown In The Figure		
Symbols	Tower Jib Length (m)	Note
3	3	
6	6	
9	9	

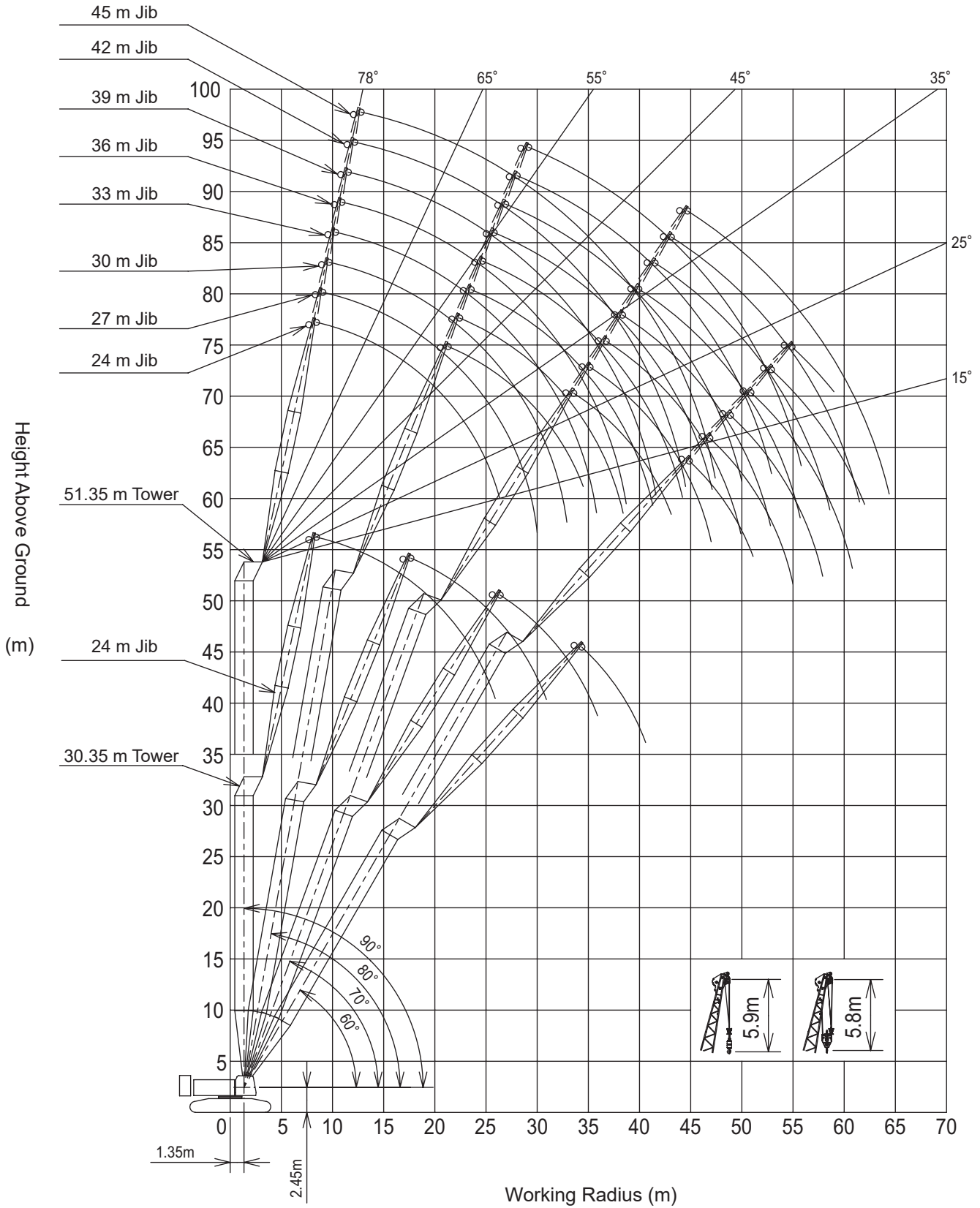
Check the tower jib pendant rope with referring to the imprints on the rope end.

Tower Jib Pendant Rope			
Symbols	Length (m)	Rope Diameter (mm)	Imprint
3	3	32	□ • △ • 32 • 3 • C
6	6	32	□ • △ • 32 • 6 • C
9	9	32	□ • △ • 32 • 9 • C
8.5	8.5 (Fittings with female connections at both ends)	32	□ • △ • 32 • 8.5 • C



Working Ranges

Tower Boom



Gross Rated Load Table

30.35 m Tower



Unit: ton

Tower Length (m)	30.35				Tower Length (m)
Jib Length (m)	24				Jib Length (m)
Tower Angle (deg)	90	80	70	60	Tower Angle (deg)
Radius (m)					Radius (m)
8.8	20.0				8.8
10.0	20.0				10.0
12.0	20.0				12.0
14.0	20.0				14.0
16.0	20.0	18.4 / 17.4			16.0
18.0	19.2	17.7			18.0
20.0	16.8	15.5			20.0
22.0	15.0	13.8			22.0
24.0	13.1	12.4			24.0
26.0	8.7/25.9	11.2	10.2		26.0
28.0		10.2	9.3		28.0
30.0		9.4	8.5		30.0
32.0		9.0 / 30.9	7.9	6.6 / 33.9	32.0
34.0			7.3	6.5	34.0
36.0			6.7 / 35.9	6.1	36.0
38.0				5.7	38.0
40.0				5.3	40.0
42.0				5.2 / 40.6	42.0

33.35 m Tower

Unit: ton

Tower Length (m)	33.35								Tower Length (m)
Jib Length (m)	24				27				Jib Length (m)
Tower Angle (deg)	90	80	70	60	90	80	70	60	Tower Angle (deg)
Radius (m)									Radius (m)
8.8	20.0				20.0/9.5				8.8
10.0	20.0				20.0				10.0
12.0	20.0				20.0				12.0
14.0	20.0				20.0				14.0
16.0	20.0				20.0				16.0
18.0	19.2	17.5			19.1	16.1 / 19.1			18.0
20.0	16.9	15.3			16.8	15.2			20.0
22.0	15.0	13.6			14.9	13.5			22.0
24.0	13.1	12.2			13.4	12.1			24.0
26.0	9.0/25.9	11.1	9.40 / 27.1		12.0	11.0			26.0
28.0		10.1	9.0		9.7	10.0	8.6 / 28.7		28.0
30.0		9.3	8.3		5.5/29.8	9.2	8.2		30.0
32.0		8.7 / 31.4	7.6			8.5	7.5		32.0
34.0			7.1	5.9 / 35.4		7.8	7.0		34.0
36.0			6.6	5.8		7.6 / 35.3	6.5	5.4 / 37.4	36.0
38.0			6.3 / 37.0	5.4			6.0	5.3	38.0
40.0				5.1			5.6	5.0	40.0
42.0				4.7			5.5 / 40.9	4.6	42.0
44.0				4.7/42.1				4.3	44.0
46.0								4.1	46.0

1. The rated loads are determined according to EN13000 rating on the condition that the machine is stationed on firm, level ground.

2. The figures surrounded by bold lines are based on factors other than those which would cause a tipping condition.

3. To calculate the maximum load that can actually be lifted, deduct weight of all lifting accessories, such as boom hook and jib hook, from figures shown above.

Hook Capacity (t)	Hook Weight (t)
35	0.90
12	0.51

4. Working radius is the horizontal distance from the slewing center to the center of gravity of a lifted load.

5. The counter weight is 49.6 ton.

6. 1 reeving line on 24m jib is not permitted.

■ 36.35 m Tower



Tower Length (m)	36.35												Unit: ton	
	24				27				30				Tower Length (m)	Jib Length (m)
Tower Angle (deg) Radius (m)	90	80	70	60	90	80	70	60	90	80	70	60	Tower Angle (deg) Radius (m)	
8.9	20.0				20.0/9.5								8.9	
10.0	20.0				20.0				20.0/10.2				10.0	
12.0	20.0				20.0				20.0				12.0	
14.0	20.0				20.0				20.0				14.0	
16.0	20.0				20.0				20.0				16.0	
18.0	19.2	16.7 /18.5			19.2	15.4 /19.6			19.1				18.0	
20.0	16.9	15.2			16.8	15.0			16.7	14.3 /20.7			20.0	
22.0	15.0	13.5			14.9	13.4			14.9	13.2			22.0	
24.0	13.2	12.2			13.4	12.0			13.3	11.9			24.0	
26.0	8.9	11.1			12.0	10.8			12.1	10.7			26.0	
28.0		10.1	8.7 /28.1		10.0	9.9	8.0 /29.7		10.9	9.8			28.0	
30.0		9.3	8.1		5.4/29.9	9.1	7.9		9.5	9.0	7.4 /31.3		30.0	
32.0		8.1 /31.9	7.4			8.4	7.3		6.5	8.3	7.2		32.0	
34.0			6.9			7.7	6.8		5.4/32.8	7.7	6.6		34.0	
36.0			6.4	5.4 /36.9		7.3 /35.8	6.3			7.1	6.2		36.0	
38.0			5.8	5.2			5.8	4.9 /38.9		6.5	5.7		38.0	
40.0				4.8			5.5	4.7		6.4 /38.7	5.4	4.4 /40.9	40.0	
42.0				4.5			5.1 /41.9	4.4			5.0	4.3	42.0	
44.0				4.2/43.6				4.1			4.6	4.0	44.0	
46.0								3.9			4.5 /44.8	3.7	46.0	
48.0								3.7 /47.5				3.5	48.0	
50.0												3.2	50.0	
52.0												3.2/50.4	52.0	

• For notes about the table above, refer to page 59.

■ 39.35 m Tower



Tower Length (m)	39.35												Unit: ton	
	24				27				30				Tower Length (m)	Jib Length (m)
Tower Angle (deg) Radius (m)	90	80	70	60	90	80	70	60	90	80	70	60	Tower Angle (deg) Radius (m)	
8.9	20.0				20.0/9.5								8.9	
10.0	20.0				20.0				20.0/10.2				10.0	
12.0	20.0				20.0				20.0				12.0	
14.0	20.0				20.0				20.0				14.0	
16.0	20.0				20.0				20.0				16.0	
18.0	19.3	16.0/19.0			19.2				19.1				18.0	
20.0	16.9	15.0			16.8	14.8/20.1			16.7	13.7/21.2			20.0	
22.0	15.0	13.3			14.9	13.2			14.9	13.1			22.0	
24.0	13.2	12.0			13.4	11.9			13.3	11.7			24.0	
26.0	9.1	10.8			12.0	10.7			12.1	10.6			26.0	
28.0		9.9	8.2/29.1		10.2	9.8			10.9	9.7			28.0	
30.0		9.1	7.8		5.5/29.9	9.0	7.5/30.7		9.5	8.9			30.0	
32.0		8.4	7.2			8.3	7.1		6.7	8.2	6.9/32.3		32.0	
34.0		8.1/32.5	6.7			7.7	6.6		5.6/32.8	7.6	6.5		34.0	
36.0			6.2			7.1	6.1			7.0	6.0		36.0	
38.0			5.8	4.8/38.4		7.0/36.4	5.7			6.5	5.6		38.0	
40.0			5.5/39.0	4.6			5.3	4.4/40.4		6.3/39.3	5.2		40.0	
42.0				4.3			4.9	4.2			4.9	4.0/42.4	42.0	
44.0				4.0			4.8/42.9	3.9			4.6	3.8	44.0	
46.0				3.8/45.1				3.7			4.2/45.8	3.5	46.0	
48.0								3.4				3.3	48.0	
50.0								3.3/49.0				3.1	50.0	
52.0												2.9/51.9	52.0	

Tower Length (m)	39.35				Unit: ton	
	33				Tower Length (m)	Jib Length (m)
Tower Angle (deg) Radius (m)	90	80	70	60	Tower Angle (deg) Radius (m)	
10.0	20.0/10.8				10.0	
12.0	20.0				12.0	
14.0	20.0				14.0	
16.0	18.9				16.0	
18.0	17.9				18.0	
20.0	16.7				20.0	
22.0	14.8	12.7/22.4			22.0	
24.0	13.3	11.7			24.0	
26.0	12.0	10.5			26.0	
28.0	11.0	9.6			28.0	
30.0	9.9	8.8			30.0	
32.0	8.8	8.1	6.4/33.9		32.0	
34.0	7.4	7.5	6.4		34.0	
36.0	4.6/35.7	7.0	5.9		36.0	
38.0		6.5	5.5		38.0	
40.0		6.1	5.1		40.0	
42.0		5.6	4.8		42.0	
44.0		5.6/42.2	4.5	3.6/44.4	44.0	
46.0			4.2	3.5	46.0	
48.0			3.9	3.2	48.0	
50.0			3.9/48.7	3.0	50.0	
52.0				2.9	52.0	
54.0				2.6	54.0	
56.0				2.6/54.8	56.0	

• For notes about the table above, refer to page 59.

42.35 m Tower



42.35													Unit: ton	
Tower Length (m)													Tower Length (m)	
Jib Length (m)	24				27				30				Jib Length (m)	
Tower Angle (deg) Radius (m)	90	80	70	60	90	80	70	60	90	80	70	60	Tower Angle (deg) Radius (m)	
8.9	20.0/8.9				20.0/9.6								8.9	
10.0	20.0				20.0				20.0/10.2				10.0	
12.0	20.0				20.0				20.0				12.0	
14.0	20.0				20.0				20.0				14.0	
16.0	20.0				20.0				20.0				16.0	
18.0	19.3	15.3 /19.5			19.2				19.1				18.0	
20.0	16.9	14.8			16.8	14.2 /20.6			16.7	13.1 /21.8			20.0	
22.0	15.0	13.2			15.0	13.1			14.9	12.9			22.0	
24.0	13.2	11.8			13.4	11.7			13.3	11.6			24.0	
26.0	9.2	10.7			12.0	10.6			12.1	10.5			26.0	
28.0		9.8			10.2	9.7			10.9	9.6			28.0	
30.0		9.0	7.6 /30.1		5.9/29.9	8.9	7.0 /31.7		9.5	8.8			30.0	
32.0		8.3	7.0			8.2	6.9		6.9	8.1	6.4 /33.3		32.0	
34.0		7.9 /33.0	6.5			7.6	6.4		5.9/32.8	7.5	6.3		34.0	
36.0			6.0			7.0	5.9			6.9	5.8		36.0	
38.0			5.6	4.4 /39.9		6.8 /36.9	5.5			6.5	5.4		38.0	
40.0			5.2	4.3			5.1	4.0 /41.9		6.0 /39.8	5.0		40.0	
42.0				4.1			4.8	3.9			4.7	3.6 /43.9	42.0	
44.0				3.8			4.5 /43.9	3.7			4.4	3.5	44.0	
46.0				3.6				3.5			4.1	3.3	46.0	
48.0				3.4 /46.6				3.2			4.0 /46.8	3.1	48.0	
50.0								3.0				2.9	50.0	
52.0								3.0/50.5				2.8	52.0	
54.0												2.6 /53.4	54.0	

42.35										Unit: ton	
Tower Length (m)									Tower Length (m)		
Jib Length (m)	33				36				Jib Length (m)		
Tower Angle (deg) Radius (m)	90	80	70	60	90	80	70	60	Tower Angle (deg) Radius (m)		
10.0	16.8/10.9				15.1/11.5				10.0		
12.0	16.2				15.1				12.0		
14.0	15.3				14.2				14.0		
16.0	14.4				13.4				16.0		
18.0	13.7				12.8				18.0		
20.0	13.1				12.2				20.0		
22.0	12.6	12.2 /22.9			11.7				22.0		
24.0	12.2	11.5			11.2	11.4			24.0		
26.0	11.9	10.4			10.9	10.3			26.0		
28.0	11.0	9.5			10.6	9.4			28.0		
30.0	9.9	8.7			10.0	8.6			30.0		
32.0	8.8	8.0			9.1	7.9			32.0		
34.0	7.5	7.4	6.0 /34.9		8.1	7.3			34.0		
36.0	4.6/35.7	6.9	5.7		7.1	6.8	5.5 /36.5		36.0		
38.0		6.4	5.3		5.2	6.3	5.2		38.0		
40.0		6.0	4.9		4.7/38.6	5.9	4.9		40.0		
42.0		5.6	4.6			5.5	4.5		42.0		
44.0		5.5 /42.7	4.3	3.2 /45.9		5.2	4.2		44.0		
46.0			4.1	3.2		4.9 /45.6	4.0	3.0 /47.9	46.0		
48.0			3.8	3.0			3.7	2.9	48.0		
50.0			3.6 /49.7	2.8			3.5	2.8	50.0		
52.0				2.7			3.3	2.6	52.0		
54.0				2.5			3.3/52.6	2.4	54.0		
56.0				2.3				2.3	56.0		
58.0				2.3/56.3				2.2	58.0		
60.0								1.9 /59.2	60.0		

* For notes about the table above, refer to page 59.

■ 45.35 m Tower



45.35													Unit: ton	
Tower Length (m)													Tower Length (m)	
Jib Length (m)	24				27				30				Jib Length (m)	
Tower Angle (deg) Radius (m)	90	80	70	60	90	80	70	60	90	80	70	60	Tower Angle (deg) Radius (m)	
8.9	20.0				20.0/9.6								8.9	
10.0	20.0				20.0				16.8/10.2				10.0	
12.0	20.0				20.0				15.9				12.0	
14.0	20.0				20.0				15.0				14.0	
16.0	20.0				20.0				14.2				16.0	
18.0	19.3				19.2				13.5				18.0	
20.0	16.9	14.7			16.8	13.5 /21.2			12.9				20.0	
22.0	15.0	13.0			15.0	12.9			12.5	12.6 /22.3			22.0	
24.0	13.2	11.7			13.4	11.6			12.1	11.5			24.0	
26.0	9.5	10.6			12.0	10.5			11.8	10.4			26.0	
28.0	9.1/26.1	9.6			10.3	9.5			10.9	9.4			28.0	
30.0		8.8	7.0 /31.2		5.8	8.7			9.5	8.6			30.0	
32.0		8.2	6.8			8.1	6.5 /32.8		7.0	8.0			32.0	
34.0		7.6 /33.5	6.3			7.5	6.2		6.0/32.8	7.4	6.0 /34.4		34.0	
36.0			5.8			6.9	5.7			6.8	5.6		36.0	
38.0			5.4			6.6/37.4	5.3			6.4	5.2		38.0	
40.0			5.1	3.9 /41.4			5.0			5.8	4.9		40.0	
42.0			4.8 /41.1	3.8			4.7	3.5 /43.4		5.8/40.3	4.5		42.0	
44.0				3.6			4.3	3.5			4.3	3.2 /45.4	44.0	
46.0				3.4			4.2 /45.0	3.2			4.0	3.1	46.0	
48.0				3.1				3.0			3.7 /47.9	2.9	48.0	
50.0				3.1/48.1				2.9				2.7	50.0	
52.0								2.7				2.6	52.0	
54.0												2.3	54.0	
56.0												2.3/54.9	56.0	

45.35													Unit: ton	
Tower Length (m)													Tower Length (m)	
Jib Length (m)	33				36				39				Jib Length (m)	
Tower Angle (deg) Radius (m)	90	80	70	60	90	80	70	60	90	80	70	60	Tower Angle (deg) Radius (m)	
10.0	15.3/10.9				13.9/11.5								10.0	
12.0	14.8				13.7				12.5/12.2				12.0	
14.0	13.9				12.9				11.8				14.0	
16.0	13.1				12.2				11.2				16.0	
18.0	12.5				11.6				10.6				18.0	
20.0	11.9				11.0				10.1				20.0	
22.0	11.5	11.7 /23.4			10.6				9.7				22.0	
24.0	11.1	11.4			10.2	10.7/24.5			9.3	9.6/25.7			24.0	
26.0	10.8	10.3			9.9	10.2			9.0	9.5			26.0	
28.0	10.5	9.3			9.6	9.3			8.7	9.1			28.0	
30.0	9.9	8.6			9.4	8.5			8.5	8.4			30.0	
32.0	8.8	7.9			9.1	7.8			8.3	7.7			32.0	
34.0	7.6	7.3	5.5 /35.9		8.1	7.2			8.1	7.1			34.0	
36.0	4.8/35.7	6.8	5.5		7.1	6.7	5.1 /37.5		7.4	6.6			36.0	
38.0		6.3	5.1		5.3	6.2	5.0		6.6	6.1	4.7 /39.1		38.0	
40.0		5.9	4.8		4.8/38.6	5.8	4.7		5.7	5.7	4.6		40.0	
42.0		5.5	4.5			5.4	4.4		3.8/41.5	5.3	4.2		42.0	
44.0		5.2 /43.2	4.2			5.1	4.1			5.0	4.0		44.0	
46.0			3.9	2.9 /47.4		4.7	3.8			4.7	3.7		46.0	
48.0			3.7	2.8		4.7/46.1	3.6	2.6 /49.4		4.4	3.5		48.0	
50.0			3.4	2.6			3.4	2.6		4.3 /49.0	3.3	2.3 /51.4	50.0	
52.0			3.3 /50.8	2.5			3.2	2.4			3.1	2.3	52.0	
54.0				2.3			3.0 /53.6	2.2			2.9	2.1	54.0	
56.0				2.2				2.1			2.7	2.0	56.0	
58.0				2.0 /57.8				2.0			2.7/56.5	1.9	58.0	
60.0								1.8				1.7	60.0	
62.0								1.8/60.7				1.6	62.0	
64.0												1.6/63.6	64.0	

• For notes about the table above, refer to page 59.

■ 48.35 m Tower



48.35													Unit: ton	
Tower Length (m)													Tower Length (m)	
Jib Length (m)	24				27				30				Jib Length (m)	
Tower Angle (deg)	90	80	70	60	90	80	70	60	90	80	70	60	Tower Angle (deg)	
Radius (m)													Radius (m)	
9.0	20.0				16.7/9.6								9.0	
10.0	20.0				16.4				15.0/10.3				10.0	
12.0	20.0				15.4				14.3				12.0	
14.0	20.0				14.5				13.4				14.0	
16.0	20.0				13.8				12.7				16.0	
18.0	19.3				13.1				12.1				18.0	
20.0	16.9	13.9/20.6			12.7	12.9/21.7			11.6				20.0	
22.0	15.0	12.8			12.3	12.7			11.2	11.7/22.8			22.0	
24.0	13.2	11.5			12.0	11.4			10.8	11.3			24.0	
26.0	9.6	10.4			11.9	10.3			10.6	10.2			26.0	
28.0	9.2/26.1	9.5			10.3	9.4			10.5	9.3			28.0	
30.0		8.7			6.1	8.6			9.5	8.5			30.0	
32.0		8.0	6.5/32.2			7.9	6.0/33.8		7.0	7.8			32.0	
34.0		7.4	6.1			7.3	5.9		5.9/32.9	7.2	5.5/35.4		34.0	
36.0			5.6			6.8	5.5			6.7	5.4		36.0	
38.0			5.2			6.4/37.9	5.1			6.3	5.0		38.0	
40.0			4.9				4.8			5.8	4.6		40.0	
42.0			4.6	3.4/42.9			4.5			5.6/40.8	4.3		42.0	
44.0			4.5/42.1	3.3			4.2	3.1/44.9			4.1		44.0	
46.0				3.1			3.9	3.0			3.8	2.7/46.9	46.0	
48.0				2.9				2.8			3.5	2.6	48.0	
50.0				2.6/49.6				2.6			3.4/48.9	2.5	50.0	
52.0								2.4				2.3	52.0	
54.0								2.4/53.5				2.2	54.0	
56.0												2.0	56.0	
58.0												2.0/56.4	58.0	

48.35													Unit: ton	
Tower Length (m)													Tower Length (m)	
Jib Length (m)	33				36				39				Jib Length (m)	
Tower Angle (deg)	90	80	70	60	90	80	70	60	90	80	70	60	Tower Angle (deg)	
Radius (m)													Radius (m)	
10.0	13.7/10.9				12.4/11.6								10.0	
12.0	13.3				12.2				11.2/12.2				12.0	
14.0	12.4				11.5				10.6				14.0	
16.0	11.8				10.9				10.0				16.0	
18.0	11.2				10.3				9.5				18.0	
20.0	10.7				9.8				9.0				20.0	
22.0	10.3	10.4/23.9			9.4				8.6				22.0	
24.0	9.9	10.3			9.1	9.4/25.1			8.3				24.0	
26.0	9.6	10.0			8.8	9.2			8.0	8.4/26.2			26.0	
28.0	9.4	9.2			8.5	8.8			7.7	8.1			28.0	
30.0	9.3	8.4			8.3	8.3			7.5	7.7			30.0	
32.0	8.8	7.7			8.2	7.7			7.4	7.4			32.0	
34.0	7.6	7.2			8.1	7.1			7.2	7.0			34.0	
36.0	4.8/35.8	6.6	5.1/37.0		7.1	6.6			7.2	6.5			36.0	
38.0		6.2	4.9		5.4	6.1	4.7/38.6		6.6	6.0			38.0	
40.0		5.8	4.5		4.8/38.7	5.7	4.5		5.8	5.6	4.3/40.1		40.0	
42.0		5.4	4.2			5.3	4.2		3.8/41.6	5.2	4.0		42.0	
44.0		5.0/43.7	4.0			5.0	3.9			4.9	3.8		44.0	
46.0			3.7			4.7	3.6			4.6	3.5		46.0	
48.0			3.5	2.5/48.9		4.6/46.6	3.4			4.3	3.3		48.0	
50.0			3.3	2.4			3.2	2.2/50.9		4.2/49.5	3.1		50.0	
52.0			3.1/51.8	2.2			3.0	2.1			2.9	1.9/52.9	52.0	
54.0				2.1			2.8	2.0			2.7	1.9	54.0	
56.0				2.0			2.8/54.7	1.9			2.6	1.7	56.0	
58.0				1.8				1.8			2.4/57.6	1.6	58.0	
60.0				1.8/59.3				1.6				1.5	60.0	
62.0								1.5				1.4	62.0	
64.0								1.5/62.2					64.0	

• For notes about the table above, refer to page 59.

■ 48.35 m Tower



Unit: ton

Tower Length (m)	48.35				Tower Length (m)
Jib Length (m)	42				Jib Length (m)
Tower Angle (deg) Radius (m)	90	80	70	60	Tower Angle (deg) Radius (m)
12.0	10.1/12.9				12.0
14.0	9.7				14.0
16.0	9.2				16.0
18.0	8.7				18.0
20.0	8.3				20.0
22.0	7.9				22.0
24.0	7.6				24.0
26.0	7.3	7.4/27.3			26.0
28.0	7.0	7.4			28.0
30.0	6.8	7.1			30.0
32.0	6.6	6.8			32.0
34.0	6.5	6.5			34.0
36.0	6.4	6.3			36.0
38.0	6.3	5.9			38.0
40.0	6.1	5.5	4.0 /41.7		40.0
42.0	5.5	5.2	3.9		42.0
44.0	4.1	4.8	3.7		44.0
46.0	3.8/44.5	4.5	3.4		46.0
48.0		4.3	3.2		48.0
50.0		4.0	3.0		50.0
52.0		3.7	2.8		52.0
54.0		3.7/52.4	2.6	1.7 /55.0	54.0
56.0			2.5	1.6	56.0
58.0			2.3	1.5	58.0
60.0			2.1	1.4	60.0
62.0			2.1/60.5		62.0

• For notes about the table above, refer to page 59.

■ 51.35 m Tower



51.35													Unit: ton	
Tower Length (m)													Tower Length (m)	
Jib Length (m)	24				27				30				Jib Length (m)	
Tower Angle (deg) Radius (m)	90	80	70	60	90	80	70	60	90	80	70	60	Tower Angle (deg) Radius (m)	
9.0	20.0 / 9.0				15.1 / 9.6								9.0	
10.0	20.0				14.9				13.5 / 10.3				10.0	
12.0	19.8				13.9				12.9				12.0	
14.0	18.7				13.1				12.1				14.0	
16.0	17.9				12.4				11.4				16.0	
18.0	17.3				11.8				10.9				18.0	
20.0	16.9	12.8 / 21.1			11.4				10.4				20.0	
22.0	15.1	12.5			11.1	11.5 / 22.2			10.0	10.1 / 23.3			22.0	
24.0	13.2	11.4			10.9	11.0			9.7	10.1			24.0	
26.0	9.8	10.3			10.8	10.2			9.5	9.6			26.0	
28.0	9.4 / 26.1	9.4			10.3	9.3			9.4	9.1			28.0	
30.0		8.6			6.3	8.5			9.4	8.4			30.0	
32.0		7.9	6.0 / 33.2			7.8			7.1	7.7			32.0	
34.0		7.3	5.8			7.2	5.5 / 34.8		6.1 / 32.9	7.1			34.0	
36.0		7.1 / 34.5	5.4			6.7	5.3			6.6	5.1 / 36.4		36.0	
38.0			5.0			6.2	4.9			6.2	4.8		38.0	
40.0			4.7			6.1 / 38.4	4.6			5.8	4.5		40.0	
42.0			4.4				4.3			5.3 / 41.3	4.2		42.0	
44.0			4.2 / 43.1	3.0 / 44.4			4.0				3.9		44.0	
46.0				2.9			3.7	2.7 / 46.4			3.6		46.0	
48.0				2.7			3.6 / 47.0	2.6			3.4	2.4 / 48.4	48.0	
50.0				2.5				2.4			3.2 / 49.9	2.3	50.0	
52.0				2.5 / 51.1				2.2				2.1	52.0	
54.0								2.0				2.0	54.0	
56.0								2.0 / 55.0				1.8	56.0	
58.0												1.7 / 57.9	58.0	

51.35													Unit: ton	
Tower Length (m)													Tower Length (m)	
Jib Length (m)	33				36				39				Jib Length (m)	
Tower Angle (deg) Radius (m)	90	80	70	60	90	80	70	60	90	80	70	60	Tower Angle (deg) Radius (m)	
10.0	12.4 / 10.9				11.1 / 11.6								10.0	
12.0	11.9				10.9				10.0 / 12.2				12.0	
14.0	11.2				10.3				9.5				14.0	
16.0	10.5				9.7				8.9				16.0	
18.0	10.0				9.2				8.5				18.0	
20.0	9.6				8.8				8.0				20.0	
22.0	9.2				8.4				7.7				22.0	
24.0	8.9	9.2 / 24.5			8.1	8.2 / 25.6			7.4				24.0	
26.0	8.6	8.9			7.8	8.1			7.1	7.4 / 26.7			26.0	
28.0	8.4	8.5			7.6	7.8			6.9	7.1			28.0	
30.0	8.3	8.1			7.5	7.5			6.7	6.8			30.0	
32.0	8.3	7.6			7.3	7.2			6.5	6.5			32.0	
34.0	7.6	7.0			7.3	6.9			6.4	6.3			34.0	
36.0	5.0 / 35.8	6.5			7.1	6.5			6.4	6.0			36.0	
38.0		6.1	4.7		5.5	6.0	4.3 / 39.6		6.4	5.9			38.0	
40.0		5.7	4.4		5.0 / 38.7	5.6	4.3		5.8	5.5	4.0 / 41.2		40.0	
42.0		5.3	4.1			5.2	4.0		3.8 / 41.6	5.1	3.8		42.0	
44.0		4.9	3.8			4.9	3.7			4.8	3.6		44.0	
46.0		4.9 / 44.2	3.6			4.6	3.5			4.5	3.3		46.0	
48.0			3.3			4.6 / 47.1	3.3			4.3	3.1		48.0	
50.0			3.1	2.1 / 50.4			3.1			4.0	2.9		50.0	
52.0			2.9	2.0			2.9	1.9 / 52.4			2.8		52.0	
54.0			2.9 / 52.8	1.9			2.7	1.8			2.6	1.6 / 54.4	54.0	
56.0				1.8			2.5 / 55.7	1.7			2.4	1.5	56.0	
58.0				1.6				1.6			2.2	1.4	58.0	
60.0				1.4				1.5			2.2 / 58.6		60.0	
62.0								1.4					62.0	

• For notes about the table above, refer to page 59.

■ 51.35 m Tower



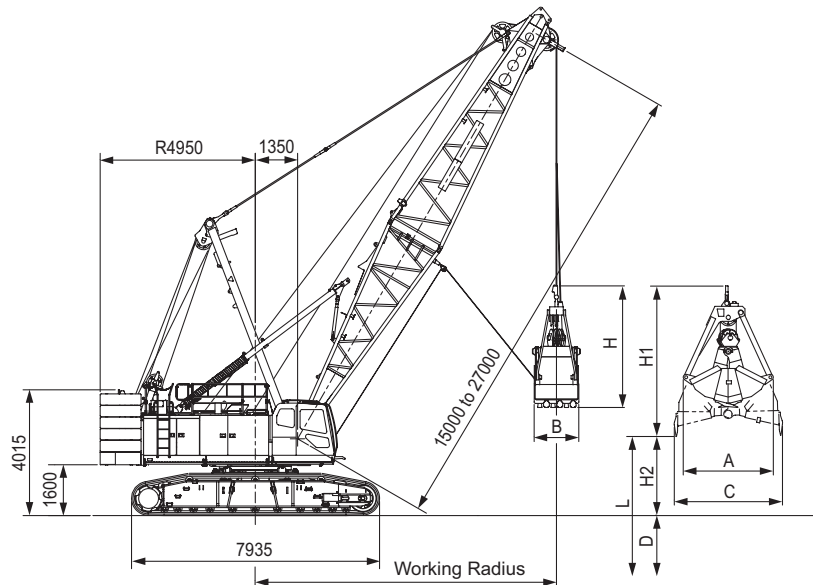
Unit: ton

Tower Length (m)	51.35						Tower Length (m)
Jib Length (m)	42			45			Jib Length (m)
Tower Angle (deg) Radius (m)	90	80	70	90	80	70	Tower Angle (deg) Radius (m)
12.0	9.0/12.9			8.1/13.5			12.0
14.0	8.7			7.9			14.0
16.0	8.2			7.5			16.0
18.0	7.8			7.1			18.0
20.0	7.4			6.7			20.0
22.0	7.0			6.4			22.0
24.0	6.7			6.1			24.0
26.0	6.4	6.5/27.8		5.8			26.0
28.0	6.2	6.4		5.6	5.8/28.9		28.0
30.0	6.0	6.2		5.4	5.7		30.0
32.0	5.9	5.9		5.3	5.4		32.0
34.0	5.7	5.7		5.1	5.2		34.0
36.0	5.6	5.5		5.0	5.0		36.0
38.0	5.6	5.3		4.9	4.8		38.0
40.0	5.6	5.1		4.9	4.6		40.0
42.0	5.5	5.0	3.6/42.8	4.8	4.5		42.0
44.0	4.2	4.7	3.5	4.8	4.3	3.4/44.4	44.0
46.0	3.9/44.5	4.4	3.3	4.4	4.2	3.2	46.0
48.0		4.2	3.0	3.0/47.4	4.1	3.0	48.0
50.0		3.9	2.8		3.9	2.8	50.0
52.0		3.7	2.7		3.6	2.6	52.0
54.0		3.6/52.9	2.5		3.4	2.4	54.0
56.0			2.3		3.3/55.8	2.3	56.0
58.0			2.2			2.1	58.0
60.0			2.1			2.0	60.0
62.0			1.9/61.5			1.9	62.0
64.0						1.7	64.0
66.0						1.7/64.4	66.0

• For notes about the table above, refer to page 59.

Clamshell Specifications

Dimensions and Specifications



Working Ranges

Boom Length	m	15				18				21				24				27			
Boom Angle	°	35	45	55	65	35	45	55	65	35	45	55	65	35	45	55	65	35	45	55	65
Working Radius	m	14.2	12.6	11	8.5	16.7	14.7	12.7	9.8	19.1	16.8	14.4	11.1	21.6	19.0	16.1	12.3	24.0	21.0	17.8	13.6
Gross Rated Load	t	10	10	10	10	10	10	10	10	10	10	10	10	10	10	10	10	10	10	10	10
Lift L (D + H2)	m	39.4	40.5	41.5	42.3	41.1	42.6	43.9	45	42.8	44.7	45.7	47.7	44.5	46.8	47.4	50.4	46.2	48.9	49.1	53.1
Max. Digging Depth D	m	36																			
Bucket Dumping Height H2	m	3.4	4.5	5.5	6.3	5.1	6.6	7.9	9	6.8	8.7	9.7	11.7	8.5	10.8	11.4	14.4	10.2	12.9	13.1	17.1

Specifications

Clamshell Specifications	
Bucket Capacity	m ³ 2.5
Allowed Maximum Gross Weight for Clamshell Bucket and Captured Load Combined	t 10
Boom Length	m 15 to 27
Maximum Digging Depth	m 36
Support Wire Rope Speed *	m/min 64
Opening/Closing Wire Rope Speed *	m/min 64
Boom Hoist Drum Wire Rope Speed (Raise) *	m/min 44
Boom Hoist Drum Wire Rope Speed (Lower) *	m/min 44
Ground Contact Pressure	kPa (kgf/cm ²) 93 (0.95) (w/ Basic Boom, 2.5 m ³ Clamshell Bucket)
Overall Operating Weight	t Approximately 125 (w/ Basic Boom, 2.5 m ³ Clamshell Bucket)

NOTE :

- Speeds marked with "*" may vary depending on load applied.
- SI units are used for specifications. In parenthesis, conventional units are also indicated.
- Specifications other than those shown above are the same as those shown in the crane specifications section.

Clamshell Bucket

Capacity (m ³)	Weight (t)	A (mm)	B (mm)	C (mm)	H (mm)	H1 (mm)
2.5	5.5	2,880	1,400	3,450	4,180	5,130

Gross Rated Load Table

Working Radius (m)	Boom Length (m)				
	15	18	21	24	27
8.5	10.0				
9.0	10.0	10.0 / 9.8			
10.0	10.0	10.0	10.0 / 11.1		
12.0	10.0	10.0	10.0	10.0 / 12.3	10.0 / 13.6
14.0	10.0 / 14.2	10.0	10.0	10.0	10.0
16.0		10.0	10.0	10.0	10.0
18.0		10.0 / 16.7	10.0	10.0	10.0
20.0			10.0 / 19.1	10.0	10.0
22.0				10.0 / 21.6	10.0
24.0					10.0

1. Max. clamshell rating is 10.0 t.
2. Mass of bucket plus load should not exceed clamshell ratings shown above. Following data are for a general digging application buckets.

Unit : t		
Bucket capacity	2.0 m ³	2.5 m ³
Bucket mass	4.5 t	5.5 t

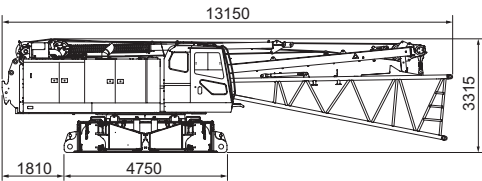
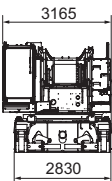
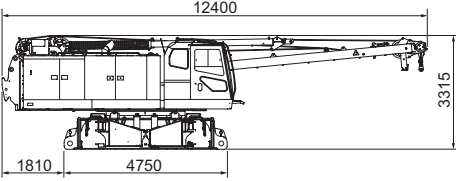
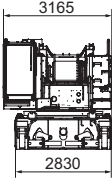
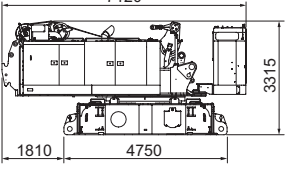
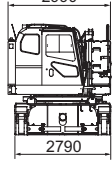
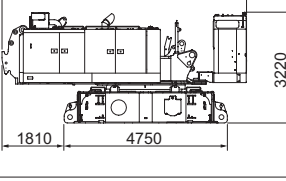
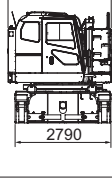
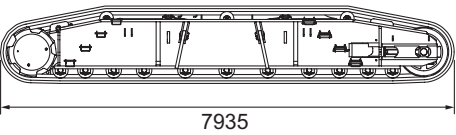
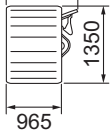
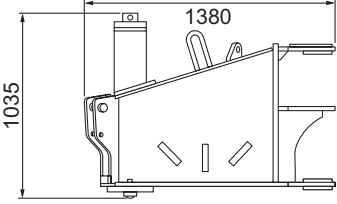
3. In case of clamshell application, a 15.0 m boom is recommended as minimum length of boom, and max. boom length shall not exceed 27.0 m.
4. Apparent specific gravity of lifting material :
Earth 1.7 to 1.8 t/m³
Gravel 1.8 to 2.0 t/m³
5. A 49.6 t counter weight is required for all capacities on these charts.
6. Max. digging depth below ground shall be 36 m.

Weights and Dimensions of Disassembled Units

Weights and Dimensions List

Comply with the regulations when transporting.
"Weight" refers to the mass of each single unit.

Weights and Dimensions of Disassembled Units

Description	Qty	Dimensions (mm)		Weight (kg)
Base Crane with: Backstops Boom Base Mast Front Winch Wire Rope Jacks Upper & Lower Spreader Floats	1			39500
Base Crane with: Backstops Mast Front Winch Wire Rope Jacks Upper & Lower Spreader Floats	1			37300
Base Crane with: Boom Hoist Winch Wire Rope Front Winch Wire Rope Upper & Lower Spreader Without: Mast Jacks Floats	1			33100
Base Crane Without: Mast Wire Rope Jacks Upper & Lower Spreader Floats	1			30000
Crawler (Assembly)	2			14200
Jack Beams	4			420

- With upper house handrails, the weight of the main unit increases by 95 kg.
- With catwalks, the weight of the main unit increases by 210 kg and the width of the main unit increases by 210 mm.

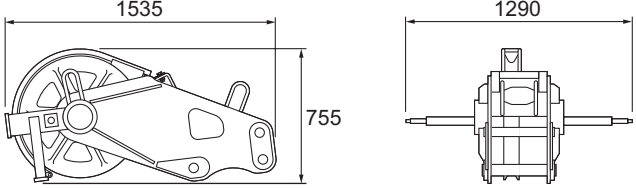
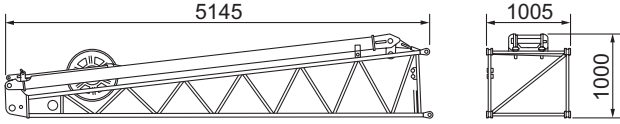
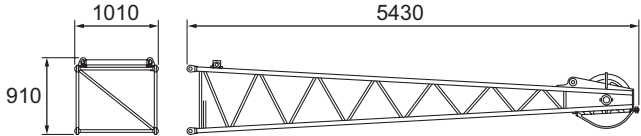
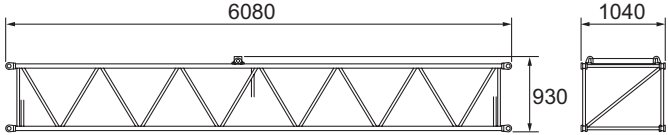
Weights and Dimensions of Disassembled Units

Description	Qty	Dimensions (mm)	Weight (kg)
Counter Weight (Base)	1		9100
Counter Weight	5		8100
Counter Weight with Self Assembly Unit (Base)	1		9100
Counter Weight (For Counter Weight with Self Assembly Unit)	3		6410
Counter Weight (For Counter Weight with Self Assembly Unit)	3		6780
Boom Base	1		2300
Boom Top	1		2200
3 m Boom Insert	1		470

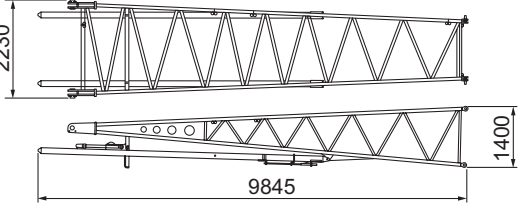
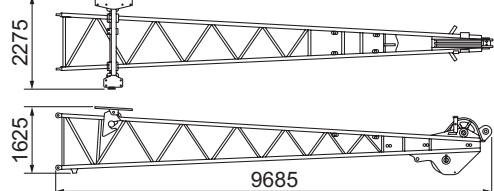
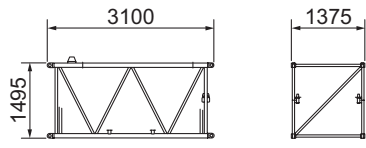
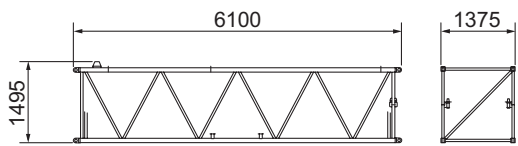
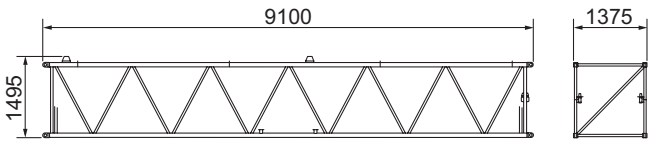
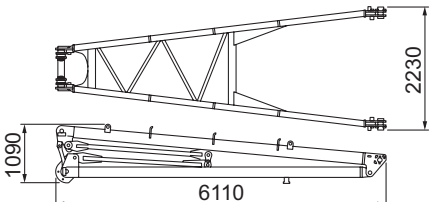
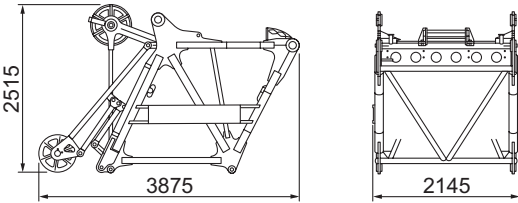
Weights and Dimensions of Disassembled Units

Description	Qty	Dimensions (mm)	Weight (kg)
6 m Boom Insert	1		760
9 m Boom Insert	1		1050
9 m (B) Boom Insert	1		1380
9 m Boom Insert (with Rail)	1		1180
Boom Backstops	2		490
Mast	1	 Width 1230	1480
Upper Spreader	1		810
Lower Spreader	1		870

Weights and Dimensions of Disassembled Units

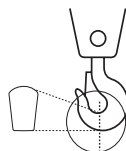
Description	Qty	Dimensions (mm)	Weight (kg)
Aux. Sheave	1		350
Jib Base (with Jib Strut)	1		580
Jib Top	1		290
6 m Jib Insert	1		190

Weights and Dimensions of Disassembled Units

Description	Qty	Dimensions (mm)	Weight (kg)
Tower/Luffing Jib Base (with Jib Backstops)	1		1100
Tower/Luffing Jib Top (with Jib Catch)	1		1240
3 m Tower/Luffing Jib Insert	1		210
6 m Tower/Luffing Jib Insert	1		360
9 m Tower/Luffing Jib Insert	1		510
Compression Member	1		1200
Tower/Luffing Boom Top (with Link and Tower Guide Roller)	1		1300

Weights and Dimensions of Disassembled Units

Description	Qty	Dimensions (mm)	Weight (kg)
Tower Guide Sheave	1		320
Tower Jib Upper Spreader	1		400
Tower Jib Lower Spreader	1		400
120 t Hook	1		1640
80 t Hook	1		1350
35 t Hook	1		900
12 t Hook	1		510



Hook cross section

The hook cross section is indicated with the dimensions corresponding to those at the cross section located at the broken line shown in each hook illustration.

Equipment List

Standard and Optional Equipment

○ : Standard ● : Optional — : No setting

Item		Crane	Crane / Tower	Clamshell
Lower Structure	965 mm Shoe	○	○	○
	965 mm Shoe (Low Wear type, Contiguous surface of roller)	●	●	●
	Jack Up Unit	○	○	○
	Crawler Side Frame Connecting Unit	○	○	○
	Steps	○	○	○
	Shoe Tension Unit (Hydraulic)	●	●	●
Upper Structure	Cab Up/Down Catwalk	○	○	○
	Under Cover (Bed lower surface)	○	○	○
	Working Light (× 2)	○	○	○
	Back Mirror (Left and right)	○	○	○
	Central Lubrication Unit (For turntable bearing)	○	○	○
	Drum Flange Cover	○	○	○
	Auto Idle Stop	○	○	○
	Eco Winch	○	○	○
	Drum Light (Front winch)	●	●	●
	Winch Rope Retainer (Front winch)	●	●	●
	Winch Rope Retainer (Rear winch)	●	●	●
	Winch Rope Retainer (Third winch)	●	●	●
	Catwalk (Folding type, Left / Right)	○	○	○
	Catwalk with Handrails (Folding type, Left / Right)	● / ○ ^{*1}	● / ○ ^{*1}	● / ○ ^{*1}
	Electric Fuel Pump	●	●	●
	Handrails (Folding type)	○	○	○
Winch with Front, Rear Free Mechanism	●	●	●	
Third Winch (Rope not included) (with Free mechanism)	●	● ^{*2}	-	
Cab	Air Conditioner	○	○	○
	Sunvisor	○	○	○
	Sunshade	○	○	○
	Wiper with Washer (Front window, Cab roof window)	○	○	○
	Microphone & Loud-Speaker	●	●	●
	AM / FM Radio (with Clock)	○	○	○
	Room Lamp	○	○	○
	Cup Holder	○	○	○
	24 V Power Socket (× 2)	○	○	○
	Floor Carpet	○	○	○
	Level Gauge (in Cab and Lower Structure)	○	○	○
	Accelerator Pedal (Right side)	●	●	●
	Arm Chair Lever	○	○	○
	Cross Operation Lever (Lever lock not attached)	● / ○ ^{*1}	● / ○ ^{*1}	● / ○ ^{*1}
	Front Operation Lever (with Lever lock)	●	●	●
	Standard Seat	○	○	○
	Seat with Suspension	● / ○ ^{*1}	● / ○ ^{*1}	● / ○ ^{*1}
	Travel Operation Pedal (Cannot be installed when free mechanism attached)	●	●	●
	Boom Hoist Operation Pedal ^{*3}	●	●	●
	Swing Brake Operation Pedal ^{*3}	●	●	●
	Fan	●	●	●
	Front/Rear Operation Lever, Brake Pedal Selector	●	●	●
	Fuel Burning Heater	●	●	●
	Accelerator Grip	○	○	○
Drum Rotation Sensor (Front/Rear/Boom Hoist) ^{*4}	○	○	○	
Speed Control Dial (Front/Rear/Boom Hoist/Swing)	○	○	○	
Lifhammer	○	○	○	

*1 Europe specification machines only.

*2 The third winch can only be used in the crane specification. It cannot be used in the tower specification.

*3 Cannot be installed at the same time.

*4 Cannot be equipped when the cross operation lever or front operation lever is installed.

○ : Standard ● : Optional — : No setting

Item		Crane	Crane / Tower	Clamshell	
Attachment	15 m Basic Boom (Boom base: 7.5 m, Top: 7.5 m)	○	○	○	
	3 m Boom Insert	●	●	●	
	6 m Boom Insert	●	●	●	
	9 m Boom Insert	●	●	●	
	Parts set for 10 m crane jib [10 m Basic jib, Anti-two block, Jib mast]	●	●	-	
	6 m Crane Jib Insert	●	●	-	
	51.35 m Tower Boom (Tower/luffing (boom) base: 7.5 m, 3 m × 2, 9 m × 4, Tower/luffing (boom) top: 1.85 m)	-	○	-	
	9 m Boom Insert (For tower, with upper spreader rail)	-	○	-	
	9 m Boom Insert (For tower)	-	○	-	
	45 m Tower Jib (Tower/luffing jib base: 9 m, 3 m, 6 m, 9 m × 2, Tower/luffing jib top: 9 m)	-	○	-	
	Midpoint Pendant Rope (Required when the boom length is 66 m or longer)	●	●	-	
	3 m Tower/Luffing Jib Insert	-	○	-	
	6 m Tower/Luffing Jib Insert	-	○	-	
	9 m Tower/Luffing Jib Insert	-	○	-	
	Parts Set for Auxiliary Sheave [Auxiliary sheave, Auxiliary sheave anti-two block]	●	●	-	
	120 t Hook (5 sheaves)	●	●	-	
	80 t Hook (3 sheaves)	●	●	-	
	35 t Hook (1 sheave)	●	●	-	
	12 t Hook	●	●	-	
Wire Rope	Front Winch (φ 26)	Mono Rope EP 3XF (40)	○	○	-
		P-S (19) + 39XP-7	●	●	-
		IWRC 6 X WS (31)	-	-	○ ^{*5}
	Rear Winch (φ 26)	Mono Rope EP 3XF (40)	●	●	-
		P-S (19) + 39XP-7	●	●	-
		IWRC 6 X P-WS (31)	-	○ ^{*6}	-
		IWRC 6 X WS (31)	-	-	○ ^{*7}
	Third Winch (φ 26)	Mono Rope EP 3XF (40)	●	●	-
P-S (19) + 39XP-7		●	●	-	
Boom Hoist Winch (φ 22.4)	IWRC 6 X P-WS (31)	○	○	○	
Safety Device	Moment Limiter	○	○	○	
	3 Color Percentage Indicator	● / ○ ^{*8}	● / ○ ^{*8}	● / ○ ^{*8}	
	Gate Lock Lever	○	○	○	
	Individual Winch Operation Lever Lock (Front, Rear, Boom Hoist, Travel) ^{*9}	○	○	○	
	Automatic Drum Lock (Boom Hoist)	○	○	○	
	Winch Drum Lock (Front/Rear)	○	○	○	
	Lowering Limiter (Winch Drum Dead Tums Detective Device)	● / ○ ^{*8}	● / ○ ^{*8}	● / ○ ^{*8}	
	Swing Lock	○	○	○	
	Swing Alarm	○	○	○	
	Travel Alarm	○	○	○	
	Auto Slowdown (Slow stop)	○	○	○	
	Boom Hoist Limiting Device	○	○	○	
	Secondary Boom Over Hoist Prevent Device	○	○	○	
	Warning Alarm	○	○	○	
	Engine Start Interlock System	○	○	○	
	Emergency Engine Stop Switch (In cab)	○	○	○	
	Lifting Height Indication Device	○	○	○	
	Swing Neutral Free/Brake Selection Switch	○	○	○	
	Anti-Two Block	○	○	●	
	Tower Strut Overhoist Prevention Device	-	○	-	
	Tower Jib Overhoist Prevention Device	-	○	-	
	Secondary Tower Jib Overhoist Prevention Device	-	○	-	
	Tower Jib Connection Detection Device	-	○	-	
	Tower Jib Position Detection Device	-	○	-	
	Moment Limiter (M/L) Mode Selector (In left house)	● / ○ ^{*8}	● / ○ ^{*8}	○	
	Swing Restriction Unit	●	●	●	
	Anemometer	○	○	-	
	Obstacle Lights (Fixed lights)	●	●	-	
	Crane Boom Top Camera Monitor System	●	●	-	
	TW Jib Top Crane Boom Camera Monitor System (TV monitor)	-	●	-	
Drum and Rear View Monitor System (3 cameras)	●	●	●		
Cab Roof Window Guard	● / ○ ^{*8}	● / ○ ^{*8}	● / ○ ^{*8}		

*5 Opening/closing rope (φ 26 mm × 82 m). The standard length is 21 m for opening/closing and support ropes, and 12 m for excavation ropes.

*6 Required as a tower jib hoisting rope. In the crane jib specification, can also be used as a hoisting rope when using a crane jib or auxiliary sheave.

*7 Support rope (φ 26 mm × 70 m). The standard length is 21 m for opening/closing and support ropes, and 12 m for excavation ropes.

*8 Europe specification machines only.

*9 An operation lever lock is not attached to the front, rear or hoist when the cross operation lever is installed.

○ : Standard ● : Optional — : No setting

Item		Crane	Crane / Tower	Clamshell
Common Parts	Boom Foot Pin Removal / Installation Cylinder	●	●	●
	Boom Back Stop	○	○	○
	Boom Angle Sensor	○	○	○
	Remote Sensing (Mobile Communication Terminal, Data Logging)	○	○	○
	Boom Lifting Piece	○	○	○
	Assembly Pad ^{*10}	●	●	-
	Reduction Counter Weight Specification	● ^{*11}	● ^{*11}	-
	Quick Draw for Side Frame Self Assembly ^{*12}	●	●	●
	Counter Weight with Self Assembly Unit	●	●	●
	Skywalk (With Stanchion)	●	●	-
	Skywalk (Without Stanchion)	●	●	-
	Boom Top Under Surface Buffer (Protector)	●	●	●
	Load Table Sign (Whiteboard, boom base installation)	●	●	●
	Insertable Company Name Plate (Both side surfaces of the machine)	●	●	●
	Opening / Closing / Support Rope Stopper	-	-	○
	Hyd. Tagline (6 × Fi (29) φ 10 mm × 55 m)	● ^{*13}	● ^{*13}	○
	Reeving Winch (4 × F (30) φ 8 mm × 250 m)	● ^{*13}	● ^{*13}	-
	Reeving Winch Cum Hydraulic tagline	For hydraulic tagline (6 × Fi (29) φ 10 mm × 55 m) ● ^{*13}	For reeving (6 × Fi (29) φ 10 mm × 220 m) ● ^{*13}	-
	Sling Ropes for Disassembly and Assembly (For counter weights, Crawlers)	●	●	●
	Air Cleaner Double Element	○	○	○
Additional Spare Parts (Hydraulic oil filter)	●	●	●	
Additional Tools (Large hammer, Crowbar, Chisel)	●	●	●	
Other	Standard Supplied Tools	○	○	○
	Standard Spare Parts	○	○	○

*10 The assembly pad is required for the following attachments.

- Crane Boom Longest Length 75m
 - Crane Boom Length 72m + Aux. Sheave
 - Crane Boom Length 63m + Crane Jib Over 16 m
- Reduction Counter Weight Specification
- Crane Boom Length Over 69 m
 - Crane Boom Length Over 57 m + Aux. Sheave

It is not required for the tower attachment.

*11 The reduction counter weight specification can only be used for the crane specification, with the exception of the crane jib.

*12 When using the reeving winch or hydraulic tagline, remove the side frame self assembly quick draw.

- *13 (1) Hydraulic tagline (maximum line pull: 2.9 kN (300 kg))
 (2) Reeving winch unit (maximum line pull: 11.8 ZkN (1,200 kg))
 (3) Reeving winch and hydraulic tagline (maximum line pull: 2.9 kN (300 kg))

- We are constantly improving our products and therefore reserve the right to change designs and specifications without notice.
- Units in this specification are shown under International System of Units; the figures in parenthesis are under Gravitational System of Units as old one.

Sumitomo Heavy Industries Construction Cranes Co., Ltd.

9-3, Higashi-Ueno 6-chome, Taito-ku, Tokyo 110-0015, Japan
Phone: 81-3-3845-1387 Facsimile: 81-3-3845-1394

<http://www.hsc-cranes.com>