

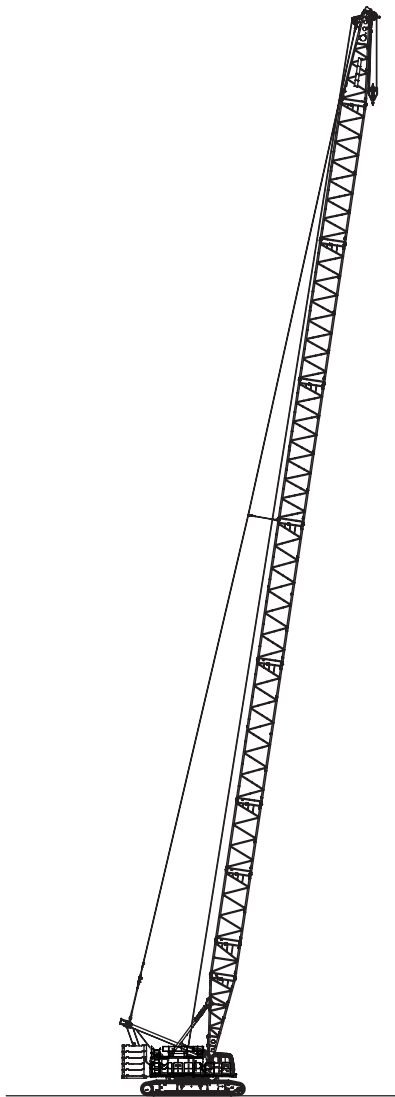
SCX 2800A-3

HYDRAULIC CRAWLER CRANE

Variation of The Attachment

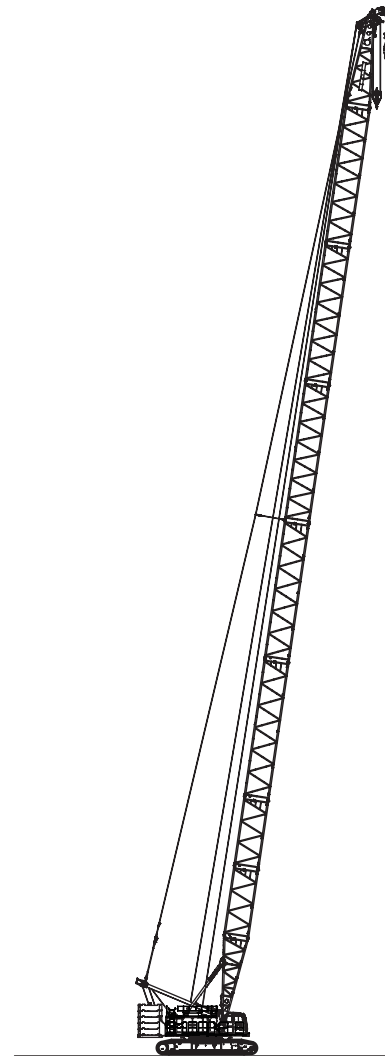
Line Speed *	Front / Rear		110
	Boom Hoist	m/min	30 × 2
	Tower Jib Hoist (Optional)		55
Swing Speed		min ⁻¹ (rpm)	1.5
Travel Speed High / Low		km/h	1.0 / 0.5
Gradeability		% (Degree)	30 (17)
Engine Model			CUMMINS QSL9 (Stage III A / Tier 3)
Engine Rated Output Power		kW/min ⁻¹ (ps/rpm)	280 / 2000 (375 / 2000)

NOTE : Speeds marked with "*" may vary depending on load applied.



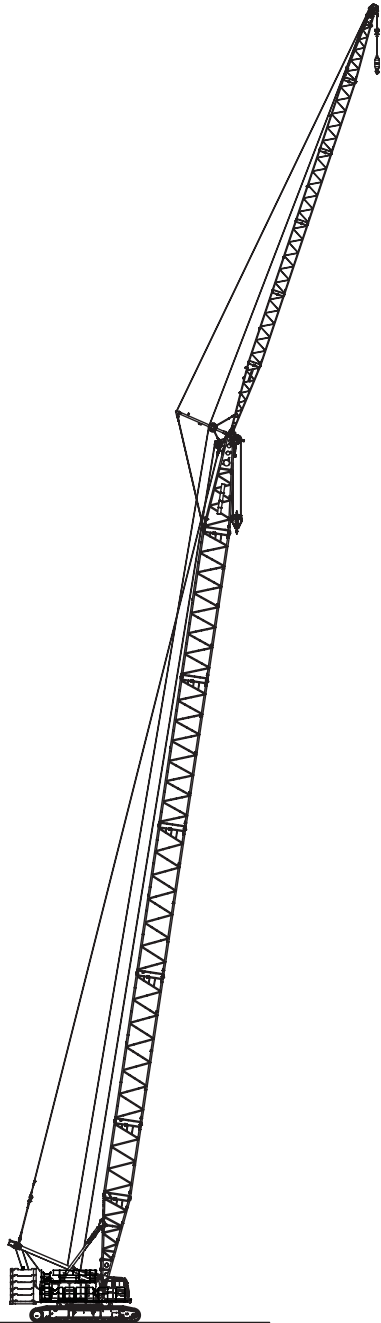
**Crane Specification
Boom Longest Length**

Boom Length	m	15.25 to 91.45
Ground Contact Pressure (Standard Shoe)	kPa (kgf/cm ²)	137 (1.39)
Ground Contact Pressure (Wide Shoe (Optional))	kPa (kgf/cm ²)	122 (1.25)
Overall Operating Weight (Standard Shoe)	t	245
Overall Operating Weight (Wide Shoe (Optional))	t	247



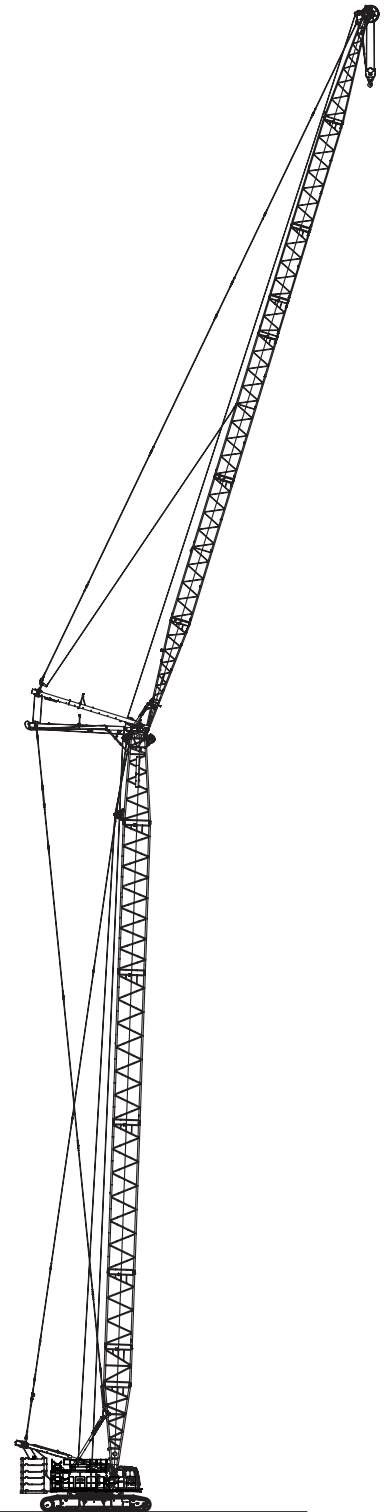
**Crane Specification
Boom Longest Length with Aux. Sheave**

Boom Length	m	15.25 to 88.40
Ground Contact Pressure (Standard Shoe)	kPa (kgf/cm ²)	136 (1.39)
Ground Contact Pressure (Wide Shoe (Optional))	kPa (kgf/cm ²)	122 (1.24)
Overall Operating Weight (Standard Shoe)	t	245
Overall Operating Weight (Wide Shoe (Optional))	t	246



**Crane Specification
Boom with Crane Jib Longest Length**

Boom Length	m	45.70 to 70.10
Crane Jib Length	m	12.20 to 36.55
Boom + Crane Jib Longest Length	m	70.10 + 36.55
Ground Contact Pressure (Standard Shoe)	kPa (kgf/cm ²)	136 (1.39)
Ground Contact Pressure (Wide Shoe (Optional))	kPa (kgf/cm ²)	122 (1.24)
Overall Operating Weight (Standard Shoe)	t	244
Overall Operating Weight (Wide Shoe (Optional))	t	246



**Tower Specification
Tower Boom with Tower Jib Longest Length**

Tower Boom Length	m	21.35 to 60.95
Tower Jib Length	m	21.35 to 60.95
Tower Boom + Tower Jib Longest Length	m	60.95 + 60.95
Ground Contact Pressure (Standard Shoe)	kPa (kgf/cm ²)	141.8 (1.45)
Ground Contact Pressure (Wide Shoe (Optional))	kPa (kgf/cm ²)	126.7 (1.29)
Overall Operating Weight (Standard Shoe)	t	255
Overall Operating Weight (Wide Shoe (Optional))	t	256

VARIATION

Variation of The Attachment	2
------------------------------------	----------

SPECIFICATIONS

Specifications	6
-----------------------	----------

Crane Specifications	7
-----------------------------	----------

Dimensions and Specifications	7
--	----------

Boom Standard Configurations	8
---	----------

Combination of Boom and Crane Jib (Offset Angle 10° and 30°)	9
---	----------

Working Ranges	10
-----------------------------	-----------

Gross Rated Load Table	11
-------------------------------------	-----------

■ Main Boom	11
-------------------	----

■ Aux. Sheave	13
---------------------	----

■ Main Boom with Aux. Sheave	15
------------------------------------	----

■ Crane Jib	17
-------------------	----

■ Main Boom with Crane Jib	24
----------------------------------	----

Tower Specifications	29
-----------------------------	-----------

Dimensions and Specifications	29
--	-----------

Tower Standard Configurations	30
--	-----------

Working Ranges	32
-----------------------------	-----------

■ Tower Boom	32
--------------------	----

■ Tower Head Hoisting	33
-----------------------------	----

Gross Rated Load Table	34
-------------------------------------	-----------

■ Tower 21.35 m	34
-----------------------	----

■ Tower 24.40 m	37
-----------------------	----

■ Tower 27.45 m	40
-----------------------	----

■ Tower 30.50 m	43
-----------------------	----

■ Tower 33.50 m	46
-----------------------	----

■ Tower 36.55 m	49
-----------------------	----

■ Tower 39.60 m	52
-----------------------	----

■ Tower 42.65 m	55
-----------------------	----

■ Tower 45.70 m	58
-----------------------	----

■ Tower 48.75 m	61
-----------------------	----

■ Tower 51.80 m	64
-----------------------	----

■ Tower 54.85 m	67
-----------------------	----

■ Tower 57.90 m	71
-----------------------	----

■ Tower 60.95 m	74
-----------------------	----

■ Tower 21.35 m Tower Head Hoisting	77
■ Tower 24.40 m to 27.45 m Tower Head Hoisting	78
■ Tower 30.50 m to 33.50 m Tower Head Hoisting	79
■ Tower 36.55 m to 39.60 m Tower Head Hoisting	80
■ Tower 42.65 m to 45.70 m Tower Head Hoisting	81
■ Tower 48.75 m to 51.80 m Tower Head Hoisting	82
■ Tower 54.85 m to 57.90 m Tower Head Hoisting	83
■ Tower 60.95 m Tower Head Hoisting	84

TECHNICAL DATA

Weights and Dimensions of Disassembled Units	85
Weights and Dimensions List	85
Equipment List	91
Standard and Optional Equipment	91

Specifications

Engine

Model	CUMMINS QSL9
Type	4-cycle, water-cooled, Direct-injection, Turbo-charger Diesel engine
Displacement	8.9 Liters
Rated Output	280 kW / 2,000 min ⁻¹ (375 PS / 2,000 rpm)
Fuel Tank Capacity	508 Liters
Notes	Engine meets Tier 3 / Stage III A of engine exhaust gas emission regulations. Engine rated horsepower is based on international rating formula that includes engine alternator and without fan.

Control

Control System	Main actuators are controlled by hydraulic pilot system. Working speeds can be precisely controlled by lever stroke and volume dial. Safety devices are securely operated by combined various electronic controls with hydraulic system.
Control Levers	Designed and layout on ergonomics. Arm chair lever type is standard.
Display Panel Design	8 inches size. Located to check working state easily without disturbing the view of the operator.

Hydraulic System

Hydraulic Tank	320 Liters		
Hydraulic Pump Capacity	Maximum pressure	31.4 MPa	
	P1	280 l / min	Front / Rear winch, Boom hoist winch, Travel (R)
	P2	280 l / min	Front / Rear winch, Jib hoist winch or Quick draw, Travel (L)
	P3	160 l / min	Swing, Lower, Mast flip, Counter weight removal
	P4	44 l / min	Fan drive (Oil cooler)
	P5	59 l / min	Boom foot cylinder, Cab tilt
	P6	40 l / min	Pilot
	P7	31 l / min	Reeving winch

Winch

Front / Rear Winch			
Winch		Front	Rear
Rope Diameter		28 mm	28 mm
Rope Length	Standard	450 m	350 m
	Winding Capacity	510	510
Line Pull	Rated	132 kN	132 kN

Notes

High speed lifting and lowering is possible by ECO mode with low engine speed under light load.

Hydraulic motor with wet multiple disc brake and planetary reduction gears inside of winch drum.

Boom Hoist / Jib Hoist Boom (Optional) Winch			
Winch		Boom Hoist	Jib Hoist Boom (Optional)
Rope Diameter		22.4 mm	28 mm
Rope Length	Incorporated	320 m	210 m
Notes			
Hydraulic motor with wet multiple disc brake and planetary reduction gears			

Swing Device

2 sets of hydraulic motor with wet multiple disc brake + one-stage planetary reduction gear + one-stage spur gear and turn table bearing with external teeth. Precise swing operation is possible by swing brake with pedal (Optional).

Mast

Easy assembly for front attachments. Crawler sideframe, Lower weight, Boom base self assembly is possible by quick draw (Optional). By using quick draw system, assembly work can be done by helper crane to install 15.5 ton base counter weight.

Counter Weight

Counter Weight	Total Weight	100.2 t
	Base Weight	15.3 t × 1 piece
	Counter Weight (Right)	8.38 t × 5 pieces
	Counter Weight (Left)	8.58 t × 5 pieces
	Other Parts such as Links	0.1 t × 1 piece
Lower Weight	Total Weight	24.1 t
	Lower Weight	12 t × 2 pieces

Carbody

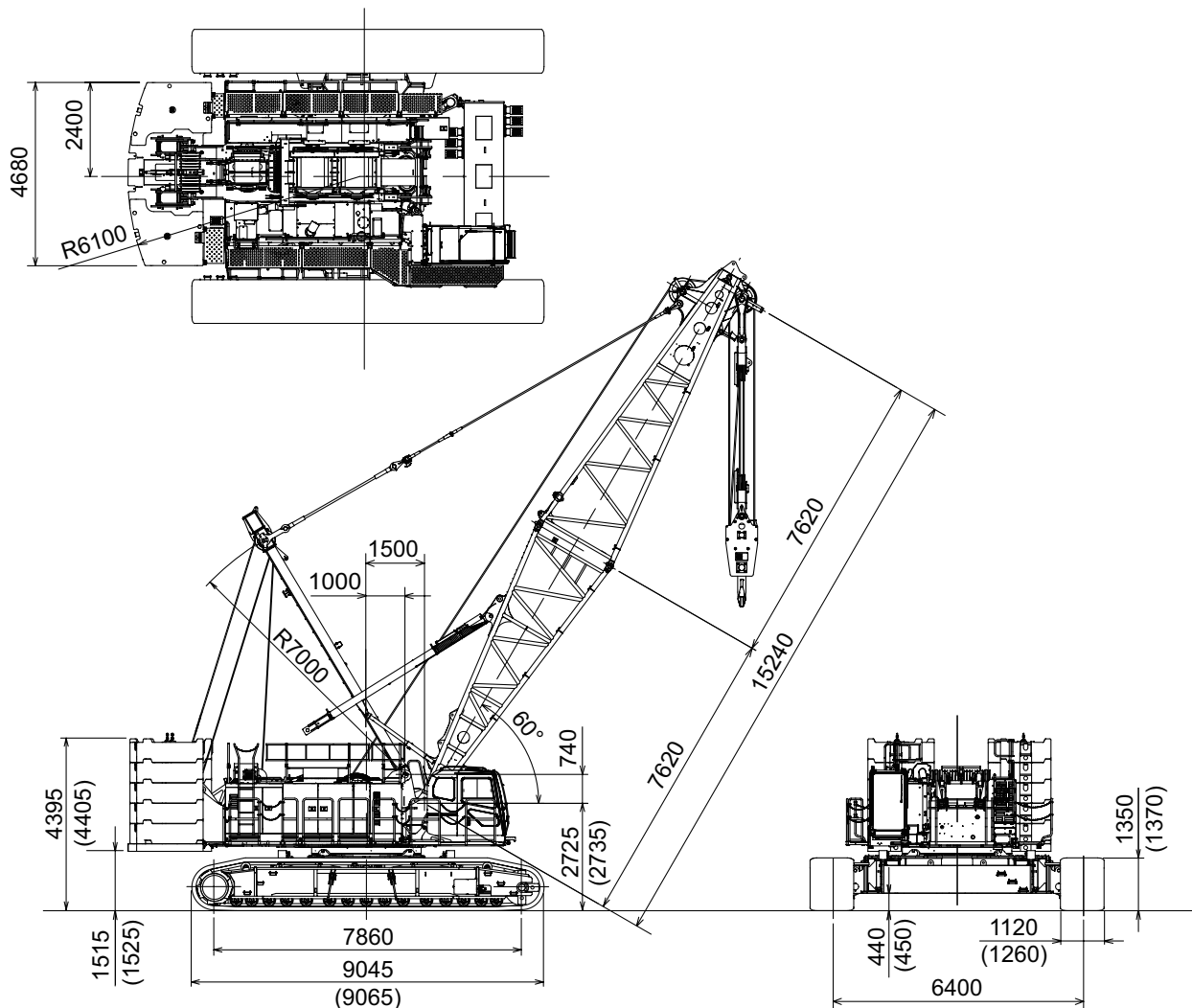
High tensile steel box structure
Jack up device
Pin connection with crawler sideframe by hook on system

Crawler Sideframe

Frame	High tensile steel box structure With travel device and pin connection and connection cylinders		
Shoe (Standard)	1120 mm flat shoe		
Wide Shoe (Optional)	1260 mm flat shoe		
Upper Roller	4 pieces for each side		
	Double flange type 2, Single flange type 2		
Lower Roller	15 pieces for each side		
	Double flange type with plane bearing and floating seal for lifetime lubrication		
	Forging and heat treated steel		
Travel Device	1 unit for each side		
	Hydraulic motor with wet multiple disc brake + Planetary reduction gears		
	Travel speed	High: 1.0 km/h	
		Low: 0.5 km/h	
Gradability	30 %		

Crane Specifications

Dimensions and Specifications



NOTE : () is the dimension of the wide shoe (optional).

Crane Specifications		
Max. Lifting Load × Working Radius	t × m	275 × 4.3
Basic Boom Length	m	15.25
Max. Boom Length	m	91.45
Crane Jib Length	m	12.20 to 36.55
Boom + Crane Jib Longest Length	m	70.10 + 36.55
Ground Contact Pressure (Standard Shoe)	kPa (kgf/cm ²)	129 (1.31)
Ground Contact Pressure (Wide Shoe (Optional))	kPa (kgf/cm ²)	115 (1.17)
Overall Operating Weight (Standard Shoe)	t	231 (15 m Boom with 275 t Hook)
Overall Operating Weight (Wide Shoe (Optional))	t	233 (15 m Boom with 275 t Hook)

Hook Mass	
275 t	4,280 kg
250 t	3,710 kg
145 t	3,310 / 2,740 / 2,350 kg
80 t	2,000 kg
35 t	1,400 kg
27 t	900 kg
13.5 t	620 kg

NOTE : Data is expressed in SI units followed by conventional units in ().

Number of Front / Rear Winch Rope and Lifting Load																					
Hook Capacity	Maximum Rated Load (ton)																				
	21 falls	20 falls	19 falls	18 falls	17 falls	16 falls	15 falls	14 falls	13 falls	12 falls	11 falls	10 falls	9 falls	8 falls	7 falls	6 falls	5 falls	4 falls	3 falls	2 falls	1 fall
275 t	275.0	270.0	256.5	243.0	229.5	216.0	202.5	189.0	175.5	162.0	148.5	—	—	—	—	—	—	—	—	—	—
250 t	—	—	250.0	243.0	229.5	216.0	202.5	189.0	175.5	162.0	148.5	—	—	—	—	—	—	—	—	—	—
145 t	—	—	—	—	—	—	—	—	—	—	—	145.0	121.5	108.0	94.5	81.0	67.5	54.0	40.5	27.0	—
80 t	—	—	—	—	—	—	—	—	—	—	—	—	—	—	—	80.0	67.5	54.0	40.5	27.0	—
35 t	—	—	—	—	—	—	—	—	—	—	—	—	—	—	—	—	—	—	35.0	27.0	—
27 t	—	—	—	—	—	—	—	—	—	—	—	—	—	—	—	—	—	—	—	27.0	—
13.5 t	—	—	—	—	—	—	—	—	—	—	—	—	—	—	—	—	—	—	—	—	13.5

Boom Standard Configurations

Boom (1/2)	
Boom Length (m)	Boom Configurations
15.25	
18.30	
21.35	
24.40	
27.45	
30.50	
33.50	
36.55	
39.60	
42.65	
45.70	
48.75	
51.80	

Boom (2/2)	
Boom Length (m)	Boom Configurations
54.85	
57.90	
60.95	
64.00	
67.05	
70.10	
73.15	
76.20	
79.25	
82.30	
85.35	
88.40	
91.45	

● Mark indicates the pendant rope connection position (boom side) when the crane jib is installed.
MP indicates the midpoint pendant rope connection position.

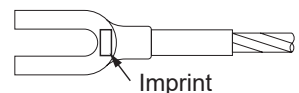
Aux. Sheave Installable Boom Length																			
Boom Length (m)	15.25	18.30	21.35	24.40	27.45	30.50	33.50	36.55	39.60	42.65	45.70	48.75	51.80	54.85	57.90	60.95	64.00	67.05	
With Aux. Sheave	×	○	○	○	○	○	○	○	○	○	○	○	○	○	○	○	○	○	○
Boom Length (m)	70.10	73.15	76.20	79.25	82.30	85.35	88.40	91.45											
With Aux. Sheave	○	○	○	○	○	○	○	×											

(○ : Attachable × : Not Attachable)

Dimensions Not Shown In The Figure		
Symbols	Jib Length (m)	Note
B	7.62	Boom Base
T	7.62	Boom Top
3H	3.05	Heavy Boom Insert
6H	6.10	Heavy Boom Insert
12H	12.20	Heavy Boom Insert
12	12.20	Boom Insert

Determine the jib pendant rope from the rope caulk mark.

Jib Pendant Rope			
Symbols	Length (m)	Rope Diameter (mm)	Imprint
1	1.24	35.5	□ · △ · 35.5 · 1.24
3	3.05	35.5	□ · △ · 35.5 · 3.05
6	6.10	35.5	□ · △ · 35.5 · 6.10
6.4	6.38	35.5	□ · △ · 35.5 · 6.38
12	12.20	35.5	□ · △ · 35.5 · 12.20



Combination of Boom and Crane Jib (Offset Angle 10° and 30°)

Combination of Boom and Crane Jib		12.20		18.30		24.40		30.50		36.55	
Crane Jib Length (m)		Offset angle 10°	Offset angle 30°	Offset angle 10°	Offset angle 30°	Offset angle 10°	Offset angle 30°	Offset angle 10°	Offset angle 30°	Offset angle 10°	Offset angle 30°
Boom Length (m)	15.25 to 42.65	×	×	×	×	×	×	×	×	×	×
	45.70	○	○	○	○	○	○	○	○	○	○
	48.75	○	○	○	○	○	○	○	○	○	○
	51.80	○	○	○	○	○	○	○	○	○	○
	54.85	○	○	○	○	○	○	○	○	○	○
	57.90	○	○	○	○	○	○	○	○	○	○
	60.95	○	○	○	○	○	○	○	○	○	○
	64.00	○	○	○	○	○	○	○	○	○	○
	67.05	○	○	○	○	○	○	○	○	○	○
	70.10	○	○	○	○	○	○	○	○	○	○
73.15 to 91.45	×	×	×	×	×	×	×	×	×	×	

(○ : Attachable × : Not Attachable)

Crane Jib (Offset Angle 10° and 30°) (1/2)

Crane Jib Length (m)	Offset Angle	Crane Jib Configurations
12.20	10°	
	30°	
18.30	10°	
	30°	
24.40	10°	
	30°	

Crane Jib (Offset Angle 10° and 30°) (2/2)

Crane Jib Length (m)	Offset Angle	Crane Jib Configurations
30.50	10°	
	30°	
36.55	10°	
	30°	

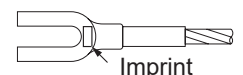
Dimensions Not Shown In The Figure

Symbols	Jib Length (m)	Note
6	6	Jib top, jib base, jib insert

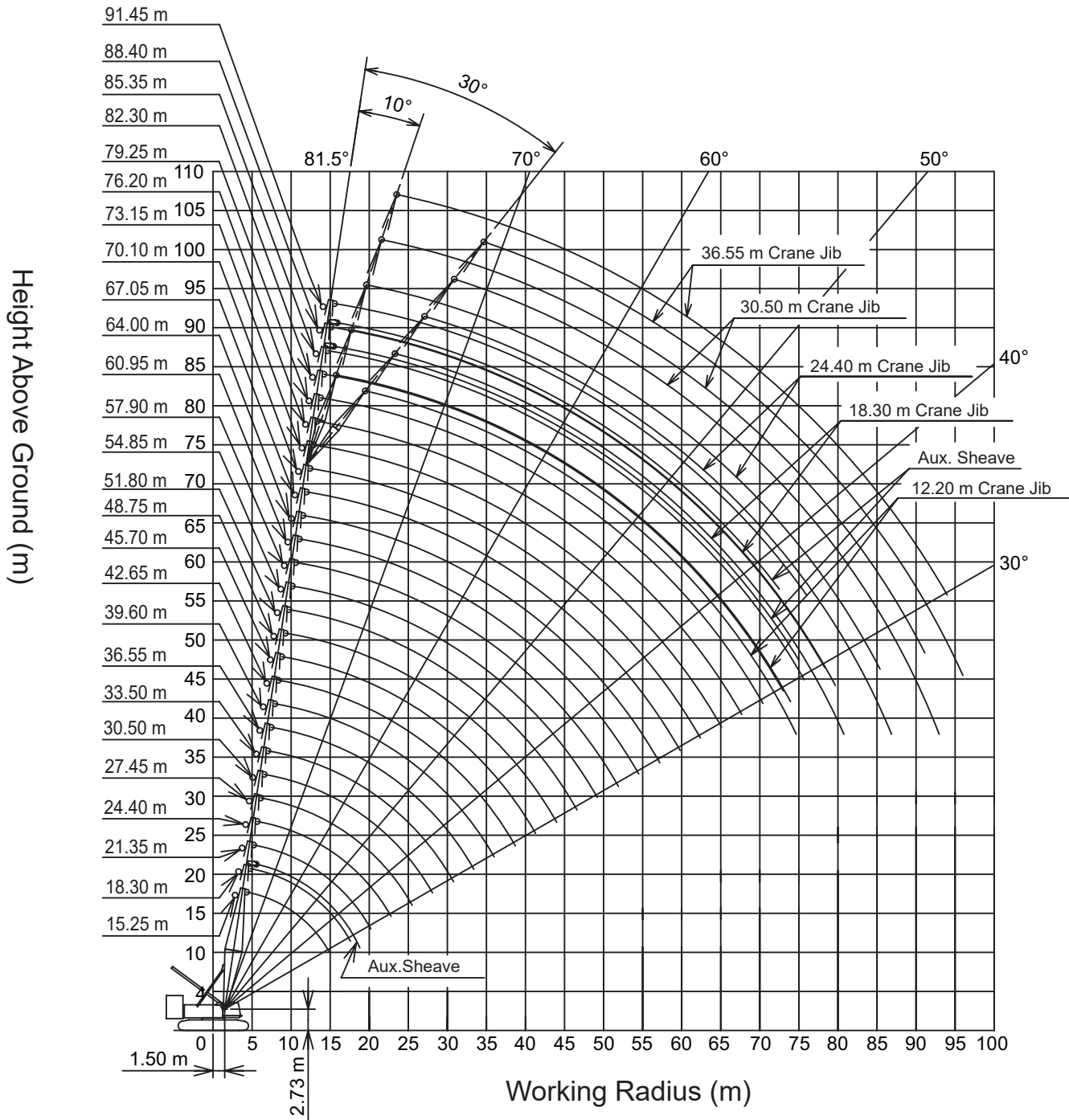
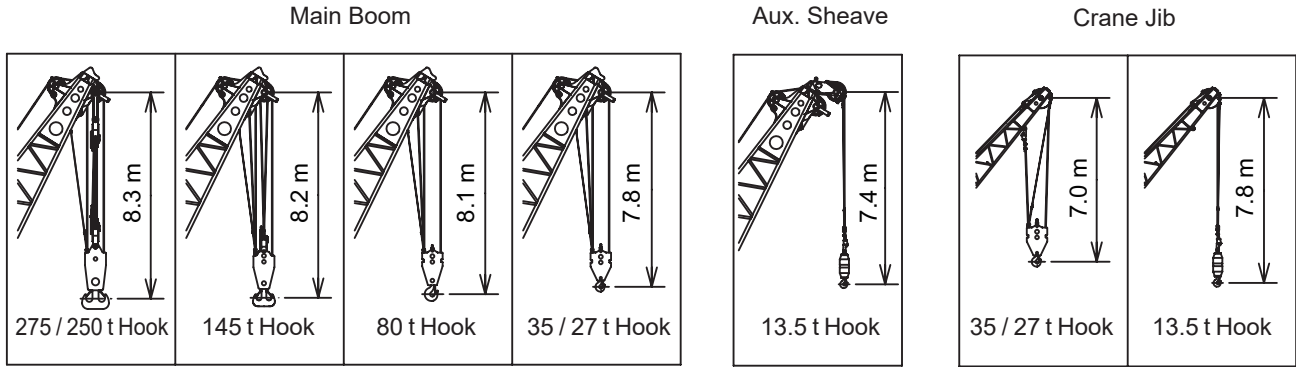
NOTE : Determine the jib pendant rope from the rope caulk mark.

Jib Pendant Rope

Symbols	Length (m)	Rope Diameter (mm)	Imprint
1.30	1.30	32.0	□ · △ · 32 · 1.30
5.85	5.85	32.0	□ · △ · 32 · 5.85
9.14	9.14	35.5	□ · △ · 35.5 · 9.144



Working Ranges



Gross Rated Load Table

■ Main Boom



Unit: ton

Working Radius(m)	Boom Length (m)												Working Radius(m)		
	15.25	18.30	21.35	24.40	27.45	30.50	33.50	36.55	39.60	42.65	45.70	48.75		51.80	
4.3	275.0	4.8m x 243.0t													4.3
4.5	269.4	243.0t	5.2m x 216.0t												4.5
5	244.3	242.4	216.0t	5.7m x 215.2t											5
5.5	223.5	223.3	215.1	215.2t	6.1m x 189.0t	6.6m x 162.0t									5.5
6	205.8	205.6	205.3	204.9	176.6	176.3	162.0								6
7	177.6	177.3	177.0	176.6	176.6	176.3	162.0	148.5			7.5m x 135.0t				7
8	155.9	155.7	155.4	155.1	154.8	154.6	147.8	134.8	120.8	121.5t	108.0t				8
9	138.8	138.6	138.3	138.0	137.6	136.8	132.8	130.5	119.8	121.5	108.0	9.3m x 94.5t	9.8m x 93.2t		9
10	125.0	124.8	124.5	124.1	123.9	121.0	117.6	116.0	113.0	110.0	107.4	94.5	93.0		10
12	102.0	102.2	102.1	102.0	100.1	97.8	95.4	94.6	92.5	90.3	88.4	86.5	84.5		12
14	81.9	82.0	81.9	81.7	81.5	81.5	79.9	79.6	77.9	76.1	74.7	73.2	71.6		14
16	14.9m x 75.1t	68.0	67.9	67.8	67.6	67.5	67.3	68.4	67.0	65.6	64.5	63.2	61.9		16
18		17.6m x 59.8t	57.7	57.6	57.4	57.3	57.0	58.2	58.0	57.4	56.5	55.4	54.2		18
20			50.0	49.9	49.7	49.5	49.3	50.4	50.2	49.9	49.7	49.1	48.1		20
22			20.2m x 49.5t	43.9	43.6	43.5	43.2	44.2	44.0	43.7	43.6	43.4	43.0		22
24				22.8m x 41.8t	38.7	38.5	38.2	39.3	39.0	38.7	38.7	38.4	38.1		24
26					25.5m x 35.7t	34.5	34.2	35.2	35.0	34.7	34.5	34.3	34.0		26
28						31.2	30.8	31.8	31.6	31.2	31.2	30.9	30.6		28
30						28.1m x 31.0t	28.0	29.0	28.7	28.3	28.2	28.0	27.7		30
32							30.8m x 27.0t	26.5	26.2	25.8	25.7	25.5	25.2		32
34								33.4m x 25.0t	24.1	23.7	23.6	23.3	23.0		34
36									22.2	21.8	21.7	21.4	21.1		36
38										20.2	20.0	19.7	19.3		38
40										38.7m x 19.7t	18.6	18.2	17.8		40
42											41.3m x 17.7t	16.9	16.6		42
44												15.8	15.3		44
46													14.3		46
48													46.6m x 14.1t		48
50														14.1t	50

- The rated loads are determined according to EN13000 rating on the condition that the machine is stationed on firm, level ground.
- The figures surrounded by bold lines are based on factors other than those which would cause a tipping condition.
- Be sure to attach the 275 / 250 t hook upper spreader to the top boom when boom length is 15.25 m or 18.30 m.
- Be sure to remove the 275 / 250 t hook upper spreader from the top boom when boom length is 36.55 m or more.
- To calculate the maximum load that can actually be lifted, deduct weight of all lifting accessories, such as boom hook and jib hook, from figures shown above.
- Working radius is the horizontal distance from the slewing center to the center of gravity of a lifted load.
- The counter weight is 124.3 ton. (Superstructure 100.2 ton + lower weight 24.1 ton)
- Figures described as OOm x OOt in the tables indicate "working radius" m x "rated load" ton.
- Be sure to fully extend the side frames before operating the machine.
- Correlation between the number of reeved lines, maximum rated loads, hook weights are shown in the table below.

Hook Capacity (t)	Hook Weight (t)	Maximum Rated Loads (t)										
		21 falls	20 falls	19 falls	18 falls	17 falls	16 falls	15 falls	14 falls	13 falls	12 falls	11 falls
275	4.3	275.0	270.0	256.5	243.0	229.5	216.0	202.5	189.0	175.5	162.0	148.5
250	3.7	-	-	250.0	243.0	229.5	216.0	202.5	189.0	175.5	162.0	148.5
145	3.3 / 2.7 / 2.35	-	-	-	-	-	-	-	-	-	-	-
80	2.0	-	-	-	-	-	-	-	-	-	-	-
35	1.4	-	-	-	-	-	-	-	-	-	-	-
27	0.9	-	-	-	-	-	-	-	-	-	-	-
13.5	0.6	-	-	-	-	-	-	-	-	-	-	-

Hook Capacity (t)	Hook Weight (t)	Maximum Rated Loads (t)									
		10 falls	9 falls	8 falls	7 falls	6 falls	5 falls	4 falls	3 falls	2 falls	1 fall
275	4.3	-	-	-	-	-	-	-	-	-	-
250	3.7	-	-	-	-	-	-	-	-	-	-
145	3.3 / 2.7 / 2.35	145.0	121.5	108.0	94.5	81.0	67.5	54.0	40.5	27.0	-
80	2.0	-	-	-	-	80.0	67.5	54.0	40.5	27.0	-
35	1.4	-	-	-	-	-	-	-	35.0	27.0	-
27	0.9	-	-	-	-	-	-	-	-	27.0	-
13.5	0.6	-	-	-	-	-	-	-	-	-	13.5

■ Main Boom



Working Radius(m)	Boom Length (m)													Unit: ton
	54.85	57.90	60.95	64.00	67.05	70.10	73.15	76.20	79.25	82.30	85.35	88.40	91.45	Working Radius(m)
9	10.2m x	10.7m x	11.1m x	11.6m x										9
10	81.0t	78.3t	67.5t	65.6t		12.5m x	12.9m x	13.4m x	13.8m x					10
12	81.0	77.5	67.5	65.4	60.5	54.0t	50.3t	46.5t	42.7t	14.3m x	14.7m x	15.2m x	15.6m x	12
14	70.3	68.9	67.5	64.5	59.7	54.0	50.0	46.2	42.5	38.3t	34.2t	27.0t	27.0t	14
16	60.7	59.7	58.6	57.4	56.2	53.1	49.2	45.6	42.0	37.2	33.4	27.0	26.8	16
18	53.2	52.4	51.5	50.4	49.3	48.7	47.7	44.5	40.9	35.9	32.3	27.0	25.8	18
20	47.2	46.5	45.7	44.7	43.7	43.2	42.3	41.4	39.2	34.4	30.9	27.0	24.8	20
22	42.2	41.5	40.9	40.0	39.1	38.7	37.9	37.0	36.2	32.7	29.6	26.4	23.6	22
24	37.9	37.5	36.9	36.0	35.2	34.9	34.0	33.3	32.5	31.0	28.2	25.2	22.5	24
26	33.8	33.7	33.4	32.7	31.9	31.6	30.8	30.2	29.4	29.2	27.1	24.1	21.5	26
28	30.3	30.2	30.0	29.7	29.0	28.7	28.0	27.3	26.7	26.5	25.6	23.0	20.5	28
30	27.4	27.2	27.1	26.7	26.4	26.2	25.6	25.0	24.2	24.2	23.5	22.1	19.5	30
32	24.9	24.7	24.6	24.2	23.8	23.9	23.4	22.8	22.2	22.1	21.5	20.7	18.6	32
34	22.7	22.6	22.3	22.1	21.7	21.7	21.3	20.9	20.2	20.2	19.6	19.0	17.8	34
36	20.8	20.7	20.5	20.1	19.7	19.7	19.4	19.1	18.6	18.6	18.0	17.3	16.7	36
38	19.1	19.0	18.7	18.4	18.1	18.1	17.7	17.3	17.0	17.1	16.5	15.8	15.3	38
40	17.6	17.5	17.2	16.9	16.5	16.6	16.2	15.8	15.5	15.6	15.1	14.5	14.0	40
42	16.2	16.1	15.8	15.6	15.1	15.1	14.8	14.5	14.1	14.2	13.8	13.3	12.8	42
44	15.1	14.9	14.6	14.3	14.0	14.0	13.6	13.3	12.8	13.0	12.6	12.1	11.6	44
46	14.0	13.8	13.6	13.2	12.8	12.8	12.5	12.1	11.8	11.8	11.5	11.1	10.6	46
48	13.0	12.8	12.6	12.2	11.8	11.8	11.5	11.1	10.8	10.8	10.5	10.1	9.7	48
50	49.2m x	12.0	11.6	11.3	10.9	10.9	10.5	10.2	9.8	9.9	9.6	9.1	8.8	50
52	12.5t	51.9m x	10.8	10.5	10.1	10.1	9.6	9.3	9.0	9.1	8.7	8.3	8.0	52
54		11.2t	10.1	9.7	9.3	9.3	8.9	8.6	8.2	8.3	8.0	7.5	7.2	54
56			54.5m x	9.0	8.6	8.6	8.2	7.9	7.5	7.5	7.2	6.8	6.5	56
58			9.9t	57.2m x	8.0	7.9	7.5	7.2	6.8	6.9	6.5	6.1	5.8	58
60				8.6t	59.8m x	7.3	6.9	6.6	6.2	6.3	5.9	5.5	5.1	60
62					7.4t	6.8	6.4	6.0	5.6	5.7	5.4	4.9	4.6	62
64						62.4m x	5.8	5.5	5.1	5.1	4.8	4.4	4.0	64
66						6.7t	65.1m x	5.0	4.6	4.6	4.3	3.9	3.5	66
68							5.6t	67.7m x	4.1	4.2	3.9	3.4	3.0	68
70								4.7t	3.7	3.7	3.4	3.0	2.5	70
72									70.4m x	3.4	3.0	2.5	2.0	72
74									3.7t	73.0m x	2.6	2.2	1.6	74
76										3.2t	75.6m x	1.8	1.2	76
78											2.3t	1.5		78
78.3												1.5		78.3

* For notes about the table above, refer to page 11.

■ Aux. Sheave



Working Radius (m)	Boom Length (m)												Unit: ton
	18.30	21.35	24.40	27.45	30.50	33.50	36.55	39.60	42.65	45.70	48.75	51.80	Working Radius (m)
5.6	13.5	6.1m x	6.5m x										5.6
6	13.5	13.5t	13.5t		7.4m x	7.9m x							6
7	13.5	13.5	13.5	13.5	13.5t	13.5t	8.3m x	8.8m x					7
8	13.5	13.5	13.5	13.5	13.5	13.5	13.5t	13.5t	9.2m x	9.7m x			8
9	13.5	13.5	13.5	13.5	13.5	13.5	13.5	13.5	13.5t	13.5t	10.1m x	10.6m x	9
10	13.5	13.5	13.5	13.5	13.5	13.5	13.5	13.5	13.5	13.5	13.5t	13.5t	10
12	13.5	13.5	13.5	13.5	13.5	13.5	13.5	13.5	13.5	13.5	13.5	13.5	12
14	13.5	13.5	13.5	13.5	13.5	13.5	13.5	13.5	13.5	13.5	13.5	13.5	14
16	13.5	13.5	13.5	13.5	13.5	13.5	13.5	13.5	13.5	13.5	13.5	13.5	16
18	13.5	13.5	13.5	13.5	13.5	13.5	13.5	13.5	13.5	13.5	13.5	13.5	18
20	18.8m x	13.5	13.5	13.5	13.5	13.5	13.5	13.5	13.5	13.5	13.5	13.5	20
22	13.5t	21.5m x	13.5	13.5	13.5	13.5	13.5	13.5	13.5	13.5	13.5	13.5	22
24		13.5t	13.5	13.5	13.5	13.5	13.5	13.5	13.5	13.5	13.5	13.5	24
26			24.1m x	13.5	13.5	13.5	13.5	13.5	13.5	13.5	13.5	13.5	26
28			13.5t	26.8m x	13.5	13.5	13.5	13.5	13.5	13.5	13.5	13.5	28
30				13.5t	29.4m x	13.5	13.5	13.5	13.5	13.5	13.5	13.5	30
32					13.5t	13.5	13.5	13.5	13.5	13.5	13.5	13.5	32
34							13.5	13.5	13.5	13.5	13.5	13.5	34
36							34.7m x	13.5	13.5	13.5	13.5	13.5	36
38							13.5t	37.3m x	13.5	13.5	13.5	13.5	38
40								13.5t	13.5	13.5	13.5	13.5	40
42										13.5	13.5	13.5	42
44										42.6m x	13.5	13.5	44
46										13.5t	45.2m x	13.5	46
48											13.5t	47.9m x	48
50												13.1t	50

1. The rated loads are determined according to EN13000 rating on the condition that the machine is stationed on firm, level ground.
2. The figures surrounded by bold lines are based on factors other than those which would cause a tipping condition.
3. Be sure to attach the 275 / 250 t hook upper spreader to the top boom when boom length is 18.30 m.
4. Be sure to remove the 275 / 250 t hook upper spreader from the top boom when boom length is 36.55 m or more.
5. To calculate the maximum load that can actually be lifted, deduct weight of all lifting accessories, such as boom hook and jib hook, from figures shown above.
However, work cannot be undertaken where the range falls below 0.9 ton after the weight is deducted.
6. Working radius is the horizontal distance from the slewing center to the center of gravity of a lifted load.
7. The counter weight is 124.3 ton. (Superstructure 100.2 ton + lower weight 24.1 ton)
8. Figures described as OOm x OOt in the tables indicate "working radius" m x "rated load" ton.
9. Be sure to fully extend the crawler before operating the machine.
10. Hook mass are shown in the table below.

Hook Capacity (t)	Hook Weight (t)
275	4.3
250	3.7
145	3.3 / 2.7 / 2.35
80	2.0
35	1.4
27	0.9
13.5	0.6

■ Aux. Sheave



Working Radius (m)	Boom Length (m)												Working Radius (m)	
	54.85	57.90	60.95	64.00	67.05	70.10	73.15	76.20	79.25	82.30	85.35	88.40		
9	11.0m x	11.5m x	11.9m x											9
10	13.5t	13.5t	13.5t	12.4m x	12.8m x	13.3m x	13.7m x							10
12	13.5	13.5	13.5	13.5t	13.5t	13.5t	13.5t	14.2m x	14.6m x	15.1m x	15.5m x			12
14	13.5	13.5	13.5	13.5	13.5	13.5	13.5	13.5t	13.5t	13.5t	13.5t			14
16	13.5	13.5	13.5	13.5	13.5	13.5	13.5	13.5	13.5	13.5	13.5	13.5	13.5	16
18	13.5	13.5	13.5	13.5	13.5	13.5	13.5	13.5	13.5	13.5	13.5	13.5	13.5	18
20	13.5	13.5	13.5	13.5	13.5	13.5	13.5	13.5	13.5	13.5	13.5	13.5	13.5	20
22	13.5	13.5	13.5	13.5	13.5	13.5	13.5	13.5	13.5	13.5	13.5	13.5	13.5	22
24	13.5	13.5	13.5	13.5	13.5	13.5	13.5	13.5	13.5	13.5	13.5	13.5	13.5	24
26	13.5	13.5	13.5	13.5	13.5	13.5	13.5	13.5	13.5	13.5	13.5	13.5	13.5	26
28	13.5	13.5	13.5	13.5	13.5	13.5	13.5	13.5	13.5	13.5	13.5	13.5	13.5	28
30	13.5	13.5	13.5	13.5	13.5	13.5	13.5	13.5	13.5	13.5	13.5	13.5	13.1	30
32	13.5	13.5	13.5	13.5	13.5	13.5	13.5	13.5	13.5	13.5	13.5	13.5	12.6	32
34	13.5	13.5	13.5	13.5	13.5	13.5	13.5	13.5	13.5	13.5	13.5	13.5	12.1	34
36	13.5	13.5	13.5	13.5	13.5	13.5	13.5	13.5	13.5	13.5	13.5	13.5	11.8	36
38	13.5	13.5	13.5	13.5	13.5	13.5	13.5	13.5	13.5	13.5	13.5	13.3	11.3	38
40	13.5	13.5	13.5	13.5	13.5	13.5	13.5	13.5	13.5	13.5	13.5	12.8	11.0	40
42	13.5	13.5	13.5	13.5	13.5	13.5	13.5	13.5	13.5	13.5	13.5	12.5	10.6	42
44	13.5	13.5	13.5	13.5	13.5	13.5	13.5	13.2	12.8	12.5	12.6	12.1	10.2	44
46	13.5	13.5	13.2	12.9	12.5	12.5	12.1	11.8	11.3	11.5	11.1	9.8	9.6	46
48	12.6	12.5	12.2	11.8	11.5	11.5	11.1	10.8	10.3	10.4	10.1	9.6	9.6	48
50	11.8	11.6	11.3	11.0	10.6	10.5	10.1	9.8	9.4	9.5	9.1	8.7	8.7	50
52	50.5m x	10.8	10.5	10.1	9.7	9.7	9.3	9.0	8.6	8.6	8.3	7.9	7.9	52
54	11.6t	53.1m x	9.7	9.3	9.0	8.9	8.5	8.1	7.8	7.9	7.5	7.0	7.0	54
56		10.4t	55.8m x	8.6	8.3	8.2	7.8	7.5	7.0	7.1	6.8	6.4	6.4	56
58			9.1t	8.0	7.6	7.5	7.1	6.8	6.4	6.5	6.1	5.6	5.6	58
60			58.4m x	7.0	6.9	6.5	6.1	5.8	5.9	5.5	5.0	5.0	5.0	60
62			7.9t	61.1m x	6.4	6.0	5.6	5.2	5.3	4.9	4.5	4.5	4.5	62
64				6.8t	63.7m x	5.5	5.1	4.6	4.7	4.4	3.9	3.9	3.9	64
66					5.9t	5.0	4.6	4.2	4.2	3.9	3.4	3.4	3.4	66
68						66.3m x	4.1	3.7	3.7	3.4	3.0	3.0	3.0	68
70						4.9t	69.0m x	3.3	3.3	3.0	2.5	2.5	2.5	70
72							4.0t	71.6m x	2.9	2.5	2.1	2.1	2.1	72
74								3.0t	2.5	2.2	72.5m x	2.0	2.0	74
75									74.3m x	2.0	2.0t	2.0t	2.0t	75

* For notes about the table above, refer to page 13.

■ Main Boom with Aux. Sheave



Working Radius(m)	Boom Length (m)												Working Radius(m)	
	18.30	21.35	24.40	27.45	30.50	33.50	36.55	39.60	42.65	45.70	48.75	51.80		
4.8	242.4	5.2m x 215.4t												4.8
5	241.8	215.4t	5.7m x 214.6t											5
5.5	222.7	214.5	214.6t	6.1m x 188.4t	6.6m x 161.4t									5.5
6	205.0	204.7	204.3				7.5m x 134.4t							6
7	176.7	176.4	176.0	175.7	161.4	147.9	134.4t		8.4m x 120.2t	8.9m x 107.4t				7
8	155.1	154.8	154.5	154.2	154.0	147.2	134.2		120.2	120.9	107.4	9.3m x 93.9t	9.8m x 92.6t	8
9	138.0	137.7	137.4	137.0	136.2	132.2	129.9	119.2	120.9	107.4				9
10	124.2	123.9	123.5	123.3	120.4	117.0	115.4	112.4	109.4	106.8	93.9	92.4		10
12	101.6	101.5	101.4	99.5	97.2	94.8	94.0	91.9	89.7	87.8	85.9	83.9		12
14	81.4	81.3	81.1	80.9	80.9	79.3	79.0	77.3	75.5	74.1	72.6	71.0		14
16	67.4	67.3	67.2	67.0	66.9	66.7	67.8	66.4	65.0	63.9	62.6	61.3		16
18	17.6m x 59.2t	57.1	57.0	56.8	56.7	56.4	57.6	57.4	56.8	55.9	54.8	53.6		18
20		49.4	49.3	49.1	48.9	48.7	49.8	49.6	49.3	49.1	48.5	47.5		20
22		20.2m x 48.9t	43.3	43.0	42.9	42.6	43.6	43.4	43.1	43.0	42.8	42.4		22
24			22.8m x 41.2t	38.1	37.9	37.6	38.7	38.4	38.1	38.1	37.8	37.5		24
26				25.5m x 35.1t	33.9	33.6	34.6	34.4	34.1	33.9	33.7	33.4		26
28					30.6	30.2	31.2	31.0	30.6	30.6	30.3	30.0		28
30					28.1m x 30.4t	27.4	28.4	28.1	27.7	27.6	27.4	27.1		30
32						30.8m x 26.4t	25.9	25.6	25.2	25.1	24.9	24.6		32
34							33.4m x 24.4t	23.5	23.1	23.0	22.7	22.4		34
36								21.6	21.2	21.1	20.8	20.5		36
38									19.6	19.4	19.1	18.7		38
40									38.7m x 19.1t	18.0	17.6	17.2		40
42										41.3m x 17.1t	16.3	16.0		42
44											15.2	14.7		44
46												13.7		46
48												46.6m x 13.5t		48
50													13.5t	50

- The rated loads are determined according to EN13000 rating on the condition that the machine is stationed on firm, level ground.
- The figures surrounded by bold lines are based on factors other than those which would cause a tipping condition.
- Be sure to attach the 275 / 250 t hook upper spreader to the top boom when boom length is 18.30 m.
- Be sure to remove the 275 / 250 t hook upper spreader from the top boom when boom length is 36.55 m or more.
- To calculate the maximum load that can actually be lifted, deduct weight of all lifting accessories, such as boom hook and jib hook, from figures shown above. However, work cannot be undertaken where the range falls below 0.9 ton after the weight is deducted.
- Working radius is the horizontal distance from the slewing center to the center of gravity of a lifted load.
- The counter weight is 124.3 ton. (Superstructure 100.2 ton + lower weight 24.1 ton)
- Figures described as OOm x OOt in the tables indicate "working radius" m x "rated load" ton.
- Be sure to fully extend the crawler before operating the machine.
- Correlation between the number of reeved lines, maximum rated loads, hook weights are shown in the table below.

Hook Capacity (t)	Hook Weight (t)	Maximum Rated Loads (t)										
		18 falls	17 falls	16 falls	15 falls	14 falls	13 falls	12 falls	11 falls	10 falls	9 falls	8 falls
275	4.3	243.0	229.5	216.0	202.5	189.0	175.5	162.0	148.5	-	-	-
250	3.7	243.0	229.5	216.0	202.5	189.0	175.5	162.0	148.5	-	-	-
145	3.3 / 2.7 / 2.35	-	-	-	-	-	-	-	-	145.0	121.5	108.0
80	2.0	-	-	-	-	-	-	-	-	-	-	-
35	1.4	-	-	-	-	-	-	-	-	-	-	-
27	0.9	-	-	-	-	-	-	-	-	-	-	-
13.5	0.6	-	-	-	-	-	-	-	-	-	-	-

Hook Capacity (t)	Hook Weight (t)	Maximum Rated Loads (t)						
		7 falls	6 falls	5 falls	4 falls	3 falls	2 falls	1 fall
275	4.3	-	-	-	-	-	-	-
250	3.7	-	-	-	-	-	-	-
145	3.3 / 2.7 / 2.35	94.5	81.0	67.5	54.0	40.5	27.0	-
80	2.0	-	80.0	67.5	54.0	40.5	27.0	-
35	1.4	-	-	-	-	35.0	27.0	-
27	0.9	-	-	-	-	-	27.0	-
13.5	0.6	-	-	-	-	-	-	13.5

■ Main Boom with Aux. Sheave



Working Radius (m)	Boom Length (m)												Unit: ton
	54.85	57.90	60.95	64.00	67.05	70.10	73.15	76.20	79.25	82.30	85.35	88.40	Working Radius (m)
9	10.2m x	10.7m x	11.1m x	11.6m x									9
10	80.4t	77.7t	66.9t	65.0t		12.5m x	12.9m x	13.4m x	13.8m x				10
12					59.9	53.4t	49.7t	45.9t	42.1t	14.3m x	14.7m x	15.2m x	12
14	69.7	68.3	66.9	63.9	59.1	53.4	49.4	45.6	41.9	37.7t	33.6t	27.0t	14
16	60.1	59.1	58.0	56.8	55.6	52.5	48.6	45.0	41.4	36.6	32.8	27.0	16
18	52.6	51.8	50.9	49.8	48.7	48.1	47.1	43.9	40.3	35.3	31.7	27.0	18
20	46.6	45.9	45.1	44.1	43.1	42.6	41.7	40.8	38.6	33.8	30.3	27.0	20
22	41.6	40.9	40.3	39.4	38.5	38.1	37.3	36.4	35.6	32.1	29.0	25.8	22
24	37.3	36.9	36.3	35.4	34.6	34.3	33.4	32.7	31.9	30.4	27.6	24.6	24
26	33.2	33.1	32.8	32.1	31.3	31.0	30.2	29.6	28.8	28.6	26.5	23.5	26
28	29.7	29.6	29.4	29.1	28.4	28.1	27.4	26.7	26.1	25.9	25.0	22.4	28
30	26.8	26.6	26.5	26.1	25.8	25.6	25.0	24.4	23.6	23.6	22.9	21.5	30
32	24.3	24.1	24.0	23.6	23.2	23.3	22.8	22.2	21.6	21.5	20.9	20.1	32
34	22.1	22.0	21.7	21.5	21.1	21.1	20.7	20.3	19.6	19.6	19.0	18.4	34
36	20.2	20.1	19.9	19.5	19.1	19.1	18.8	18.5	18.0	18.0	17.4	16.7	36
38	18.5	18.4	18.1	17.8	17.5	17.5	17.1	16.7	16.4	16.5	15.9	15.2	38
40	17.0	16.9	16.6	16.3	15.9	16.0	15.6	15.2	14.9	15.0	14.5	13.9	40
42	15.6	15.5	15.2	15.0	14.5	14.5	14.2	13.9	13.5	13.6	13.2	12.7	42
44	14.5	14.3	14.0	13.7	13.4	13.4	13.0	12.7	12.2	12.4	12.0	11.5	44
46	13.4	13.2	13.0	12.6	12.2	12.2	11.9	11.5	11.2	11.2	10.9	10.5	46
48	12.4	12.2	12.0	11.6	11.2	11.2	10.9	10.5	10.2	10.2	9.9	9.5	48
50	49.2m x	11.4	11.0	10.7	10.3	10.3	9.9	9.6	9.2	9.3	9.0	8.5	50
52	11.9t	51.9m x	10.2	9.9	9.5	9.5	9.0	8.7	8.4	8.5	8.1	7.7	52
54		10.6t	9.5	9.1	8.7	8.7	8.3	8.0	7.6	7.7	7.4	6.9	54
56			54.5m x	8.4	8.0	8.0	7.6	7.3	6.9	6.9	6.6	6.2	56
58			9.3t	57.2m x	7.4	7.3	6.9	6.6	6.2	6.3	5.9	5.5	58
60				8.0t	59.8m x	6.7	6.3	6.0	5.6	5.7	5.3	4.9	60
62					6.8t	6.2	5.8	5.4	5.0	5.1	4.8	4.3	62
64						62.4m x	5.2	4.9	4.5	4.5	4.2	3.8	64
66						6.1t	65.1m x	4.4	4.0	4.0	3.7	3.3	66
68							5.0t	67.7m x	3.5	3.6	3.3	2.8	68
70								4.1t	3.1	3.1	2.8	2.4	70
72									70.4m x	2.8	2.4	71.6m x	72
74									3.1t	73.0m x	2.0	2.0t	74

* For notes about the table above, refer to page 15.

■Crane Jib



Unit: ton											
Boom Length (m)	45.70										Boom Length (m)
Jib Length (m)	12.20		18.30		24.40		30.50		36.55		Jib Length (m)
Offset Angle(°)	10	30	10	30	10	30	10	30	10	30	Offset Angle(°)
Working Radius (m)											Working Radius (m)
12.3	27.0	15.8m x	14.3m x								12.3
14	27.0	13.9t	23.4t		16.4m x						14
16	27.0	13.8	22.9		13.5t		18.3m x				16
18	27.0	13.5	22.2	20.1m x	13.5		11.8t		20.3m x		18
20	27.0	12.9	21.7	10.1t	13.5	23.9m x	11.6		8.2t		20
22	27.0	12.4	21.1	9.8	13.5	7.8t	11.3		8.0		22
24	25.7	12.0	20.6	9.3	13.5	7.8	10.9	27.6m x	7.6		24
26	24.2	11.6	19.7	9.0	13.5	7.5	10.6	6.1t	7.3		26
28	22.7	11.2	18.6	8.7	13.5	7.1	10.3	6.1	7.0	31.4m x	28
30	21.5	10.8	17.5	8.4	13.5	6.9	10.1	5.9	6.6	4.8t	30
32	20.3	10.6	16.6	8.1	13.5	6.6	9.8	5.6	6.4	4.7	32
34	19.3	10.3	15.8	7.9	13.3	6.5	9.5	5.5	6.1	4.5	34
36	18.4	10.0	15.0	7.6	12.8	6.3	9.3	5.3	5.9	4.4	36
38	17.6	9.8	14.3	7.5	12.2	6.0	9.0	5.0	5.6	4.3	38
40	16.8	9.6	13.6	7.3	11.6	5.9	8.8	4.9	5.4	4.1	40
42	16.2	9.3	13.1	7.1	11.1	5.7	8.5	4.8	5.2	4.0	42
44	15.5	9.1	12.6	7.0	10.7	5.5	8.2	4.6	5.0	3.9	44
46	14.8	9.0	12.1	6.8	10.3	5.4	8.0	4.5	4.9	3.8	46
48	13.8	8.9	11.6	6.6	9.8	5.3	7.8	4.4	4.7	3.7	48
50	12.9	8.8	11.3	6.5	9.5	5.1	7.5	4.3	4.5	3.5	50
52	12.1	8.7	10.8	6.4	9.2	5.0	7.4	4.1	4.4	3.5	52
54	52.4m x	53.0m x	10.5	6.4	8.8	5.0	7.1	4.0	4.3	3.4	54
56	12.0t	8.7t	10.2	6.3	8.6	4.9	7.0	4.0	4.1	3.2	56
58	*53.1m x	*53.8m x	9.9	6.2	8.3	4.8	6.9	3.9	4.0	3.2	58
60	11.6t	8.7t	58.1m x	59.9m x	8.1	4.8	6.7	3.8	3.9	3.1	60
64			9.8t	6.2t	7.6	4.6	6.4	3.7	3.7	3.0	64
68			*58.8m x		64.5m x	66.0m x	6.2	3.6	3.5	2.9	68
72			9.8t		7.6t	4.6t	70.3m x	3.5	3.4	2.8	72
76							6.0t	72.1m x	3.3	2.7	76
80								3.5t		78.2m x	80
80.8										2.7t	80.8

- The rated loads are determined according to EN13000 rating on the condition that the machine is stationed on firm, level ground.
- The figures surrounded by bold lines are based on factors other than those which would cause a tipping condition.
- To calculate the maximum load that can actually be lifted, deduct weight of all lifting accessories, such as boom hook and jib hook, from figures shown above. However, work cannot be undertaken where the range falls below 0.9 ton after the weight is deducted.
- Working radius is the horizontal distance from the slewing center to the center of gravity of a lifted load.
- The offset angles shown are of jib boom offset angle against the main boom, under load.
- The counter weight is 124.3 ton. (Superstructure 100.2 ton + lower weight 24.1 ton)
- Figures described as OOm x OOt in the tables indicate "working radius" m x "rated load" ton.
- The 12.20 m jib offset angle 10° and 30°, 18.30 m jib offset angle 10° values are shown with 2 falls.
Note that the working radius marked with * indicates the maximum working radius with 1 fall.
Others are shown as the value with 1 fall.
- Be sure to fully extend the side frames before operating the machine.
- Hook mass are shown in the table below.

Hook Capacity (t)	Hook Weight (t)
275	4.3
250	3.7
145	3.3 / 2.7 / 2.35
80	2.0
35	1.4
27	0.9
13.5	0.6

■Crane Jib



Unit: ton

Boom Length (m)	48.75										Boom Length (m)
Jib Length (m)	12.20		18.30		24.40		30.50		36.55		Jib Length (m)
Offset Angle(°)	10	30	10	30	10	30	10	30	10	30	Offset Angle(°)
Working Radius (m)											Working Radius (m)
12.3	12.8m x 27.0t		14.7m x 23.4t		16.9m x 13.5t		18.8m x 11.8t		20.7m x 8.1t		12.3
14	27.0	16.3m x 13.9t	23.1		13.5		11.6		8.0		14
16	27.0	13.6	22.4		13.5		11.0		7.8		16
18	27.0	13.1	21.8	20.5m x 10.1t	13.5		10.6		7.4		18
20	27.0	12.6	21.3	9.8	13.5	24.3m x 7.8t	11.3		8.0		20
22	26.6	12.1	20.8	9.5	13.5	7.8t	11.0		7.8		22
24	25.0	11.8	20.3	9.1	13.5	7.5	10.6	28.1m x 6.1t	7.4		24
26	23.5	11.3	19.1	8.8	13.5	7.3	10.4	6.1t	7.0	31.9m x 4.7t	26
28	22.2	11.0	18.1	8.6	13.5	7.0	10.1	5.9	6.8		28
30	21.1	10.7	17.1	8.3	13.5	6.8	9.8	5.7	6.5	4.7	30
32	20.1	10.5	16.2	8.0	13.5	6.5	9.6	5.5	6.2	4.5	32
34	19.1	10.1	15.5	7.8	13.2	6.3	9.4	5.3	6.0	4.5	34
36	18.2	10.0	14.8	7.6	12.6	6.1	9.1	5.1	5.7	4.3	36
38	17.5	9.7	14.1	7.4	12.0	6.0	8.9	5.0	5.5	4.2	38
40	16.8	9.5	13.6	7.2	11.5	5.8	8.6	4.8	5.3	4.1	40
42	15.6	9.3	13.0	7.0	11.1	5.6	8.3	4.7	5.1	4.0	42
44	14.5	9.1	12.6	6.9	10.6	5.5	8.1	4.5	5.0	3.9	44
46	13.5	9.0	12.1	6.8	10.2	5.4	7.9	4.5	4.8	3.7	46
48	12.6	8.9	11.6	6.6	9.8	5.3	7.7	4.3	4.6	3.6	48
50	11.7	8.8	11.3	6.5	9.5	5.1	7.5	4.2	4.5	3.5	50
52	11.0	8.7	10.9	6.4	9.1	5.0	7.3	4.1	4.4	3.4	52
54	55.0m x 10.6t	55.7m x 8.7t	10.6	6.4	8.8	5.0	7.1	4.0	4.3	3.3	54
56	10.6t	8.7t	10.0	6.3	8.6	4.9	7.0	4.0	4.1	3.2	56
58	*55.7m x 10.5t	*56.5m x 8.7t	9.3	6.2	8.3	4.8	6.9	3.9	4.0	3.2	58
60			60.7m x 9.1t	62.6m x 6.2t	7.9	4.7	6.5	3.7	3.8	3.0	60
64			9.1t	6.2t	67.2m x 4.6t	6.3	3.6	3.6	2.9	68	
68			*61.5m x 8.8t		7.5t	68.7m x 4.6t	6.1	3.5	3.5	2.8	72
72						72.9m x 6.0t	74.8m x 3.5t	3.4	2.7	76	
76								78.6m x 3.3t	2.7	80	
80									2.7	80.8	
80.8									2.7		

Boom Length (m)	51.80										Boom Length (m)
Jib Length (m)	12.20		18.30		24.40		30.50		36.55		Jib Length (m)
Offset Angle(°)	10	30	10	30	10	30	10	30	10	30	Offset Angle(°)
Working Radius (m)											Working Radius (m)
13.2	27.0		15.2m x 23.3t		17.3m x 13.5t		19.2m x 11.8t		21.2m x 8.1t		13.2
14	27.0	16.7m x 13.9t	23.1		13.5		11.6		8.1		14
16	27.0	13.6	22.5	21.0m x 10.1t	13.5		10.6		7.8		16
18	27.0	13.1	21.9	9.9	13.5	24.8m x 7.8t	11.3		8.1		18
20	27.0	12.7	21.5	9.6	13.5	7.8t	11.1		7.9		20
22	27.0	12.3	21.0	9.6	13.5	7.5	10.8	28.5m x 6.1t	7.5		22
24	25.7	11.9	20.5	9.2	13.5	7.3	10.5	6.1t	7.1		24
26	24.3	11.5	19.7	8.9	13.5	7.0	10.2	6.0	6.9	32.3m x 4.7t	26
28	23.0	11.2	18.6	8.6	13.5	6.8	10.0	5.8	6.5	4.7t	28
30	21.8	10.9	17.7	8.3	13.5	6.6	9.7	5.5	6.3	4.6	30
32	20.7	10.6	16.7	8.1	13.5	6.4	9.5	5.4	6.0	4.5	32
34	19.8	10.3	16.0	7.9	13.3	6.2	9.3	5.2	5.8	4.4	34
36	19.0	10.1	15.3	7.7	13.0	6.0	9.0	5.0	5.6	4.2	36
38	17.8	9.8	14.6	7.5	12.4	5.8	8.6	4.8	5.3	4.0	38
40	16.5	9.6	14.0	7.4	11.8	5.6	8.3	4.6	5.0	3.9	40
42	15.3	9.5	13.5	7.1	11.4	5.5	8.1	4.5	4.9	3.7	42
44	14.1	9.3	13.0	7.0	11.0	5.4	7.9	4.4	4.8	3.7	44
46	13.1	9.1	12.5	6.9	10.6	5.3	7.6	4.3	4.6	3.5	46
48	12.2	9.0	12.1	6.8	10.1	5.1	7.5	4.1	4.5	3.5	48
50	11.3	8.9	11.6	6.6	9.8	5.0	7.3	4.1	4.3	3.4	50
52	10.6	8.8	11.0	6.5	9.5	4.9	7.1	4.0	4.2	3.3	52
54	9.9	8.8	10.3	6.4	9.1	4.8	6.9	3.9	4.1	3.2	54
56	57.7m x 9.3t	58.3m x 8.7t	9.6	6.4	8.9	4.7	6.7	3.7	3.9	3.0	56
58			63.4m x 8.1t	65.2m x 6.2t	8.1	4.6	6.5	3.7	3.7	3.0	58
60	*58.4m x 9.1t	*59.1m x 8.7t	8.1t	6.2t	7.4	4.6	6.5	3.7	3.7	3.0	60
64			*64.1m x 7.9t		69.8m x 7.0t	71.3m x 4.6t	6.2	3.6	3.5	2.9	64
68							75.6m x 6.0t	3.5	3.4	2.8	68
72								77.4m x 3.5t	3.3	2.7	72
76									81.3m x 3.3t	2.7	76
80									83.5m x 2.7t	2.7	80
84										2.7	84
86.1											86.1

* For notes about the table above, refer to page 17.

■ Crane Jib



Unit: ton											
Boom Length (m)	54.85										Boom Length (m)
Jib Length (m)	12.20		18.30		24.40		30.50		36.55		Jib Length (m)
Offset Angle(°)	10	30	10	30	10	30	10	30	10	30	Offset Angle(°)
Working Radius (m)											Working Radius (m)
13.2	13.7m x 27.0t		15.6m x 23.2t		17.8m x 13.5t		19.7m x 11.8t		21.6m x 8.1t		13.2
14	27.0	17.2m x 13.9t	23.2		13.5		11.8t		8.1		14
16	27.0	13.8	22.6		10.1t		11.7		7.9		16
18	27.0	13.3	22.1	21.4m x 10.1t	13.5		10.8		7.5		18
20	27.0	12.8	21.6	10.0	13.5	25.2m x 11.4		10.6	29.0m x 6.1t	7.3	20
22	27.0	12.4	21.1	9.6	13.5	7.8t	11.1		7.0		22
24	26.6	12.1	20.6	9.3	13.5	7.6	10.8		6.6		24
26	25.1	11.6	20.2	9.0	13.5	7.4	10.6		6.4		26
28	23.7	11.3	19.1	8.8	13.5	7.1	10.3		6.2		28
30	22.6	11.1	18.2	8.5	13.5	6.9	10.1		6.0	32.8m x 4.7t	30
32	21.5	10.8	17.2	8.3	13.5	6.6	9.8		5.8		32
34	20.5	10.5	16.5	8.0	13.5	6.5	9.6		5.6		34
36	19.1	10.3	15.8	7.8	13.3	6.3	9.3		5.4		36
38	17.6	10.0	15.1	7.6	12.8	6.1	9.1		5.3		38
40	16.2	9.8	14.5	7.5	12.2	6.0	9.0		5.1		40
42	15.0	9.6	13.9	7.3	11.7	5.8	8.7		5.0		42
44	13.8	9.5	13.4	7.1	11.3	5.6	8.5		4.8		44
46	12.8	9.3	12.9	7.0	10.8	5.5	8.3		4.6		46
48	11.8	9.1	12.3	6.9	10.5	5.4	8.0		4.5		48
50	11.0	9.0	11.5	6.7	10.1	5.3	7.8		4.4		50
52	10.3	8.9	10.6	6.6	9.8	5.2	7.6		4.3		52
54	9.5	8.8	9.9	6.5	9.5	5.1	7.5		4.2		54
56	8.8	8.8	9.3	6.4	9.1	5.0	7.3		4.1		56
58	8.3	8.4	8.6	6.4	8.9	5.0	7.1		4.0		58
60	60.3m x 8.2t	60.9m x 8.1t	7.5	6.2	8.1	4.8	6.9		4.0		60
64			66.0m x 7.0t	67.8m x 6.2t	7.0	4.7	6.5		3.8		64
68	*61.0m x 8.0t	*61.7m x 8.1t	7.0t	6.2t	6.1	4.6	6.4		3.7		68
72			*66.7m x 6.7t		72.5m x 6.0t	73.9m x 4.6t	5.6		3.6		72
76					6.0t	4.6t	78.2m x 5.2t		3.5		76
80									3.5		80
84									3.4		84
86.1									83.9m x 3.2t	2.7	86.1

Unit: ton											
Boom Length (m)	57.90										Boom Length (m)
Jib Length (m)	12.20		18.30		24.40		30.50		36.55		Jib Length (m)
Offset Angle(°)	10	30	10	30	10	30	10	30	10	30	Offset Angle(°)
Working Radius (m)											Working Radius (m)
14.1	27.0	17.6m x 13.8t	16.1m x 23.2t		18.2m x 13.5t		20.1m x 11.8t		22.1m x 8.1t		14.1
16	27.0	13.7	22.7		13.5		11.5		8.0		16
18	27.0	13.4	22.2	21.9m x 10.1t	13.5		11.1		7.6		18
20	27.0	13.0	21.7	10.1	13.5	25.7m x 11.5		10.9	29.5m x 6.1t	7.4	20
22	27.0	12.6	21.3	9.7	13.5	7.7t	11.1		7.0		22
24	27.0	12.1	20.8	9.4	13.5	7.6	10.9		6.8		24
26	25.8	11.8	20.4	9.1	13.5	7.4	10.6		6.6		26
28	24.5	11.5	19.6	8.8	13.5	7.1	10.4		6.4		28
30	23.2	11.2	18.7	8.6	13.5	7.0	10.1		6.2	33.2m x 4.7t	30
32	22.1	10.9	17.7	8.3	13.5	6.8	10.0		6.0		32
34	20.6	10.6	17.0	8.1	13.5	6.5	9.7		5.8		34
36	18.9	10.4	16.2	7.9	13.4	6.4	9.5		5.6		36
38	17.3	10.1	15.5	7.7	13.1	6.2	9.3		5.4		38
40	16.0	10.0	14.9	7.5	12.6	6.0	9.1		5.3		40
42	14.7	9.8	14.3	7.4	12.1	5.9	8.8		5.1		42
44	13.6	9.6	13.8	7.2	11.6	5.8	8.6		5.0		44
46	12.6	9.4	13.1	7.0	11.1	5.6	8.4		4.8		46
48	11.6	9.3	12.1	7.0	10.8	5.5	8.1		4.7		48
50	10.8	9.1	11.2	6.8	10.4	5.4	8.0		4.6		50
52	10.0	9.0	10.5	6.7	10.1	5.3	7.8		4.5		52
54	9.3	8.9	9.7	6.6	9.8	5.1	7.6		4.4		54
56	8.6	8.8	9.1	6.5	9.5	5.1	7.4		4.3		56
58	8.1	8.2	8.4	6.4	9.0	5.0	7.3		4.2		58
60	62.9m x 7.3t	63.6m x 7.1t	7.3	6.3	7.9	4.9	7.0		4.1		60
64			6.4	6.2	6.8	4.8	6.7		4.0		64
68	*63.6m x 7.1t	*64.4m x 6.8t	6.8m x 6.2t	70.5m x 6.1t	6.0	4.6	6.2		3.9		68
72					75.1m x 5.4t	76.6m x 4.6t	5.4		3.7		72
76							80.8m x 4.5t		3.5		76
80									3.5		80
84									3.4		84
88									82.7m x 3.5t	2.7	88
91.4									86.6m x 3.2t	2.7	91.4

* For notes about the table above, refer to page 17.

■Crane Jib



											Unit: ton
Boom Length (m)	60.95										Boom Length (m)
Jib Length (m)	12.20		18.30		24.40		30.50		36.55		Jib Length (m)
Offset Angle(°)	10	30	10	30	10	30	10	30	10	30	Offset Angle(°)
Working Radius (m)											Working Radius (m)
14.1	14.6m x 27.0t		16.5m x 23.2t		18.7m x 13.5t		20.6m x 11.7t		22.5m x 8.1t		14.1
16	27.0	18.1m x 13.8t	22.8		13.5		11.5		8.0		16
18	27.0	13.5	22.3	22.3m x 10.1t	13.5		11.0		7.8		18
20	27.0	13.1	21.8	9.8	13.5	26.1m x 7.7t	11.3		8.0		20
22	27.0	12.6	21.4	9.5	13.5	7.5	10.7	29.9m x 6.0t	7.5		22
24	27.0	12.3	21.0	9.2	13.5	7.3	10.5	6.0	7.4	33.7m x 4.9t	24
26	26.5	12.0	20.6	8.9	13.5	7.0	10.2	5.9	7.2	4.9	26
28	25.2	11.6	20.1	8.6	13.5	6.8	10.0	5.7	7.0	4.9	28
30	23.9	11.3	19.1	8.5	13.5	6.6	9.8	5.5	6.9	4.6	30
32	22.3	11.1	18.2	8.2	13.5	6.5	9.6	5.4	6.6	4.5	32
34	20.3	10.8	17.4	8.0	13.5	6.3	9.3	5.2	6.6	4.4	34
36	18.7	10.6	16.7	7.8	13.3	6.1	9.1	5.0	6.4	4.3	36
38	17.1	10.3	16.0	7.6	12.8	6.0	9.0	4.9	6.2	4.1	38
40	15.7	10.1	15.3	7.5	12.3	5.8	8.8	4.8	6.0	4.0	40
42	14.5	9.9	14.8	7.3	11.9	5.7	8.6	4.6	6.0	3.9	42
44	13.3	9.7	13.8	7.1	11.5	5.5	8.4	4.5	5.8	3.8	44
46	12.3	9.6	12.8	7.0	11.1	5.4	8.1	4.5	5.6	3.7	46
48	11.3	9.4	11.8	6.9	10.7	5.3	8.0	4.4	5.5	3.6	48
50	10.5	9.3	11.0	6.8	10.3	5.2	7.8	4.3	5.4	3.5	50
52	9.7	9.1	10.1	6.6	10.0	5.1	7.6	4.1	5.2	3.4	52
54	9.0	9.0	9.4	6.5	8.7	5.0	7.5	4.1	5.0	3.4	54
56	8.3	8.6	8.8	6.4	7.5	4.9	7.1	4.0	4.8	3.2	56
58	7.7	7.9	8.1	6.2	6.5	4.8	6.8	3.8	4.6	3.0	58
60	6.6	6.8	7.0	6.0	5.5	4.7	5.9	3.7	4.4	3.0	60
64	65.6m x 6.3t	66.2m x 6.2t	71.3m x 5.3t	73.1m x 5.3t	77.7m x 4.5t	79.2m x 4.5t	83.5m x 3.9t	85.3m x 3.5t	89.2m x 3.2t	3.5	64
68											68
72											72
76	*66.3m x 6.0t	*67.0m x 6.0t	*72.0m x 5.1t								76
80											80
84											84
88											88
91.4											91.4

* For notes about the table above, refer to page 17.

■ Crane Jib



											Unit: ton
Boom Length (m)	64.00										Boom Length (m)
Jib Length (m)	12.20		18.30		24.40		30.50		36.55		Jib Length (m)
Offset Angle(°)	10	30	10	30	10	30	10	30	10	30	Offset Angle(°)
Working Radius (m)											Working Radius (m)
15	27.0		17.0m x								15
16	27.0	18.5m x	23.1t		19.1m x						16
18	27.0	13.8t	22.9		13.5t		21.0m x				18
20	27.0	13.6	22.4	22.8m x	13.5		11.7t		23.0m x		20
22	27.0	13.1	22.0	10.1t	13.5		11.6		8.1t		22
24	27.0	12.8	21.5	9.8	13.5	26.6m x	11.3		8.0		24
26	27.0	12.4	21.1	9.6	13.5	7.7t	11.1		7.8		26
28	27.0	12.1	20.7	9.3	13.5	7.5	10.8	30.4m x	7.6		28
30	25.8	11.8	20.2	9.0	13.5	7.3	10.6	6.0t	7.4		30
32	23.8	11.5	19.6	8.8	13.5	7.0	10.3	5.9	7.3	34.1m x	32
34	21.9	11.2	18.7	8.5	13.5	6.9	10.1	5.7	7.0	4.9t	34
36	20.1	10.9	17.8	8.3	13.5	6.7	9.8	5.5	6.9	4.7	36
38	18.3	10.6	17.1	8.1	13.5	6.5	9.6	5.4	6.7	4.5	38
40	16.7	10.5	16.4	7.9	13.4	6.4	9.5	5.3	6.5	4.4	40
42	15.3	10.3	15.8	7.8	13.1	6.1	9.3	5.1	6.4	4.3	42
44	14.1	10.1	14.6	7.5	12.7	6.0	9.1	5.0	6.3	4.1	44
46	13.0	9.8	13.5	7.4	12.2	5.9	8.8	4.9	6.1	4.0	46
48	12.0	9.7	12.4	7.3	11.8	5.8	8.7	4.7	6.0	4.0	48
50	11.0	9.5	11.5	7.1	11.3	5.6	8.5	4.6	5.9	3.8	50
52	10.1	9.3	10.6	7.0	11.0	5.5	8.4	4.5	5.7	3.7	52
54	9.3	9.3	9.8	6.9	10.5	5.4	8.2	4.4	5.5	3.7	54
56	8.6	9.0	9.1	6.8	9.7	5.3	8.0	4.3	5.5	3.5	56
58	8.0	8.3	8.4	6.6	9.1	5.2	7.8	4.2	5.3	3.5	58
60	7.4	7.6	7.8	6.5	8.4	5.1	7.5	4.1	5.2	3.4	60
64	6.3	6.5	6.6	6.4	7.2	5.0	7.3	4.0	4.9	3.2	64
68	5.3	5.4	5.6	6.2	6.2	4.9	6.5	3.9	4.6	3.1	68
72	68.2m x	68.9m x	4.8	5.3	5.3	4.7	5.5	3.7	4.5	3.0	72
76	5.3t	5.2t	73.9m x	75.8m x	4.5	4.6	4.8	3.7	4.3	2.9	76
80	*68.9m x	*69.7m x	4.5t	4.4t	3.9	4.0	4.0	3.5	4.1	2.8	80
84	5.2t	5.1t	*74.7m x		80.4m x	81.9m x	3.4	3.5	3.6	2.7	84
88			4.3t		3.7t	3.7t	86.1m x	3.0	3.0	2.7	88
92							3.1t		91.8m x	2.7	92
96									2.5t	94.0m x	96
96.7										2.5t	96.7

* For notes about the table above, refer to page 17.

■Crane Jib



											Unit: ton
Boom Length (m)	67.05										Boom Length (m)
Jib Length (m)	12.20		18.30		24.40		30.50		36.55		Jib Length (m)
Offset Angle(°)	10	30	10	30	10	30	10	30	10	30	Offset Angle(°)
Working Radius (m)											Working Radius (m)
15	15.5m x 27.0t		17.4m x 23.2t		19.6m x 13.5t		21.5m x 11.6t		23.4m x 8.1t		15
16	27.0	19.0m x 13.8t	23.1		13.5		11.6		8.1		16
18	27.0	13.7	22.6		13.5		11.6		7.9		18
20	27.0	13.7	22.6	23.2m x 10.1t	13.5		11.6		7.6		20
22	27.0	13.3	22.1	9.9	13.5	27.0m x 7.7t	11.3		8.1		22
24	27.0	12.9	21.7	9.9	13.5	7.7t	11.1		7.9		24
26	27.0	12.5	21.2	9.6	13.5	7.5	10.8	30.8m x 6.0t	7.6		26
28	26.2	12.2	20.8	9.3	13.5	7.4	10.6		7.3		28
30	25.1	11.8	20.4	9.1	13.5	7.1	10.4		7.0	34.6m x 4.6t	30
32	23.2	11.6	20.0	8.8	13.5	6.9	10.1	6.0	5.8	6.8	32
34	21.2	11.3	19.1	8.6	13.5	6.8	10.0	5.8	5.6	6.5	34
36	19.5	11.1	18.3	8.4	13.5	6.5	9.8	5.6	5.5	6.3	36
38	17.9	10.8	17.5	8.2	13.5	6.4	9.6	5.5	5.3	6.1	38
40	16.3	10.6	16.8	8.0	13.5	6.3	9.3	5.3	5.1	5.9	40
42	15.0	10.3	15.5	7.8	13.3	6.1	9.1	5.1	5.0	5.7	42
44	13.7	10.1	14.3	7.6	13.0	6.0	9.0	5.0	4.9	5.5	44
46	12.6	10.0	13.1	7.5	12.5	5.8	8.8	4.9	4.8	5.4	46
48	11.6	9.8	12.1	7.4	12.1	5.7	8.6	4.8	4.6	5.2	48
50	10.6	9.6	11.1	7.2	11.6	5.6	8.4	4.6	4.5	5.0	50
52	9.8	9.5	10.2	7.1	11.0	5.5	8.2	4.5	4.4	4.9	52
54	9.0	9.3	9.4	7.0	10.1	5.4	8.0	4.4	4.3	4.8	54
56	8.3	8.6	8.6	6.9	9.3	5.3	7.8	4.4	4.3	4.6	56
58	7.5	7.9	8.0	6.8	8.6	5.2	7.6	4.3	4.1	4.5	58
60	7.0	7.2	7.4	6.6	8.0	5.0	7.1	4.1	4.0	4.3	60
64	5.9	6.0	6.2	6.5	6.9	4.9	6.1	4.0	3.9	4.1	64
68	4.9	5.0	5.3	5.9	5.9	4.8	5.2	3.9	3.7	3.9	68
72	70.9m x 4.3t	71.5m x 4.3t	4.4	4.9	5.0	4.8	5.2	3.7	3.7	3.9	72
76			3.7	4.0	4.1	4.5	4.4	3.7	3.7	3.7	76
80	*71.6m x 4.2t	*72.3m x 4.0t	76.6m x 3.5t	78.4m x 3.5t	3.5	3.7	3.7	3.6	3.6	3.6	80
84					83.0m x 3.0t	3.0	3.0	3.4	3.2	2.8	84
88			*77.3m x 3.5t			84.5m x 2.9t	2.5	2.7	2.7	2.7	88
92							88.8m x 2.4t	90.6m x 2.3t	2.2	2.5	92
96									94.5m x 1.9	1.9	96
96.7									1.8t	1.8	96.7

* For notes about the table above, refer to page 17.

■ Crane Jib



											Unit: ton
Boom Length (m)	70.10										Boom Length (m)
Jib Length (m)	12.20		18.30		24.40		30.50		36.55		Jib Length (m)
Offset Angle(°)	10	30	10	30	10	30	10	30	10	30	Offset Angle(°)
Working Radius (m)											Working Radius (m)
15.9	27.0		17.9m x								15.9
16	27.0	19.4m x	23.0t								16
18	27.0	13.8t	22.9					21.9m x			18
20	27.0	13.8	22.6	23.7m x	13.5			11.6t		23.9m x	20
22	27.0	13.3	22.1	10.0t	13.5			11.6		8.1t	22
24	26.1	13.0	21.7	10.0	13.5	27.5m x		11.3		8.1	24
26	24.8	12.6	21.2	9.6	13.5	7.6t		11.1		7.9	26
28	23.7	12.3	20.9	9.4	13.5	7.6	10.9		31.3m x	7.6	28
30	22.6	12.0	20.5	9.1	13.5	7.4	10.6		6.0t	7.4	30
32	21.6	11.7	20.2	8.9	13.5	7.1	10.5	6.0	7.1	35.0m x	32
34	20.6	11.4	19.6	8.7	13.5	7.0	10.2	5.8	6.9	4.6t	34
36	19.2	11.1	18.7	8.5	13.5	6.8	10.0	5.6	6.6	4.6	36
38	17.7	11.0	17.8	8.3	13.5	6.6	9.8	5.5	6.4	4.5	38
40	16.3	10.7	16.6	8.1	13.5	6.5	9.6	5.3	6.1	4.4	40
42	14.9	10.5	15.3	7.9	13.5	6.3	9.5	5.2	6.0	4.3	42
44	13.6	10.3	14.1	7.8	13.2	6.1	9.3	5.0	5.8	4.1	44
46	12.5	10.1	13.0	7.6	12.8	6.0	9.1	4.9	5.6	4.1	46
48	11.5	9.9	12.0	7.5	12.3	5.9	8.9	4.8	5.5	4.0	48
50	10.6	9.8	11.0	7.3	11.8	5.8	8.7	4.7	5.3	3.9	50
52	9.6	9.6	10.1	7.1	10.8	5.6	8.5	4.6	5.1	3.8	52
54	8.8	9.3	9.3	7.0	10.1	5.5	8.3	4.5	5.0	3.7	54
56	8.1	8.5	8.6	6.9	9.3	5.5	8.1	4.4	4.9	3.6	56
58	7.5	7.8	7.9	6.8	8.6	5.4	8.0	4.3	4.7	3.5	58
60	6.9	7.1	7.3	6.7	7.9	5.3	7.8	4.2	4.6	3.5	60
64	5.7	6.0	6.1	6.5	6.8	5.1	7.0	4.0	4.4	3.3	64
68	4.8	5.0	5.1	5.8	5.7	5.0	6.0	4.0	4.1	3.2	68
72	3.9	4.0	4.3	4.8	4.8	4.8	5.1	3.8	4.0	3.0	72
76	73.5m x	74.1m x	3.5	4.0	4.0	4.5	4.3	3.7	3.8	3.0	76
80	3.7t	3.6t	79.2m x	3.2	3.3	3.7	3.5	3.6	3.7	2.9	80
84	*74.2m x	*74.9m x	3.0t	81.0m x	2.7	2.9	2.9	3.4	3.1	2.8	84
88	3.5t	3.4t	*79.9m x	3.0t	85.7m x	87.1m x	2.4	2.7	2.5	2.7	88
92			2.8t		2.5t	2.4t	91.4m x	2.0	2.0	2.4	92
96							1.9t	93.2m x	94.0m x	1.8	96
								1.9t	1.8t		

* For notes about the table above, refer to page 17.

■ Main Boom with Crane Jib



Unit: ton

Boom Length (m)	45.70										Boom Length (m)
Jib Length (m)	12.20		18.30		24.40		30.50		36.55		Jib Length (m)
Offset Angle(°)	10	30	10	30	10	30	10	30	10	30	Offset Angle(°)
Working Radius (m)											Working Radius (m)
8.9	108.0	108.0	107.8	107.5	106.5	106.1	105.2	104.5	103.7	102.8	8.9
9	108.0	108.0	107.6	107.4	106.5	106.0	105.1	104.5	103.6	102.6	9
10	104.3	103.5	103.1	102.0	101.9	100.2	100.5	98.2	99.0	96.0	10
12	85.3	84.7	84.1	83.3	83.0	81.6	81.7	79.9	80.3	77.9	12
14	71.6	71.1	70.5	69.8	69.5	68.3	68.2	66.6	66.9	64.9	14
16	61.4	61.0	60.4	59.7	59.2	58.3	58.0	56.7	56.7	55.1	16
18	53.4	53.0	52.4	51.9	51.3	50.5	50.2	49.0	48.9	47.5	18
20	47.0	46.7	46.0	45.5	45.0	44.3	43.8	42.9	42.5	41.4	20
22	41.0	40.8	40.2	39.8	39.3	38.7	38.3	37.5	37.2	36.2	22
24	36.1	35.9	35.3	35.0	34.4	33.9	33.4	32.7	32.4	31.5	24
26	32.0	31.8	31.2	31.0	30.3	30.0	29.4	28.8	28.3	27.6	26
28	28.7	28.5	27.8	27.6	27.0	26.7	26.1	25.6	25.1	24.4	28
30	25.7	25.6	25.0	24.7	24.1	23.8	23.2	22.8	22.2	21.7	30
32	23.2	23.2	22.5	22.3	21.7	21.5	20.7	20.5	19.8	19.4	32
34	21.1	21.1	20.3	20.2	19.6	19.3	18.7	18.5	17.7	17.4	34
36	19.2	19.2	18.5	18.4	17.7	17.6	16.8	16.7	15.9	15.7	36
38	17.6	17.6	16.9	16.8	16.1	16.0	15.3	15.1	14.3	14.2	38
40	16.2	16.2	15.5	15.4	14.7	14.6	13.8	13.8	13.0	12.9	40
42	41.3m x	41.3m x	41.3m x	41.3m x	41.3m x	41.3m x	41.3m x	41.3m x	41.3m x	41.3m x	42
44	15.3t	15.3t	14.6t	14.6t	13.8t	13.8t	13.1t	13.0t	12.1t	12.1t	44

Unit: ton

Boom Length (m)	48.75										Boom Length (m)
Jib Length (m)	12.20		18.30		24.40		30.50		36.55		Jib Length (m)
Offset Angle(°)	10	30	10	30	10	30	10	30	10	30	Offset Angle(°)
Working Radius (m)											Working Radius (m)
8.9	9.3m x	9.3m x	9.3m x	9.3m x	9.3m x	9.3m x	9.3m x	9.3m x	9.3m x	9.3m x	8.9
9	94.5t	94.5t	94.5t	94.5t	94.5t	94.5t	94.5t	94.5t	94.5t	94.5t	9
10	94.5	94.5	94.5	94.5	94.5	94.5	94.5	94.5	94.5	93.5	10
12	83.3	82.8	82.3	81.4	81.1	79.8	79.9	78.0	78.5	76.0	12
14	70.1	69.6	69.1	68.4	68.0	66.9	66.8	65.2	65.5	63.5	14
16	60.1	59.7	59.2	58.5	58.0	57.1	56.9	55.6	55.6	53.9	16
18	52.3	52.0	51.4	50.8	50.3	49.5	49.2	48.0	47.9	46.5	18
20	46.0	45.7	45.1	44.7	44.0	43.4	43.0	42.0	41.7	40.5	20
22	40.9	40.5	40.0	39.5	39.0	38.4	37.9	37.1	36.7	35.7	22
24	35.9	35.7	35.0	34.7	34.2	33.7	33.2	32.5	32.2	31.2	24
26	31.8	31.6	31.0	30.7	30.2	29.7	29.2	28.6	28.2	27.4	26
28	28.3	28.2	27.6	27.3	26.7	26.3	25.8	25.3	24.8	24.2	28
30	25.5	25.3	24.7	24.5	23.8	23.6	23.0	22.6	22.0	21.5	30
32	23.0	22.8	22.2	22.1	21.4	21.2	20.5	20.2	19.6	19.1	32
34	20.8	20.7	20.1	20.0	19.3	19.1	18.4	18.1	17.5	17.1	34
36	19.0	18.8	18.2	18.1	17.4	17.2	16.6	16.3	15.6	15.3	36
38	17.3	17.2	16.6	16.5	15.8	15.6	15.0	14.8	14.1	13.8	38
40	15.8	15.8	15.1	15.1	14.3	14.3	13.5	13.4	12.6	12.5	40
42	14.6	14.5	13.8	13.8	13.1	13.0	12.3	12.2	11.4	11.3	42
44	13.3	13.3	12.7	12.7	12.0	12.0	11.1	11.1	10.3	10.3	44

- The rated loads are determined according to EN13000 rating on the condition that the machine is stationed on firm, level ground.
- The figures surrounded by bold lines are based on factors other than those which would cause a tipping condition.
- To calculate the maximum load that can actually be lifted, deduct weight of all lifting accessories, such as boom hook and jib hook, from figures shown above. However, work cannot be undertaken where the range falls below 0.9 ton after the weight is deducted.
- Working radius is the horizontal distance from the slewing center to the center of gravity of a lifted load.
- The offset angle shown are of jib boom offset angle against the main boom, under load.
- The counter weight is 124.3 ton. (Superstructure 100.2 ton + lower weight 24.1 ton)
- Figures described as OOM x OOt in the tables indicate "working radius" m x "rated load" ton.
- Be sure to fully extend the crawler before operating the machine.
- Correlation between the number of reeved lines, maximum rated loads, hook weights are shown in the table below.

Hook Capacity (t)	Hook Weight (t)	Maximum Rated Loads (t)								
		8 falls	7 falls	6 falls	5 falls	4 falls	3 falls	2 falls	1 fall	
145	3.3 / 2.7 / 2.35	108.0	94.5	81.0	67.5	54.0	40.5	27.0	-	
80	2.0	-	-	80.0	67.5	54.0	40.5	27.0	-	
35	1.4	-	-	-	-	-	35.0	27.0	-	
27	0.9	-	-	-	-	-	-	27.0	-	
13.5	0.6	-	-	-	-	-	-	-	13.5	

■ Main Boom with Crane Jib



Unit: ton											
Boom Length (m)	51.80										Boom Length (m)
Jib Length (m)	12.20		18.30		24.40		30.50		36.55		Jib Length (m)
Offset Angle(°)	10	30	10	30	10	30	10	30	10	30	Offset Angle(°)
Working Radius (m)											Working Radius (m)
9.8	89.3	89.0	88.3	88.0	87.1	86.6	85.9	85.1	84.5	83.5	9.8
10	89.1	88.9	88.1	87.8	87.0	86.5	85.7	85.0	84.3	83.4	10
12	81.3	80.8	80.3	79.4	79.1	77.8	77.9	76.0	76.6	74.1	12
14	68.5	68.0	67.5	66.8	66.4	65.3	65.3	63.7	64.0	61.9	14
16	58.7	58.4	57.8	57.2	56.7	55.8	55.6	54.3	54.4	52.7	16
18	51.2	50.8	50.2	49.7	49.2	48.4	48.0	47.0	46.9	45.4	18
20	45.0	44.7	44.0	43.6	43.0	42.4	42.0	41.0	40.8	39.5	20
22	40.0	39.7	39.0	38.7	38.0	37.5	37.0	36.2	35.9	34.8	22
24	35.5	35.3	34.7	34.4	33.9	33.4	32.8	32.1	31.7	30.8	24
26	31.5	31.2	30.7	30.3	29.8	29.3	28.9	28.2	28.0	27.1	26
28	28.1	27.8	27.3	27.0	26.5	26.1	25.6	25.0	24.6	23.8	28
30	25.2	25.0	24.4	24.2	23.6	23.2	22.7	22.2	21.7	21.1	30
32	22.7	22.5	21.9	21.7	21.1	20.8	20.2	19.8	19.3	18.7	32
34	20.5	20.4	19.7	19.6	19.0	18.7	18.1	17.7	17.2	16.7	34
36	18.6	18.5	17.8	17.7	17.1	16.9	16.2	16.0	15.3	15.0	36
38	17.0	16.8	16.2	16.1	15.5	15.3	14.6	14.4	13.7	13.5	38
40	15.5	15.4	14.8	14.6	14.0	13.8	13.2	13.0	12.3	12.1	40
42	14.1	14.1	13.5	13.4	12.7	12.6	11.9	11.8	11.1	10.9	42
44	13.0	13.0	12.3	12.3	11.6	11.5	10.8	10.7	9.9	9.8	44
46	12.0	12.0	11.3	11.3	10.6	10.6	9.8	9.8	9.0	8.9	46
48	46.6m x	46.6m x	46.6m x	46.6m x	46.6m x	46.6m x	46.6m x	46.6m x	46.6m x	46.6m x	48
49.2	11.6t	11.6t	11.0t	11.0t	10.3t	10.3t	9.5t	9.5t	8.6t	8.6t	49.2

Unit: ton											
Boom Length (m)	54.85										Boom Length (m)
Jib Length (m)	12.20		18.30		24.40		30.50		36.55		Jib Length (m)
Offset Angle(°)	10	30	10	30	10	30	10	30	10	30	Offset Angle(°)
Working Radius (m)											Working Radius (m)
9.8	10.2m x	10.2m x	10.2m x	10.2m x	10.2m x	10.2m x	10.2m x	10.2m x	10.2m x	10.2m x	9.8
10	79.0t	78.9t	78.0t	77.7t	76.9t	76.4t	75.6t	75.0t	74.3t	73.4t	10
12	78.0	77.8	77.0	76.7	75.9	75.5	74.6	74.0	73.3	72.5	12
14	67.1	66.6	66.1	65.4	65.0	63.9	63.9	62.3	62.7	60.6	14
16	57.6	57.2	56.7	56.0	55.7	54.7	54.5	53.2	53.3	51.5	16
18	50.2	49.8	49.2	48.7	48.2	47.4	47.1	46.0	46.0	44.5	18
20	44.2	43.9	43.2	42.7	42.2	41.5	41.2	40.2	40.0	38.7	20
22	39.2	38.9	38.3	37.9	37.3	36.7	36.2	35.4	35.2	34.0	22
24	35.0	34.8	34.2	33.7	33.2	32.7	32.2	31.5	31.1	30.1	24
26	31.2	31.1	30.5	30.1	29.7	29.2	28.7	28.1	27.6	26.7	26
28	27.8	27.7	27.1	26.7	26.2	25.8	25.3	24.7	24.4	23.6	28
30	24.9	24.7	24.2	23.9	23.3	23.0	22.5	22.0	21.6	20.8	30
32	22.4	22.2	21.7	21.5	20.8	20.6	20.0	19.6	19.1	18.5	32
34	20.2	20.1	19.5	19.3	18.7	18.5	17.8	17.5	17.0	16.5	34
36	18.3	18.2	17.6	17.5	16.8	16.6	16.0	15.7	15.1	14.7	36
38	16.7	16.6	16.0	15.8	15.1	15.0	14.3	14.1	13.5	13.1	38
40	15.1	15.1	14.5	14.3	13.7	13.6	12.9	12.7	12.1	11.8	40
42	13.8	13.8	13.1	13.1	12.4	12.3	11.6	11.5	10.8	10.6	42
44	12.6	12.6	12.0	11.9	11.3	11.1	10.5	10.3	9.6	9.5	44
46	11.6	11.6	10.9	10.9	10.2	10.1	9.4	9.3	8.6	8.5	46
48	10.6	10.6	10.0	10.0	9.3	9.3	8.5	8.5	7.7	7.6	48
49.2	10.1	10.1	9.5	9.5	8.8	8.8	8.0	8.0	7.2	7.2	49.2

* For notes about the table above, refer to page 24.

■ Main Boom with Crane Jib



Unit: ton

Boom Length (m)	57.90										Boom Length (m)
Jib Length (m)	12.20		18.30		24.40		30.50		36.55		Jib Length (m)
Offset Angle(°)	10	30	10	30	10	30	10	30	10	30	Offset Angle(°)
Working Radius (m)											Working Radius (m)
10.7	73.9	73.6	72.9	72.5	71.8	71.3	70.6	69.9	69.3	68.4	10.7
12	73.1	73.0	72.1	71.9	71.1	70.6	69.9	69.3	68.6	67.8	12
14	65.8	65.3	64.8	64.0	63.7	62.6	62.6	61.0	61.4	59.3	14
16	56.5	56.1	55.6	54.9	54.5	53.6	53.5	52.1	52.2	50.5	16
18	49.2	48.9	48.3	47.7	47.3	46.5	46.2	45.1	45.1	43.6	18
20	43.4	43.0	42.5	42.0	41.5	40.7	40.4	39.4	39.3	38.0	20
22	38.5	38.2	37.6	37.2	36.7	36.0	35.6	34.7	34.5	33.4	22
24	34.4	34.2	33.5	33.2	32.6	32.0	31.6	30.8	30.5	29.5	24
26	30.9	30.7	30.1	29.7	29.2	28.7	28.2	27.5	27.1	26.2	26
28	27.7	27.5	26.9	26.6	26.1	25.7	25.2	24.6	24.2	23.4	28
30	24.7	24.6	24.0	23.7	23.2	22.8	22.3	21.8	21.5	20.7	30
32	22.2	22.1	21.5	21.2	20.7	20.4	19.9	19.4	19.0	18.3	32
34	20.1	20.0	19.3	19.2	18.6	18.2	17.7	17.3	16.8	16.3	34
36	18.2	18.1	17.5	17.3	16.7	16.5	15.8	15.5	15.0	14.6	36
38	16.5	16.4	15.8	15.6	15.1	14.8	14.2	14.0	13.3	13.0	38
40	15.0	14.9	14.3	14.2	13.6	13.4	12.8	12.5	11.9	11.6	40
42	13.6	13.6	13.0	12.9	12.3	12.1	11.5	11.3	10.6	10.3	42
44	12.5	12.5	11.8	11.8	11.1	11.0	10.3	10.1	9.5	9.3	44
46	11.4	11.3	10.8	10.7	10.1	10.0	9.3	9.1	8.5	8.3	46
48	10.5	10.4	9.8	9.8	9.1	9.1	8.3	8.3	7.5	7.5	48
50	9.6	9.6	9.0	8.9	8.3	8.2	7.5	7.5	6.7	6.6	50
52	51.9m x 8.8t	51.9m x 8.8t	51.9m x 8.2t	51.9m x 8.2t	51.9m x 7.5t	51.9m x 7.5t	51.9m x 6.8t	51.9m x 6.8t	51.9m x 6.0t	51.9m x 6.0t	52
54											54

Unit: ton

Boom Length (m)	60.95										Boom Length (m)
Jib Length (m)	12.20		18.30		24.40		30.50		36.55		Jib Length (m)
Offset Angle(°)	10	30	10	30	10	30	10	30	10	30	Offset Angle(°)
Working Radius (m)											Working Radius (m)
10.7	11.1m x 64.9t	11.1m x 64.8t	11.1m x 64.0t	11.1m x 63.6t	11.1m x 62.9t	11.1m x 62.5t	11.1m x 61.8t	11.1m x 61.0t	11.1m x 60.5t	11.1m x 59.5t	10.7
12	64.5	64.3	63.5	63.3	62.5	62.0	61.4	60.7	60.1	59.2	12
14	63.4	63.2	62.4	62.1	61.4	61.0	60.3	59.7	59.0	58.2	14
16	55.8	55.4	55.0	54.3	54.0	53.1	53.0	51.8	52.0	50.4	16
18	48.7	48.3	47.8	47.3	46.9	46.2	46.0	44.9	44.9	43.5	18
20	42.9	42.5	42.0	41.5	41.2	40.5	40.2	39.2	39.2	38.0	20
22	38.0	37.8	37.2	36.9	36.4	35.8	35.5	34.7	34.5	33.4	22
24	34.0	33.8	33.2	32.9	32.4	31.8	31.5	30.7	30.5	29.6	24
26	30.6	30.4	29.8	29.5	29.0	28.5	28.1	27.5	27.1	26.2	26
28	27.7	27.5	26.9	26.6	26.1	25.7	25.2	24.6	24.2	23.5	28
30	24.7	24.6	24.1	23.8	23.3	23.0	22.6	22.0	21.7	21.0	30
32	22.2	22.1	21.6	21.3	20.8	20.5	20.1	19.6	19.2	18.6	32
34	20.1	19.9	19.4	19.2	18.7	18.3	17.9	17.5	17.1	16.5	34
36	18.2	18.0	17.5	17.3	16.7	16.5	16.0	15.6	15.2	14.7	36
38	16.5	16.3	15.8	15.6	15.1	14.8	14.3	14.0	13.6	13.1	38
40	15.0	14.8	14.3	14.1	13.6	13.4	12.8	12.6	12.1	11.7	40
42	13.6	13.5	13.0	12.8	12.3	12.1	11.5	11.3	10.8	10.4	42
44	12.4	12.3	11.8	11.6	11.1	10.9	10.3	10.1	9.6	9.3	44
46	11.3	11.3	10.6	10.6	10.0	9.8	9.3	9.1	8.5	8.3	46
48	10.3	10.3	9.7	9.6	9.0	8.9	8.3	8.1	7.5	7.4	48
50	9.4	9.3	8.8	8.8	8.1	8.1	7.4	7.3	6.6	6.5	50
52	8.6	8.6	8.0	8.0	7.3	7.3	6.6	6.5	5.9	5.8	52
54	7.9	7.9	7.3	7.2	6.6	6.5	5.9	5.9	5.1	5.1	54
54.5	7.6	7.6	7.0	7.0	6.4	6.4	5.7	5.7	5.0	5.0	54.5

* For notes about the table above, refer to page 24.

■ Main Boom with Crane Jib



Unit: ton

Boom Length (m)	64.00										Boom Length (m)
Jib Length (m)	12.20		18.30		24.40		30.50		36.55		Jib Length (m)
Offset Angle(°)	10	30	10	30	10	30	10	30	10	30	Offset Angle(°)
Working Radius (m)											Working Radius (m)
11.6	60.8	60.6	59.9	59.6	58.9	58.4	57.8	57.1	56.5	55.6	11.6
12	60.6	60.5	59.7	59.4	58.7	58.2	57.6	56.9	56.4	55.5	12
14	59.7	59.5	58.9	58.5	57.9	57.4	56.7	56.2	55.5	54.7	14
16	54.5	54.2	53.7	53.1	52.8	51.9	51.9	50.6	50.8	49.2	16
18	47.6	47.2	46.7	46.2	45.9	45.1	45.0	43.9	43.9	42.5	18
20	41.9	41.6	41.1	40.7	40.2	39.5	39.3	38.4	38.3	37.0	20
22	37.2	37.0	36.4	36.0	35.5	35.0	34.7	33.8	33.7	32.5	22
24	33.2	33.0	32.5	32.1	31.7	31.1	30.7	30.0	29.7	28.8	24
26	29.8	29.7	29.1	28.7	28.2	27.8	27.4	26.7	26.5	25.6	26
28	27.0	26.7	26.2	25.9	25.3	25.0	24.5	23.9	23.6	22.8	28
30	24.4	24.2	23.7	23.4	22.8	22.5	22.0	21.5	21.1	20.3	30
32	22.0	21.7	21.2	21.0	20.6	20.2	19.7	19.2	18.8	18.2	32
34	19.7	19.6	19.1	18.8	18.3	18.1	17.6	17.2	16.8	16.2	34
36	17.8	17.7	17.2	17.0	16.5	16.2	15.7	15.3	14.9	14.4	36
38	16.1	16.0	15.5	15.3	14.8	14.5	14.1	13.7	13.3	12.8	38
40	14.6	14.5	14.0	13.8	13.3	13.1	12.6	12.3	11.8	11.3	40
42	13.3	13.1	12.6	12.5	12.0	11.8	11.2	11.0	10.5	10.1	42
44	12.1	12.0	11.4	11.3	10.8	10.6	10.0	9.8	9.3	9.0	44
46	11.0	10.9	10.3	10.2	9.6	9.5	9.0	8.8	8.2	7.9	46
48	10.0	9.9	9.3	9.3	8.7	8.6	8.0	7.8	7.2	7.0	48
50	9.1	9.0	8.5	8.3	7.8	7.7	7.1	7.0	6.4	6.1	50
52	8.3	8.2	7.6	7.5	7.0	6.9	6.3	6.1	5.5	5.4	52
54	7.5	7.5	6.9	6.9	6.3	6.2	5.5	5.5	4.8	4.7	54
56	6.8	6.8	6.2	6.2	5.5	5.5	4.9	4.9	4.1	4.1	56
58	57.2m x 6.5t	57.2m x 6.4t	57.2m x 5.9t	57.2m x 5.8t	57.2m x 5.2t	57.2m x 5.1t	57.2m x 4.5t	57.2m x 4.5t	57.2m x 3.8t	57.2m x 3.7t	58
59.8											59.8

Unit: ton

Boom Length (m)	67.05										Boom Length (m)
Jib Length (m)	12.20		18.30		24.40		30.50		36.55		Jib Length (m)
Offset Angle(°)	10	30	10	30	10	30	10	30	10	30	Offset Angle(°)
Working Radius (m)											Working Radius (m)
12	54.7	54.1	53.8	53.0	52.4	51.9	51.1	50.5	50.0	49.1	12
14	53.5	53.3	52.5	52.2	51.6	51.1	50.5	49.9	49.3	48.5	14
16	52.2	52.0	51.2	48.1	50.2	49.9	49.2	48.6	48.0	47.2	16
18	46.2	45.8	45.2	44.7	44.3	43.5	43.3	42.1	42.2	40.7	18
20	40.6	40.2	39.7	39.2	38.8	38.0	37.8	36.7	36.7	35.4	20
22	36.0	35.7	35.1	34.7	34.2	33.5	33.2	32.3	32.2	31.0	22
24	32.0	31.8	31.2	30.8	30.3	29.7	29.3	28.6	28.3	27.3	24
26	28.7	28.6	27.9	27.6	27.1	26.5	26.1	25.3	25.1	24.2	26
28	25.8	25.7	25.1	24.7	24.2	23.7	23.2	22.6	22.2	21.4	28
30	23.3	23.2	22.6	22.3	21.7	21.3	20.7	20.2	19.8	19.1	30
32	21.2	21.0	20.3	20.1	19.5	19.2	18.6	18.1	17.6	17.0	32
34	19.1	19.0	18.4	18.2	17.6	17.2	16.7	16.2	15.7	15.1	34
36	17.2	17.1	16.5	16.3	15.8	15.5	15.0	14.6	14.0	13.5	36
38	15.5	15.4	14.8	14.6	14.1	13.8	13.3	13.0	12.5	12.0	38
40	14.0	13.9	13.3	13.1	12.6	12.3	11.8	11.5	11.0	10.6	40
42	12.6	12.6	12.0	11.8	11.3	11.1	10.5	10.2	9.7	9.3	42
44	11.5	11.3	10.8	10.6	10.1	9.9	9.3	9.1	8.5	8.2	44
46	10.3	10.3	9.7	9.6	9.0	8.8	8.3	8.1	7.5	7.2	46
48	9.3	9.3	8.7	8.6	8.0	7.9	7.3	7.1	6.5	6.3	48
50	8.5	8.4	7.9	7.8	7.1	7.0	6.4	6.3	5.6	5.5	50
52	7.6	7.6	7.0	7.0	6.4	6.3	5.6	5.5	4.9	4.7	52
54	6.9	6.9	6.3	6.3	5.6	5.5	4.9	4.8	4.1	4.0	54
56	6.3	6.2	5.6	5.6	5.0	4.9	4.3	4.2	3.5	3.5	56
58	5.6	5.6	5.0	5.0	4.4	4.4	3.7	3.7	2.9	2.9	58
59.8	5.1	5.1	4.5	4.5	3.9	3.9	3.2	3.2			59.8

* For notes about the table above, refer to page 24.

■ Main Boom with Crane Jib

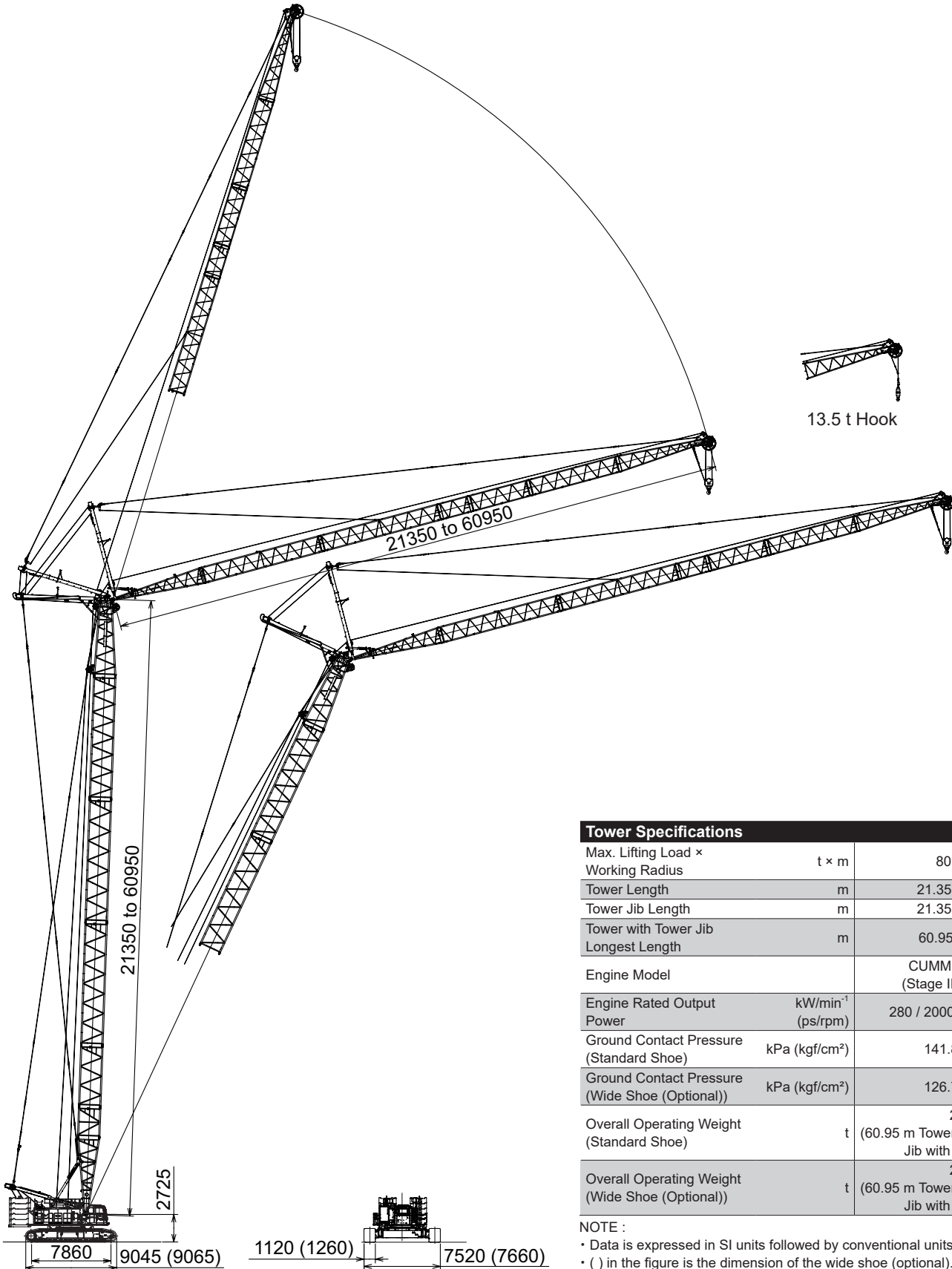


Unit: ton											
Boom Length (m)	70.10										Boom Length (m)
Jib Length (m)	12.20		18.30		24.40		30.50		36.55		Jib Length (m)
Offset Angle(°)	10	30	10	30	10	30	10	30	10	30	Offset Angle(°)
Working Radius (m)											Working Radius (m)
12.5	49.6	49.4	48.7	48.4	47.7	47.2	46.9	46.1	45.5	44.6	12.5
14	49.0	48.8	48.1	47.8	47.2	46.7	46.2	45.5	45.0	44.0	14
16	48.0	47.7	47.1	46.8	46.2	45.7	45.2	44.5	44.0	43.2	16
18	45.4	45.2	44.7	44.0	43.7	42.9	42.7	41.5	41.6	40.0	18
20	40.0	39.7	39.2	38.7	38.3	37.5	37.3	36.2	36.2	34.9	20
22	35.5	35.2	34.7	34.2	33.8	33.1	32.8	31.9	31.8	30.6	22
24	31.7	31.5	30.9	30.5	30.0	29.4	29.1	28.2	28.0	27.0	24
26	28.5	28.2	27.6	27.2	26.7	26.2	25.8	25.1	24.8	23.8	26
28	25.6	25.4	24.8	24.5	23.9	23.5	23.0	22.3	22.0	21.2	28
30	23.1	23.0	22.3	22.1	21.5	21.1	20.6	20.0	19.6	18.8	30
32	21.0	20.8	20.2	19.9	19.3	19.0	18.4	17.9	17.5	16.7	32
34	19.0	18.8	18.2	18.0	17.4	17.1	16.5	16.1	15.6	15.0	34
36	17.2	17.1	16.5	16.3	15.7	15.4	14.8	14.4	13.8	13.3	36
38	15.5	15.3	14.8	14.6	14.1	13.8	13.3	12.9	12.3	11.9	38
40	14.0	13.9	13.3	13.1	12.6	12.3	11.8	11.5	11.0	10.6	40
42	12.6	12.6	12.0	11.8	11.3	11.1	10.5	10.2	9.7	9.3	42
44	11.4	11.3	10.8	10.6	10.1	9.8	9.3	9.1	8.5	8.1	44
46	10.3	10.3	9.6	9.6	9.0	8.8	8.3	8.0	7.5	7.1	46
48	9.3	9.3	8.7	8.6	8.0	7.9	7.3	7.0	6.5	6.3	48
50	8.4	8.3	7.8	7.7	7.1	7.0	6.4	6.2	5.6	5.4	50
52	7.6	7.5	7.0	6.9	6.3	6.2	5.5	5.5	4.8	4.6	52
54	6.9	6.8	6.2	6.1	5.5	5.5	4.9	4.8	4.1	4.0	54
56	6.1	6.1	5.5	5.5	4.9	4.8	4.1	4.1	3.5	3.4	56
58	5.5	5.5	4.9	4.9	4.3	4.2	3.5	3.5	57.7mx 2.9t	57.4mx 2.9t	58
60	5.0	5.0	4.4	4.3	3.7	3.7	3.0	3.0			60
62.4	4.3	4.3	3.7	3.7	3.0	3.1	60.4m x 2.9t	60.4m x 2.9t			62.4

* For notes about the table above, refer to page 24.

Tower Specifications

Dimensions and Specifications



Tower Specifications

Max. Lifting Load × Working Radius	t × m	80 × 9.3
Tower Length	m	21.35 to 60.95
Tower Jib Length	m	21.35 to 60.95
Tower with Tower Jib Longest Length	m	60.95 + 60.95
Engine Model		CUMMINS QSL9 (Stage III A / Tier 3)
Engine Rated Output Power	kW/min ⁻¹ (ps/rpm)	280 / 2000 (375 / 2000)
Ground Contact Pressure (Standard Shoe)	kPa (kgf/cm ²)	141.8 (1.45)
Ground Contact Pressure (Wide Shoe (Optional))	kPa (kgf/cm ²)	126.7 (1.29)
Overall Operating Weight (Standard Shoe)	t	255 (60.95 m Tower + 60.95 m Tower Jib with 80 t Hook)
Overall Operating Weight (Wide Shoe (Optional))	t	256 (60.95 m Tower + 60.95 m Tower Jib with 80 t Hook)

NOTE :

- Data is expressed in SI units followed by conventional units in ().
- () in the figure is the dimension of the wide shoe (optional).

Tower Standard Configurations

Tower Boom (1/3)	
Tower Boom Length (m)	Tower Boom Configurations
21.35	
24.40	
27.45	
30.50	
33.50	

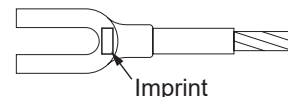
Tower Boom (2/3)	
Tower Boom Length (m)	Tower Boom Configurations
36.55	
39.60	
42.65	
45.70	
48.75	

Tower Boom (3/3)	
Tower Boom Length (m)	Tower Boom Configurations
51.80	
54.85	
57.90	
60.95	

Determine the jib pendant rope from the rope caulk mark.

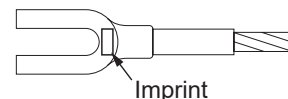
Dimensions Not Shown In The Figure		
Symbols	Boom Length (m)	Note
B	7.62	Tower Boom Base
T	7.62	Tower Boom Top (7.30 m) + Tower Top Head (0.32 m)
3H	3.05	Heavy Tower Boom Insert
6H	6.10	Heavy Tower Boom Insert
12H	12.20	Heavy Tower Boom Insert
12	12.20	Tower Boom Insert

Tower Boom Pendant Rope			
Symbols	Length (m)	Rope Diameter (mm)	Imprint
1	1.24	35.5	□ • △ • 35.5 • 1.240
3	3.05	35.5	□ • △ • 35.5 • 3.050
3.2	3.20	54.0	□ • △ • 54 • 3.200
6	6.10	35.5	□ • △ • 35.5 • 6.100
7	6.78	35.5	□ • △ • 35.5 • 6.780
12	12.20	35.5	□ • △ • 35.5 • 12.200



Dimensions Not Shown In The Figure		
Symbols	Length (m)	Note
L	1.46	1.25 m (Link) + 0.21 (Spreader Bar)

Tower Jib Pendant Rope (Tower Side)			
Symbols	Length (m)	Rope Diameter (mm)	Imprint
3	3.05	40	□ • △ • 40 • 3.048
3.4	3.49	40	□ • △ • 40 • 3.485
3.7	3.74	40	□ • △ • 40 • 3.735
6	6.10	40	□ • △ • 40 • 6.096
12	12.20	40	□ • △ • 40 • 12.192



Combination of Tower Boom and Tower Jib														
Tower Jib Length (m)	21.35	24.40	27.40	30.50	33.50	36.60	39.60	42.65	45.70	48.75	51.80	54.85	57.90	60.95
Tower Boom Length (m)	21.35	○	○	○	○	○	○	○	○	○	○	○	○	○
	24.40	○	○	○	○	○	○	○	○	○	○	○	○	○
	27.45	○	○	○	○	○	○	○	○	○	○	○	○	○
	30.50	○	○	○	○	○	○	○	○	○	○	○	○	○
	33.50	○	○	○	○	○	○	○	○	○	○	○	○	○
	36.55	○	○	○	○	○	○	○	○	○	○	○	○	○
	39.60	○	○	○	○	○	○	○	○	○	○	○	○	○
	42.65	○	○	○	○	○	○	○	○	○	○	○	○	○
	45.70	○	○	○	○	○	○	○	○	○	○	○	○	○
	48.75	○	○	○	○	○	○	○	○	○	○	○	○	○
	51.80	○	○	○	○	○	○	○	○	○	○	○	○	○
	54.85	×	○	○	○	○	○	○	○	○	○	○	○	○
	57.90	×	×	○	○	○	○	○	○	○	○	○	○	○
	60.95	×	×	×	○	○	○	○	○	○	○	○	○	○

The symbol in the table is as follows. ○ : Attachable at 88 to 65° ○ : Attachable at 88 to 75° × : Not Attachable

Tower Jib (1/2)

Tower Jib Length (m)	Tower Jib Configurations
21.35	
24.40	
27.40	
30.50	
33.50	
36.55	
39.60	
42.65	

Tower Jib (2/2)

Tower Jib Length (m)	Tower Jib Configurations
45.70	
48.75	
51.80	
54.85	
57.90	
60.95	

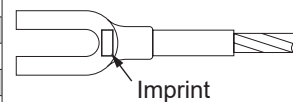
Determine the jib pendant rope from the rope caulk mark.

Dimensions Not Shown In The Figure

Symbols	Jib Length (m)	Note
B	9.15	Tower Jib Base
3	3.05	Tower Jib Insert
6	6.10	Tower Jib Insert
9	9.15	Tower Jib Insert
12H	12.20	Tower Jib Insert
T	9.15	Tower Jib Top

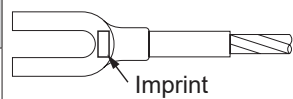
Tower Jib Pendant Rope (Jib Side)

Symbols	Length (m)	Rope Diameter (mm)	Imprint
3	3.05	40	□ • △ • 40 • 3.048
6	6.10	40	□ • △ • 40 • 6.096
8	7.99	40	□ • △ • 40 • 7.990
8T	8.25	40	□ • △ • 40 • 8.250
9	9.14	40	□ • △ • 40 • 9.144
12	12.20	40	□ • △ • 40 • 12.192



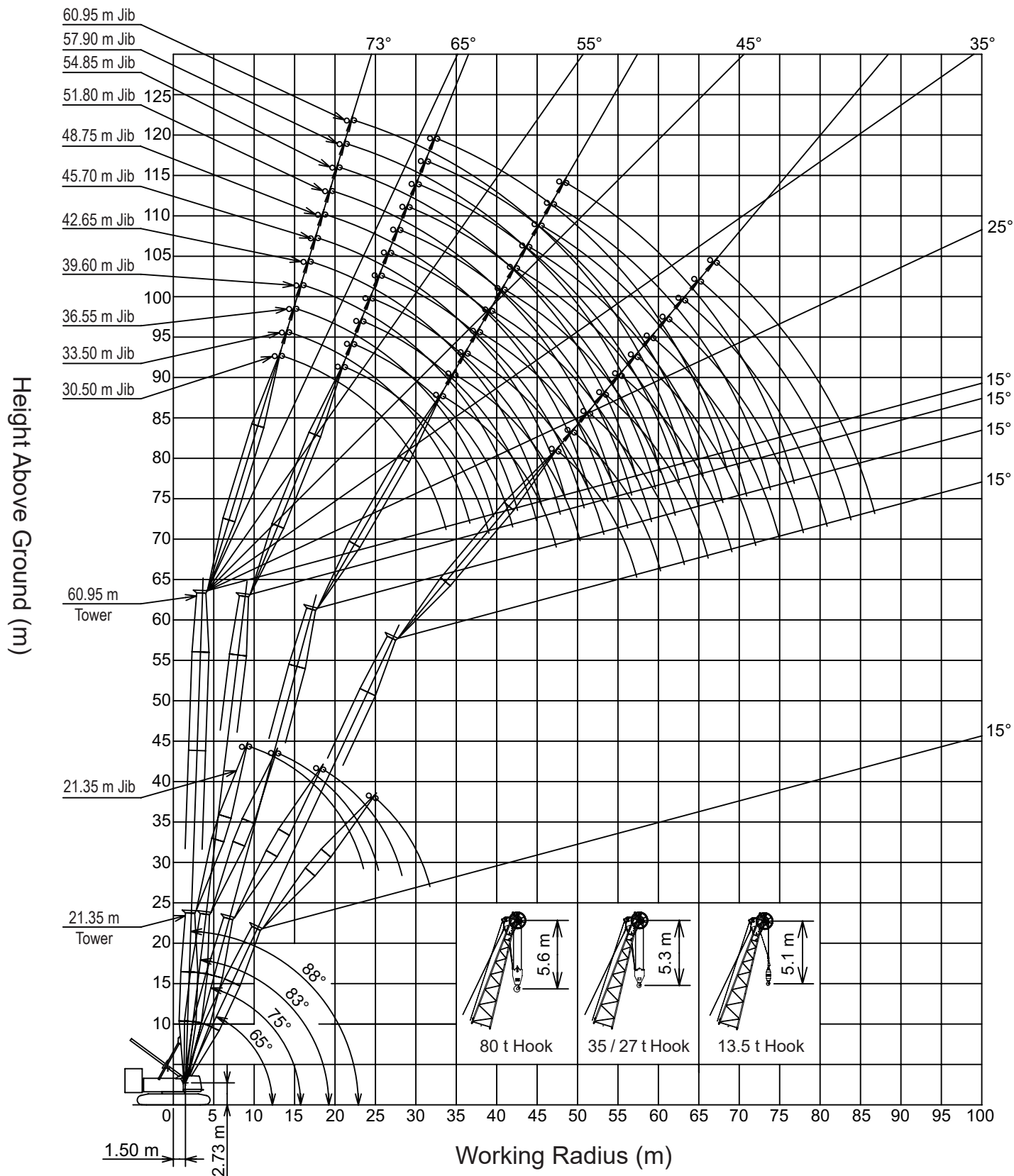
Extension Pendant Rope (Jib Side)

Symbols	Length (m)	Rope Diameter (mm)	Imprint
14	13.68	30	□ • △ • 40 • 13.680

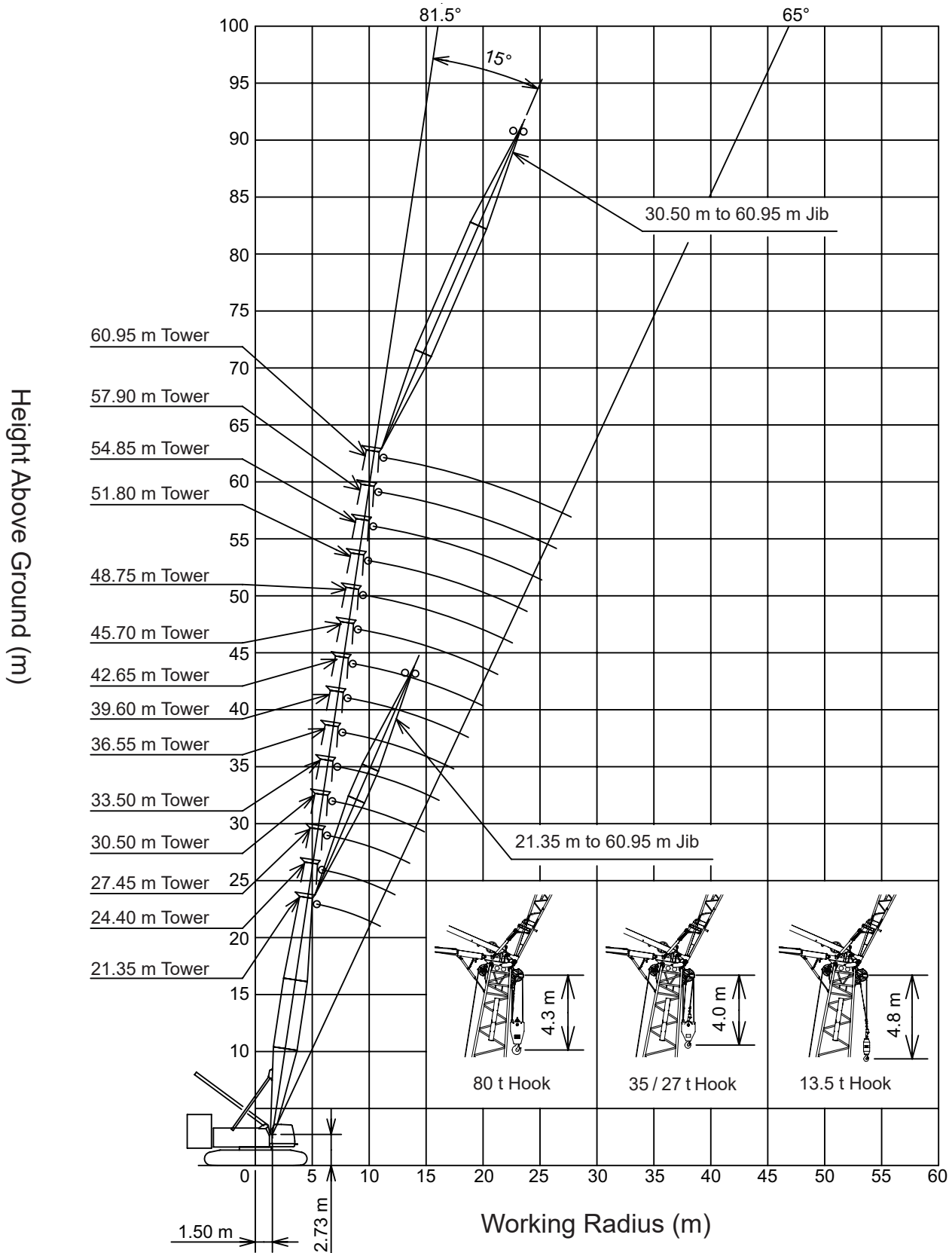


Working Ranges

■ Tower Boom



■ Tower Head Hoisting



Gross Rated Load Table

■ Tower 21.35 m



Unit: ton

Tower Length (m)	21.35												Tower Length (m)
Jib Length (m)	21.35				24.40				27.45				Jib Length (m)
Tower Angle (°) Working Radius (m)	88	83	75	65	88	83	75	65	88	83	75	65	Tower Angle (°) Working Radius (m)
9	9.4m x 80.0t				10.3m x 72.3t				11.2m x 63.0t				9
10	79.8	13.0m x 77.3t			69.1	14.2m x 72.3t			61.7	15.3m x 63.0t			10
12	75.6	77.3t			66.4	67.7t			59.3	59.1t			12
14	71.3	75.2			59.5	65.2			57.5	58.2			14
16	59.6	67.2	18.6m x 57.5t		51.0	58.8			50.8	56.3			16
18	51.1	58.9	57.5t		44.5	50.5	20.1m x 53.1t		44.3	50.3	21.6m x 48.2t		18
20	44.6	50.6	53.3		39.4	44.1	47.2		39.2	43.9	47.1		20
22	39.5	44.2	47.4	25.1m x 38.4t	35.3	39.1	42.4	27.0m x 35.0t	35.1	38.9	42.2		22
24	23.5m x 36.3t	39.2	42.5	38.4	31.9	35.0	38.3	35.0t	31.7	34.8	38.2	29.0m x 31.7t	24
26	36.3t	25.3m x 36.5t	38.4	36.8	31.9	35.0	38.3	35.0t	31.7	34.8	38.2	29.0m x 31.7t	26
28		36.5t	35.0	33.5	26.4m x 31.3t	31.7	35.0	33.4	28.9	31.5	34.8	31.7t	28
30			28.2m x 30.8	30.8	31.3t	28.3m x 31.2t	32.1	30.7	29.4m x 27.2t	28.7	31.9	30.5	30
32			34.8t	31.7m x 28.5t		31.2t	31.2m x 30.6t	28.3	27.2t	31.2m x 27.3t	29.5	28.1	32
34				28.5t			30.6t	26.3			27.3	26.1	34
36								34.6m x 25.7t			34.1m x 27.2t	24.3	36
38												37.6m x 23.0t	38
40													40
No. of Part Line	6	6	6	6	6	6	6	6	5	5	5	5	No. of Part Line

- The rated loads are determined according to EN13000 rating on the condition that the machine is stationed on firm, level ground.
- Working radius is the horizontal distance from the slewing center to the center of gravity of a lifted load.
- The figures surrounded by bold lines are based on factors other than those which would cause a tipping condition.
- Operation must be very careful when using luffing jib hook, while boom head hoist hook is suspended because boom head hoist hook is possible to hit the boom.
- A deduction must be made from the luffing jib rated loads for the weight of the following:
Luffing jib hook block + boom head hoist hook block, slings, spreader bar, or other suspended gear etc.
- A deduction must be made from the boom head rated loads for the weight of the following:
Luffing jib hook block + boom head hoist hook block, slings, spreader bar, or other suspended gear etc.
- The permissible instantaneous wind speed is 10 m/s.
- Do not lift or suspend a load from the luffing jib hook and boom head hoist hook at the same time.
- The counter weight is 124.3 ton. (Superstructure 100.2 ton + lower weight 24.1 ton)
- Figures described as OOm x OOt in the tables indicate "working radius" m x "rated load" ton.
- Correlation between the number of reeved lines, maximum rated loads, hook weights are shown in the table below.

Hook Capacity (t)	Hook Weight (t)	Maximum Rated Loads (t)					
		6 falls	5 falls	4 falls	3 falls	2 falls	1 fall
80	2.0	80	67.5	54	40.5	27	-
35	1.4	-	-	-	35	27	-
13.5	0.6	-	-	-	-	-	13.5

■ Tower 21.35 m



Unit: ton

Tower Length (m)	21.35												Tower Length (m)
Jib Length (m)	30.50				33.50				36.55				Jib Length (m)
Tower Angle (°)	88	83	75	65	88	83	75	65	88	83	75	65	Tower Angle (°)
Working Radius (m)													Working Radius (m)
10	12.1m x				13.0m x				13.9m x				10
12	67.7t				56.8t				48.8t				12
14	65.2	16.5m x			55.8	17.6m x			48.7				14
16	59.6	56.6t			52.9	53.5t			47.0	18.7m x			16
18	51.0	54.2			50.1	53.5			45.7	46.3t			18
20	44.5	48.3	23.2m x		44.7	48.2			43.1	44.2			20
22	39.3	42.7	43.9t		39.5	42.7	24.7m x		39.4	41.6			22
24	35.2	38.3	42.1		35.3	38.2	40.5t		35.2	37.7	26.2m x		24
26	31.7	34.6	38.1		31.9	34.6	38.1		31.7	34.5	37.7t		26
28	28.9	31.5	34.7	30.9m x	29.0	31.6	34.7		28.8	31.5	34.6		28
30	26.4	28.6	31.9	29.3t	26.5	28.8	31.8	32.9m x	26.4	28.6	31.7		30
32	24.4	26.2	29.4	28.0	24.4	26.3	29.4	27.1t	24.2	26.2	29.2	34.9m x	32
34	32.3m x	23.8	27.3	26.0	22.6	24.2	27.2	25.9	22.4	24.1	27.1	24.9t	34
36	24.1t	34.2m x	25.1	24.2	35.3m x	21.8	25.1	24.1	20.8	22.3	25.0	24.0	36
38		23.6t	37.1m x	22.6	21.4t	37.1m x	23.2	22.5	19.4	20.6	23.1	22.4	38
40			24.1t	21.2		20.7t	21.5	21.1	38.2m x	18.6	21.4	21.0	40
42				40.5m x				19.8	19.2t		19.9	19.7	42
44				20.8t				43.5m x			43.0m x	18.6	44
46								19.0t			19.9t	17.5	46
48												46.4m x	48
50												17.4t	50
No. of Part Line	6	6	6	6	5	5	5	5	4	4	4	4	No. of Part Line

Tower Length (m)	21.35												Tower Length (m)
Jib Length (m)	39.60				42.65				45.70				Jib Length (m)
Tower Angle (°)	88	83	75	65	88	83	75	65	88	83	75	65	Tower Angle (°)
Working Radius (m)													Working Radius (m)
12	14.8m x				15.7m x				16.6m x				12
14	41.1t				36.5t				30.8t				14
16	40.4	19.9m x			36.3				30.1				16
18	39.4	39.0t			35.1	21.0m x			29.2	22.2m x			18
20	38.3	39.0			34.1	34.0t			29.2	28.5t			20
22	37.5	37.9			33.3	33.7			28.5	28.5t			22
24	35.5	37.0	27.7m x		32.7	32.6			27.9	28.0			24
26	32.0	34.4	35.1t		31.7	31.8	29.3m x		27.4	27.5			26
28	29.0	31.4	34.6		28.8	30.4	30.9t		27.1	27.0	30.8m x		28
30	26.5	28.8	31.7		26.3	27.6	30.7		26.6	26.4	26.0t		30
32	24.4	26.3	29.3		24.2	25.9	29.1		24.4	25.6	25.7		32
34	22.5	24.2	27.1	36.8m x	22.3	24.0	26.9		22.5	23.9	25.2		34
36	20.9	22.4	25.1	23.3t	20.7	22.2	24.9	38.8m x	20.9	22.4	24.8		36
38	19.4	20.8	23.2	22.3	19.2	20.5	23.0	21.5t	19.4	20.7	23.2	40.7m x	38
40	18.2	19.3	21.5	20.9	17.9	19.1	21.2	20.7	18.1	19.3	21.5	20.3t	40
42	41.1m x	17.6	20.0	19.6	16.8	17.8	19.7	19.4	16.9	18.0	19.9	19.4	42
44	17.5t	43.0m x	18.6	18.5	15.8	16.6	18.4	18.3	15.8	16.8	18.5	18.3	44
46		16.9t	45.9m x	17.5	44.1m x	45.9m x	17.2	17.2	14.9	15.8	17.3	17.2	46
48			17.5t	16.5	15.7t	15.1t	16.1	16.3	47.0m x	14.5	16.2	16.3	48
50				49.4m x			48.8m x	15.4	14.4t	48.9m x	15.2	15.4	50
52				15.9t			15.8t	14.7		13.6t	51.8m x	14.6	52
54								52.3m x			14.4t	13.9	54
56								14.5t				55.2m x	56
58												13.5t	58
No. of Part Line	4	4	4	4	3	3	3	3	3	3	3	3	No. of Part Line

* For notes about the table above, refer to page 34.

■ Tower 21.35 m



Unit: ton

Tower Length (m)	21.35												Tower Length (m)
Jib Length (m)	48.75				51.80				54.85				Jib Length (m)
Tower Angle (°)	88	83	75	65	88	83	75	65	88	83	75	65	Tower Angle (°)
Working Radius (m)													Working Radius (m)
14	17.2m x												14
16	27.5t				18.1m x				19.0m x				16
18	27.2				26.2t				23.1t				18
20	26.4	23.0m x			25.4				22.7				20
22	25.7	25.4t			24.6	24.2m x			22.0	25.3m x			22
24	25.1	25.0			24.0	24.0t			21.3	21.0t			24
26	24.6	24.4			23.1	23.4			20.7	20.8			26
28	24.1	23.8	31.9m x		22.6	22.5			20.0	20.2			28
30	23.5	23.4	22.7t		22.2	22.0	33.5m x		19.6	19.5			30
32	23.3	22.9	22.6		21.9	21.6	21.3t		19.3	19.1	35.0m x		32
34	22.4	22.7	22.4		21.6	21.3	21.2		19.0	18.8	18.6t		34
36	20.7	21.6	22.0		20.5	21.1	20.7		18.8	18.5	18.4		36
38	19.3	20.1	21.6		19.1	19.9	20.3		18.6	18.3	17.9		38
40	18.0	18.7	21.4	42.2m x	17.7	18.5	20.0		17.7	18.1	17.6		40
42	16.8	17.4	20.5	18.9t	16.6	17.2	19.6	44.2m x	16.5	17.1	17.3		42
44	15.7	16.3	19.1	18.1	15.5	16.1	18.2	17.6t	15.4	16.0	17.1	46.1m x	44
46	14.8	15.3	17.8	17.1	14.6	15.1	17.0	16.9	14.5	15.0	16.9	16.5t	46
48	13.9	14.4	16.6	16.2	13.7	14.2	15.9	15.9	13.6	14.1	15.8	15.9	48
50	49.3m x	13.5	15.6	15.3	12.9	13.3	14.9	15.1	12.8	13.3	14.8	15.0	50
52	13.3t	51.1m x	14.7	14.5	12.2	12.6	14.0	14.3	12.1	12.5	13.9	14.2	52
54		12.9t	13.8	13.8	52.2m x	11.7	13.2	13.6	11.4	11.8	13.1	13.5	54
56				13.1	12.1t	54.1m x	12.4	12.9	55.2m x	11.2	12.4	12.8	56
58				57.5m x		11.7t	57.0m x	12.3	10.9t	57.0m x	11.7	12.2	58
60				12.6t			12.1t	11.7		10.8t	59.9m x	11.6	60
62								60.4m x			11.1t	11.1	62
64								11.5t				63.4m x	64
66												10.7t	66
No. of Part Line	3	3	3	3	2	2	2	2	2	2	2	2	No. of Part Line

Unit: ton

Tower Length (m)	21.35								Tower Length (m)
Jib Length (m)	57.90				60.95				Jib Length (m)
Tower Angle (°)	88	83	75	65	88	83	75	65	Tower Angle (°)
Working Radius (m)									Working Radius (m)
16	19.9m x								16
18	20.2t				20.8m x				18
20	20.1				17.7t				20
22	19.5				17.4				22
24	18.9	26.5m x			16.8	27.6m x			24
26	18.3	18.3t			16.3	16.0t			26
28	17.8	17.9			15.8	15.9			28
30	17.1	17.4			15.3	15.4			30
32	16.1	16.7			14.4	15.0			32
34	15.3	15.8	36.5m x		13.6	14.2			34
36	14.5	14.9	16.1t		12.9	13.5			36
38	13.8	14.2	16.0		12.2	12.8	13.8		38
40	13.1	13.5	15.2		11.6	12.2	13.2		40
42	12.6	12.9	14.4		11.1	11.6	12.5		42
44	12.0	12.3	13.7		10.6	11.0	11.9		44
46	11.6	11.8	13.1	48.1m x	10.1	10.6	11.3		46
48	11.2	11.4	12.5	13.1t	9.7	10.1	10.8	50.1m x	48
50	10.8	11.0	12.0	12.6	9.4	9.7	10.3	11.1t	50
52	10.5	10.6	11.5	12.1	9.1	9.4	9.9	10.7	52
54	10.2	10.4	11.1	11.6	8.8	9.1	9.5	10.2	54
56	10.0	10.1	10.8	11.2	8.6	8.7	9.2	9.8	56
58	9.9	10.0	10.4	10.8	8.4	8.5	8.9	9.4	58
60	58.1m x	9.6	10.2	10.5	8.3	8.3	8.7	9.1	60
62	9.8t		10.0	10.3	61.0m x	8.2	8.5	8.8	62
64			62.9m x	10.0	8.2t	62.9m x	8.3	8.6	64
66			9.7t	9.9		8.2t	65.8m x	8.4	66
68				66.3m x			8.3t	8.3	68
70				9.9t				69.3m x	70
72								8.3t	72
No. of Part Line	2	2	2	2	2	2	2	2	No. of Part Line

* For notes about the table above, refer to page 34.

■ Tower 24.40 m



Unit: ton

Tower Length (m)	24.40												Tower Length (m)	
Jib Length (m)	21.35				24.40				27.45				Jib Length (m)	
Tower Angle (°)	88	83	75	65	88	83	75	65	88	83	75	65	Tower Angle (°)	
Working Radius (m)													Working Radius (m)	
9	9.5m x 79.6t				10.4m x 71.6t				11.3m x 62.4t				9	
10	79.5	13.4m x 76.7t			68.7	14.6m x 66.0	67.1t		61.3	15.7m x 58.9	58.4t		10	
12	75.8	75.4			62.3	65.1			57.1	58.1			12	
14	72.7				53.3	59.7	20.9m x 49.8t		53.1	56.1			14	
16	61.7	67.1	19.4m x 54.4t		46.5	53.7			46.3	53.4			16	
18	52.7	59.7	54.4t		41.1	46.9	46.7		41.0	46.7	45.5t		18	
20	45.9	53.7	52.8		36.8	41.4	41.9		36.7	41.3	41.7		20	
22	40.5	47.0	46.8		33.2	37.1	37.9		33.1	36.9	37.7		22	
24	23.6m x 36.9t	25.7m x 37.8t	38.0	35.4t	32.9	32.9	26.5m x 33.5	34.6	32.4t	30.2	33.3	34.4	30.3m x 29.4t	24
26					32.4t	28.6m x 31.7	30.1	29.5m x 28.3t	31.6m x 29.1	27.0	25.5			26
28					27.9	29.3	27.7	25.7	28.3t	31.6m x 28.7t	27.0	25.5		28
30			29.0m x 30.2	32.4t										30
32			33.1t											32
34				33.0m x 26.7t										34
36								35.9m x 23.9t				34.9m x 26.1t		36
38													38.9m x 22.2t	38
40													21.4t	40
42														42
No. of Part Line	6	6	6	6	6	6	6	6	5	5	5	5	No. of Part Line	

Unit: ton

Tower Length (m)	24.40												Tower Length (m)	
Jib Length (m)	30.50				33.50				36.55				Jib Length (m)	
Tower Angle (°)	88	83	75	65	88	83	75	65	88	83	75	65	Tower Angle (°)	
Working Radius (m)													Working Radius (m)	
10	12.2m x 66.9t				13.1m x 56.2t								10	
12	64.5	16.8m x 56.5t			55.0				48.2				12	
14	60.3				50.2	53.3			46.6	19.1m x 44.7	45.8t		14	
16	53.3	53.8			46.7	48.0			42.9	44.5			16	
18	46.5	49.3			41.3	43.5	25.5m x 38.5t		40.0	40.8			18	
20	41.1	44.1			36.9	39.3	38.5t		36.8	38.6	27.0m x 35.9t		20	
22	36.7	39.1	41.7		33.3	35.3	37.7		33.1	35.1			22	
24	33.2	35.1	37.7		30.3	31.9	34.3		30.1	31.8	34.2		24	
26	30.2	31.8	34.3		27.7	29.1	31.5		27.5	28.9	31.4		26	
28	27.6	29.0	31.5	32.2m x 27.3t	25.3	26.7	29.0	34.2m x 25.3	26.6	28.9			28	
30	25.3	26.6	29.1	23.4	24.6	26.9	25.1t	23.3	24.5	26.8	36.2m x 23.3t		30	
32	32.4m x 24.8t	34.5m x 24.1t	25.1	23.6	35.4m x 22.8	25.0	23.6	21.6	22.6	24.9	23.3t		32	
34			37.9m x 22.1	22.2t	37.5m x 22.2t	23.4	22.0	20.1	21.1	23.3	21.9		34	
36			23.5t	20.7	21.3t	21.9	20.6	38.3m x 19.8t	19.6	21.8	20.5		36	
38				41.8m x 19.5t			40.8m x 21.4t	18.3		40.4m x 19.3t	20.5	19.2		38
40														40
42								44.8m x 17.8t				43.7m x 19.5t	18.1	42
44													17.1	44
46													47.7m x 16.3t	46
48														48
50														50
No. of Part Line	5	5	5	5	5	5	5	5	4	4	4	4	No. of Part Line	

* For notes about the table above, refer to page 34.

■ Tower 24.40 m



Unit: ton

Tower Length (m)	24.40												Tower Length (m)
Jib Length (m)	39.60				42.65				45.70				Jib Length (m)
Tower Angle (°)	88	83	75	65	88	83	75	65	88	83	75	65	Tower Angle (°)
Working Radius (m)													Working Radius (m)
12	14.9m x				15.8m x								12
14	40.8t				36.0t				16.7m x				14
16	40.2				35.9				30.5t				16
18	39.3	20.3m x			34.7	21.4m x			29.8				18
20	38.2	38.6t			33.7	33.8t			29.0	22.5m x			20
22	37.0	37.7			32.9	33.5			28.2	28.4t			22
24	35.4	36.7			32.3	32.7			27.6	28.1			24
26	33.4	34.3	28.5m x		31.5	31.5			27.2	27.4			26
28	30.3	32.0	33.5t		29.9	30.6	30.1m x		26.8	26.8	31.6m x		28
30	27.7	29.1	31.4		27.3	28.9	30.5t		26.6	26.4	25.8t		30
32	25.5	26.7	29.0		25.2	26.5	28.7		25.4	25.9	25.7		32
34	23.5	24.6	26.8		23.3	24.4	26.6		23.4	24.6	25.1		34
36	21.8	22.9	24.9	38.1m x	21.6	22.7	24.7		21.7	22.8	24.7		36
38	20.2	21.4	23.3	21.8t	20.0	21.3	23.1	40.1m x	20.3	21.2	23.1		38
40	18.9	19.7	21.8	20.5	18.6	19.7	21.6	20.1t	18.9	19.8	21.6		40
42	41.2m x	18.4	20.5	19.2	17.5	18.3	20.3	19.0	17.6	18.6	20.3	19.0	42
44	18.1t	43.4m x	19.3	18.1	16.4	17.1	19.1	17.9	16.5	17.4	19.1	17.8	44
46		17.2t	18.2	17.1	44.2m x	15.8	18.0	16.8	15.5	16.3	18.0	16.8	46
48			46.7m x	16.1	16.2t	46.3m x	17.0	15.9	47.1m x	15.2	17.0	15.9	48
50			17.9t	15.3		15.7t	49.6m x	15.1	15.0t	49.3m x	16.1	15.0	50
52				50.6m x			16.3t	14.3		14.5t	15.3	14.2	52
54				15.0t					53.6m x		52.6m x	13.5	54
56									13.7t		15.1t	12.8	56
58												56.5m x	58
60												12.7t	60
No. of Part Line	4	4	4	4	3	3	3	3	3	3	3	3	No. of Part Line

Unit: ton

Tower Length (m)	24.40												Tower Length (m)
Jib Length (m)	48.75				51.80				54.85				Jib Length (m)
Tower Angle (°)	88	83	75	65	88	83	75	65	88	83	75	65	Tower Angle (°)
Working Radius (m)													Working Radius (m)
14	17.4m x												14
16	27.3t				18.2m x				19.1m x				16
18	27.0				26.0t				22.9t				18
20	26.2	23.4m x			25.3				22.6				20
22	25.5	25.1t			24.5	24.5m x			21.8	25.7m x			22
24	24.8	24.9			23.8	23.8t			21.2	20.9t			24
26	24.3	24.3			22.9	23.3			20.6	20.8			26
28	23.9	23.7			22.4	22.4			19.9	20.2			28
30	23.3	23.2	32.7m x		22.0	21.9			19.5	19.4			30
32	23.1	22.7	22.5t		21.7	21.5	34.2m x		19.1	19.0	35.8m x		32
34	23.0	22.5	22.2		21.5	21.1	21.2t		18.8	18.6	18.4t		34
36	21.6	22.4	21.7		21.3	20.9	20.7		18.6	18.3	18.3		36
38	20.0	21.0	21.4		19.8	20.8	20.3		18.5	18.1	18.0		38
40	18.7	19.5	21.1	43.5m x	18.5	19.3	19.9		18.4	18.0	17.6		40
42	17.5	18.2	20.2	17.8t	17.3	18.0	19.7	45.5m x	17.2	17.9	17.3		42
44	16.4	17.0	19.0	17.7	16.2	16.8	18.8	16.5t	16.1	16.8	17.0	47.4m x	44
46	15.4	16.0	17.9	16.7	15.2	15.8	17.7	16.5	15.1	15.7	16.9	15.6t	46
48	14.5	15.0	16.9	15.8	14.3	14.8	16.7	15.5	14.2	14.8	16.5	15.5	48
50	49.4m x	14.2	16.0	14.9	13.5	14.0	15.8	14.7	13.4	13.9	15.7	14.6	50
52	13.9t	51.5m x	15.2	14.1	12.7	13.2	15.0	13.9	12.6	13.1	14.9	13.8	52
54		13.4t	14.4	13.4	52.3m x	12.4	14.1	13.2	11.9	12.4	14.1	13.1	54
56			54.8m x	12.7	12.5t	54.4m x	13.3	12.5	55.3m x	11.7	13.3	12.5	56
58			14.1t	12.1		12.3t	57.8m x	11.9	11.5t	57.4m x	12.5	11.8	58
60				58.8m x			12.7t	11.4		11.1t	11.9	11.3	60
62				11.9t					61.7m x		60.7m x	10.7	62
64									10.8t		11.7t	10.3	64
66												64.7m x	66
68												10.1t	68
No. of Part Line	3	3	3	3	2	2	2	2	2	2	2	2	No. of Part Line

* For notes about the table above, refer to page 34.

■ Tower 24.40 m



Unit: ton

Tower Length (m)	24.40								Tower Length (m)
Jib Length (m)	57.90				60.95				Jib Length (m)
Tower Angle (°)	88	83	75	65	88	83	75	65	Tower Angle (°)
Working Radius (m)									Working Radius (m)
18					20.9m x				18
20	20.0				17.6t				20
22	19.4				17.2				22
24	18.8	26.8m x			16.7				24
26	18.2	18.2t			16.2				26
28	17.7	17.9			15.7	15.9			28
30	17.1	17.4			15.1	15.4			30
32	16.2	16.7			14.5	14.9			32
34	15.3	15.8	37.3m x		13.7	14.2			34
36	14.5	15.0	15.9t		12.9	13.5	38.8m x		36
38	13.8	14.2	15.8		12.2	12.9	13.8t		38
40	13.2	13.6	15.1		11.6	12.3	13.4		40
42	12.6	12.9	14.3		11.1	11.7	12.7		42
44	12.0	12.4	13.6		10.6	11.1	12.1		44
46	11.6	11.9	13.0	49.4m x	10.1	10.6	11.5		46
48	11.2	11.4	12.4	13.1t	9.7	10.2	11.0	51.3m x	48
50	10.8	11.0	11.9	13.0	9.4	9.8	10.5	11.1t	50
52	10.5	10.7	11.5	12.4	9.1	9.4	10.0	11.0	52
54	10.2	10.4	11.1	11.9	8.8	9.0	9.6	10.5	54
56	10.0	10.1	10.7	11.5	8.6	8.7	9.3	10.0	56
58	9.9	10.0	10.4	11.1	8.4	8.5	9.0	9.6	58
60	58.2m x	9.8	10.3	10.7	8.3	8.3	8.7	9.3	60
62	9.9t	60.3m x	10.2	10.4	61.2m x	8.2	8.5	9.0	62
64		9.8t	63.7m x	10.1	8.2t	63.3m x	8.3	8.7	64
66			10.1t	9.6		8.2t	8.3	8.5	66
68				67.6m x			66.6m x	8.4	68
70				9.2t			8.2t	8.3	70
72								70.6m x	72
74								8.2t	74
No. of Part Line	2	2	2	2	2	2	2	2	No. of Part Line

* For notes about the table above, refer to page 34.

■ Tower 27.45 m



Unit: ton

Tower Length (m)	27.45												Tower Length (m)
Jib Length (m)	21.35				24.40				27.45				Jib Length (m)
Tower Angle (°)	88	83	75	65	88	83	75	65	88	83	75	65	Tower Angle (°)
Working Radius (m)													Working Radius (m)
9	9.7m x 79.5t				10.5m x 71.0t				11.4m x 61.8t				9
10	79.4	13.8m x 75.9t			68.3	14.9m x 66.7t			60.8				10
12	75.4	75.5			65.5	66.7t			58.4	16.1m x 57.8t			12
14	72.2	67.1			63.0	65.0			56.6	57.8t			14
16	62.3	59.7	20.2m x 50.9t		53.7	59.3	21.7m x 46.7t		54.3	55.9			16
18	53.1	46.2	53.7		46.8	53.3	46.7t		47.2	52.4	23.2m x 42.8t		18
20	40.8	48.5	46.3		41.4	48.4	45.9		41.8	47.5	41.2		20
22	23.7m x 36.9t	43.5	41.6	27.6m x 32.9t	37.0	43.3	41.4		37.4	43.0	41.2		22
24		38.3	37.6	32.3	33.4	38.7	37.5	29.6m x 30.0t	33.8	38.5	37.3		24
26		26.1m x 38.0t	34.3	32.3	26.6m x 32.4t	34.9	34.2	30.0t	30.8	34.7	34.0	31.6m x 27.3t	26
28			29.8m x 31.8t	29.6	32.4t	29.0m x 33.3t	28.9	27.2	29.6m x 28.7t	31.6	31.2	27.3t	28
30				25.3			32.8m x 28.1t	25.2			26.7	25.0	30
32				34.3m x 25.1t				23.4			35.7m x 25.1t	23.2	32
34								37.2m x 22.5t				21.7	34
36												20.3	36
38												40.2m x 20.2t	38
40													40
42													42
44													44
No. of Part Line	6	6	6	6	6	6	6	6	5	5	5	5	No. of Part Line

Unit: ton

Tower Length (m)	27.45												Tower Length (m)
Jib Length (m)	30.50				33.50				36.55				Jib Length (m)
Tower Angle (°)	88	83	75	65	88	83	75	65	88	83	75	65	Tower Angle (°)
Working Radius (m)													Working Radius (m)
10	12.3m x 66.1t				13.2m x 55.0t				14.1m x 47.7t				10
12	64.0	17.2m x 55.7t			53.1	18.3m x 52.4t			46.7	19.5m x 45.2t			12
14	60.1	53.7			50.3	52.4t			44.8	45.2t			14
16	54.8	49.5			47.7	47.9			42.9	44.8			16
18	47.7	42.2	24.7m x 45.3		42.5	43.9			40.1	40.6			18
20	42.2	40.5	39.6t		38.0	40.3	26.3m x 36.6t		37.2	37.9	27.8m x 34.0t		20
22	37.8	36.3	37.3		34.2	36.4	33.9		34.1	36.1	33.8		22
24	34.1	32.8	33.9		31.1	32.9	31.1		31.0	32.8	33.8		24
26	31.0	29.9	31.1	33.5m x 28.3	28.3	30.0	31.1		28.3	29.8	31.0		26
28	28.1	27.4	28.7	25.4t	25.9	27.5	28.7	35.5m x 23.5t	25.8	27.3	28.6		28
30	25.8	25.3	26.6	24.9	23.9	25.3	26.6	23.5t	23.8	25.2	26.4	37.4m x 21.9t	30
32	32.5m x 25.2t	34.9m x 24.8	23.1	23.1	35.5m x 22.6t	23.4	24.7	23.1	22.1	23.3	24.6		32
34		24.3t	23.1	21.6	22.6t	37.8m x 21.6t	23.1	21.5	20.6	21.7	23.0	21.4	34
36			38.6m x 20.2				21.6	20.2	38.4m x 20.3t	20.1	21.5	20.0	36
38			22.7t	19.0			41.6m x 20.6t	18.9		40.8m x 19.5t	20.2	18.8	38
40				43.1m x 18.4t				17.8			19.1	17.7	40
42								16.8			44.5m x 18.8t	16.7	42
44												15.8	44
46												49.0m x 15.4t	46
48													48
50													50
52													52
No. of Part Line	5	5	5	5	5	5	5	5	4	4	4	4	No. of Part Line

* For notes about the table above, refer to page 34.

■ Tower 27.45 m



Unit: ton

Tower Length (m)	27.45												Tower Length (m)
Jib Length (m)	39.60				42.65				45.70				Jib Length (m)
Tower Angle (°)	88	83	75	65	88	83	75	65	88	83	75	65	Tower Angle (°)
Working Radius (m)													Working Radius (m)
12	15.0m x				15.9m x								12
14	40.3t				35.6t				16.8m x				14
16	40.2				35.6				30.1t				16
18	39.1	20.6m x			34.4	21.8m x			29.6				18
20	38.1	38.3t			33.4	33.6t			28.7	22.9m x			20
22	37.0	37.4			32.6	33.5			28.0	28.2t			22
24	35.4	36.5			32.0	32.5			27.5	27.9			24
26	33.8	34.2	29.3m x		31.0	31.2			27.0	27.2			26
28	31.2	32.2	32.0t		29.8	30.2	30.8m x		26.5	26.6			28
30	28.5	30.0	31.0		28.0	29.0	29.8t		26.3	26.2	32.4m x		30
32	26.2	27.5	28.6		25.7	27.3	28.4		25.6	25.7	25.5t		32
34	24.2	25.3	26.5		23.7	25.1	26.3		24.0	24.9	25.1		34
36	22.2	23.4	24.6	39.4m x	22.0	23.2	24.4		22.2	23.5	24.1		36
38	20.7	21.7	23.0	20.5t	20.4	21.5	22.8	41.4m x	20.8	21.7	22.8		38
40	19.3	20.3	21.5	20.0	19.1	20.0	21.3	18.9t	19.2	20.2	21.3	43.3m x	40
42	41.4m x	18.9	20.2	18.8	17.9	18.7	20.0	18.5	18.0	18.9	20.0	17.8t	42
44	18.4t	43.7m x	19.0	17.7	16.8	17.5	18.8	17.4	16.9	17.7	18.8	17.4	44
46		17.6t	18.0	16.7	44.3m x	16.3	17.8	16.4	15.9	16.6	17.8	16.4	46
48			47.5m x	15.7	16.6t	46.7m x	16.8	15.5	47.2m x	15.6	16.8	15.5	48
50			17.3t	14.9	16.0t	15.9	14.7	15.3t	49.6m x	15.9	14.7		50
52				51.9m x			50.4m x	13.9		14.6t	15.1	13.9	52
54				14.2t			15.8t	13.2			53.4m x	13.2	54
56								54.9m x			14.6t	12.5	56
58								12.9t				57.8m x	58
60												12.0t	60
No. of Part Line	3	3	3	3	3	3	3	3	3	3	3	3	No. of Part Line

Unit: ton

Tower Length (m)	27.45												Tower Length (m)
Jib Length (m)	48.75				51.80				54.85				Jib Length (m)
Tower Angle (°)	88	83	75	65	88	83	75	65	88	83	75	65	Tower Angle (°)
Working Radius (m)													Working Radius (m)
14	17.5m x												14
16	27.0t				18.4m x				19.2m x				16
18	26.8				25.8t				22.7t				18
20	25.9	23.8m x			25.1				22.4				20
22	25.2	24.8t			24.3	24.9m x			21.7				22
24	24.6	24.8			23.6	23.2t			21.0	26.1m x			24
26	24.1	24.1			22.8	23.2			20.5	20.7t			26
28	23.7	23.5			22.2	22.2			19.7	20.1			28
30	23.0	23.1	33.5m x		21.8	21.7			19.3	19.3			30
32	22.8	22.7	22.2t		21.5	21.3	35.0m x		19.0	18.9			32
34	22.8	22.3	22.1		21.3	21.0	21.0t		18.7	18.5	36.6m x		34
36	22.1	22.2	21.7		21.1	20.8	20.8		18.5	18.2	18.3t		36
38	20.5	21.6	21.3		20.3	20.6	20.3		18.3	18.0	18.0		38
40	19.1	20.1	21.0		18.9	19.9	19.9		18.3	17.9	17.6		40
42	17.9	18.8	19.9	44.8m x	17.7	18.6	19.6		17.6	17.7	17.2		42
44	16.8	17.6	18.7	16.7t	16.6	17.3	18.5	46.8m x	16.5	17.3	17.0		44
46	15.8	16.5	17.6	16.3	15.6	16.3	17.4	15.5t	15.5	16.2	16.8	48.7m x	46
48	14.8	15.5	16.7	15.4	14.6	15.3	16.5	15.1	14.6	15.2	16.3	14.6t	48
50	49.5m x	14.6	15.8	14.5	13.8	14.4	15.6	14.3	13.7	14.3	15.5	14.2	50
52	14.2t	51.9m x	15.0	13.8	13.0	13.6	14.8	13.6	13.0	13.5	14.7	13.5	52
54		13.7t	14.2	13.1	52.4m x	12.7	14.0	12.8	12.3	12.7	13.9	12.8	54
56			55.6m x	12.4	12.8t	54.8m x	13.3	12.2	55.4m x	12.1	13.3	12.1	56
58			13.6t	11.8		12.4t	12.7	11.6	11.8t	57.8m x	12.6	11.5	58
60				11.2			58.6m x	11.0		11.4t	12.0	11.0	60
62				60.1m x			12.5t	10.5			61.5m x	10.4	62
64				11.2t				63.0m x			11.6t	10.0	64
66								10.3t				9.5	66
No. of Part Line	2	2	2	2	2	2	2	2	2	2	2	2	No. of Part Line

* For notes about the table above, refer to page 34.

■ Tower 27.45 m



Unit: ton

Tower Length (m)	27.45								Tower Length (m)
Jib Length (m)	57.90				60.95				Jib Length (m)
Tower Angle (°)	88	83	75	65	88	83	75	65	Tower Angle (°)
Working Radius (m)									Working Radius (m)
18	20.1m x				21.0m x				18
20	19.9t				17.4t				20
22	19.3				17.1				22
24	18.6	27.2m x			16.6				24
26	18.1	18.0t			16.1	28.3m x			26
28	17.6	17.8			15.6	15.7t			28
30	17.0	17.3			15.1	15.3			30
32	16.2	16.6			14.5	14.9			32
34	15.3	15.9			13.7	14.3			34
36	14.5	15.1	38.1m x		12.9	13.5	39.6m x		36
38	13.8	14.3	15.8t		12.3	12.9	13.7t		38
40	13.2	13.6	15.4		11.7	12.3	13.6		40
42	12.6	13.0	14.6		11.1	11.7	13.0		42
44	12.1	12.4	13.9		10.6	11.2	12.3		44
46	11.6	11.9	13.2		10.2	10.7	11.7		46
48	11.2	11.5	12.6	50.7m x	9.7	10.2	11.1		48
50	10.8	11.0	12.1	13.1t	9.4	9.8	10.6	52.6m x	50
52	10.5	10.7	11.6	12.8	9.1	9.4	10.2	11.0t	52
54	10.2	10.4	11.2	12.2	8.8	9.0	9.8	10.8	54
56	10.0	10.1	10.8	11.7	8.5	8.7	9.4	10.3	56
58	9.9	10.0	10.5	11.3	8.4	8.5	9.1	9.9	58
60	58.3m x	9.8	10.2	10.8	8.3	8.3	8.8	9.5	60
62	9.8t	60.7m x	10.0	10.2	61.3m x	8.2	8.6	9.2	62
64		9.7t	9.9	9.8	8.2t	63.6m x	8.4	8.9	64
66			64.4m x	9.3		8.1t	8.3	8.6	66
68			9.9t	8.9			67.4m x	8.4	68
70				68.9m x			8.2t	8.3	70
72				8.7t				71.8m x	72
74								8.0t	74
No. of Part Line	2	2	2	2	2	2	2	2	No. of Part Line

* For notes about the table above, refer to page 34.

■ Tower 30.50 m



Unit: ton

Tower Length (m)	30.50												Tower Length (m)
Jib Length (m)	21.35				24.40				27.45				Jib Length (m)
Tower Angle (°)	88	83	75	65	88	83	75	65	88	83	75	65	Tower Angle (°)
Working Radius (m)													Working Radius (m)
9	9.8m x 79.4t				10.7m x 70.1t				11.5m x 61.1t				9
10	79.3				70.1				61.1				10
12	75.2	14.2m x			67.8	15.3m x			60.4				12
14	72.1	74.8t			65.1	65.9t			57.9	16.4m x			14
16	62.9	66.4			63.1	64.9			56.2	57.4t			16
18	53.5	59.0	21.0m x		54.2	58.0			54.7	55.7			18
20	46.5	53.1	47.5t		47.1	52.2	22.5m x		47.6	51.3			20
22	41.0	48.3	45.4		41.6	47.4	43.6t		42.0	46.6			22
24	23.8m x	43.3	41.0		37.2	43.2	40.8		37.6	42.7	40.1		24
26	36.9t	39.2	37.2	28.9m x	33.6	39.2	37.0		34.0	39.0	36.7		26
28		26.4m x	33.9	30.4t	26.7m x	35.6	33.7	30.9m x	31.0	35.4	33.5		28
30		38.3t	31.1	28.9	32.4t	29.4m x	31.0	27.6t	29.7m x	32.1	30.8	32.9m x	30
32			30.6m x	26.7		33.3t	28.6	26.5	28.7t	29.4	28.4	25.4t	32
34			30.3t	24.7			33.5m x	24.6		32.3m x	26.3	24.3	34
36				35.6m x			27.0t	22.9		29.1t	24.5	22.6	36
38				23.2t				21.4			36.5m x	21.1	38
40								38.5m x			24.1t	19.8	40
42								21.0t				41.4m x	42
44												18.9t	44
No. of Part Line	6	6	6	6	6	6	6	6	5	5	5	5	No. of Part Line

Unit: ton

Tower Length (m)	30.50												Tower Length (m)
Jib Length (m)	30.50				33.50				36.55				Jib Length (m)
Tower Angle (°)	88	83	75	65	88	83	75	65	88	83	75	65	Tower Angle (°)
Working Radius (m)													Working Radius (m)
10	12.4m x				13.3m x								10
12	65.2t				54.1t				14.2m x				12
14	62.5	17.6m x			54.1				47.2t				14
16	59.1	53.4t			52.5	18.7m x			46.4	19.9m x			16
18	55.2	52.4			49.7	50.2t			44.5	44.6t			18
20	48.0	47.8			47.1	47.6			42.6	44.4			20
22	42.4	43.8	25.5m x		42.8	43.1			40.2	40.6			22
24	38.0	41.2	37.3t		38.3	39.7	27.1m x		37.1	37.7			24
26	34.3	36.9	36.5		34.5	37.1	34.5t		34.2	35.1	28.6m x		26
28	31.2	33.3	33.5		31.3	33.5	33.4		31.2	33.3	32.1t		28
30	28.2	30.3	30.7		28.4	30.4	30.7		28.5	30.3	30.5		30
32	26.0	27.7	28.3	34.8m x	26.1	27.8	28.3		25.9	27.7	28.2		32
34	32.6m x	25.6	26.2	23.6t	24.1	25.6	26.2	36.8m x	24.0	25.5	26.1		34
36	25.3t	35.3m x	24.4	22.5	35.6m x	23.7	24.4	21.9t	22.2	23.6	24.3	38.7m x	36
38		23.6t	22.8	21.0	22.7t	21.7	22.8	21.0	20.7	21.9	22.7	20.4t	38
40			39.4m x	19.7		38.2m x	21.3	19.7	38.5m x	20.4	21.2	19.5	40
42			21.8t	18.5		21.5t	20.0	18.4	20.3t	41.2m x	19.9	18.3	42
44				17.4			42.4m x	17.4		19.2t	18.8	17.2	44
46				44.4m x			19.8t	16.4			45.3m x	16.2	46
48				17.2t				47.3m x			18.1t	15.4	48
50								15.7t				14.6	50
52												50.3m x	52
54												14.4t	54
No. of Part Line	5	5	5	5	5	5	5	5	4	4	4	4	No. of Part Line

* For notes about the table above, refer to page 34.

■ Tower 30.50 m



Unit: ton

Tower Length (m)	30.50												Tower Length (m)
Jib Length (m)	39.60				42.65				45.70				Jib Length (m)
Tower Angle (°)	88	83	75	65	88	83	75	65	88	83	75	65	Tower Angle (°)
Working Radius (m)													Working Radius (m)
12	15.1m x												12
14	40.2t								16.9m x				14
16	40.0				35.2				29.8t				16
18	38.7	21.0m x			34.3				29.3				18
20	37.7	37.8t			33.4	22.1m x			28.6	23.3m x			20
22	36.9	37.2			32.5	33.3t			28.0	28.0t			22
24	35.4	36.2			31.5	32.3			27.5	27.8			24
26	33.8	34.0			30.3	30.9			27.0	27.0			26
28	31.5	32.0	30.1m x		29.1	29.4	31.6m x		26.4	26.4			28
30	28.7	30.1	30.3t		28.1	28.3	28.3t		25.8	26.0	33.2m x		30
32	26.4	27.9	28.2		25.9	27.3	27.8		25.0	25.5	25.2t		32
34	24.4	25.7	26.1		23.9	25.5	25.9		24.2	24.4	25.0		34
36	22.3	23.7	24.3		22.1	23.5	24.1		22.4	23.7	24.1		36
38	20.8	22.0	22.6	40.7m x	20.6	21.8	22.4		20.8	22.0	22.5		38
40	19.4	20.5	21.2	19.0t	19.2	20.3	21.0	42.7m x	19.4	20.5	21.0		40
42	41.5m x	19.2	19.9	18.3	18.0	18.9	19.7	17.6t	18.1	19.1	19.7	44.6m x	42
44	18.5t	17.6	18.7	17.2	16.9	17.7	18.5	17.0	17.0	17.9	18.6	16.7t	44
46		44.1m x	17.7	16.2	44.4m x	16.7	17.5	16.0	16.0	16.8	17.5	16.0	46
48		17.5t	16.7	15.3	16.6t	47.1m x	16.5	15.1	47.3m x	15.8	16.5	15.1	48
50			48.3m x	14.5		16.1t	15.7	14.3	15.3t	14.6	15.6	14.2	50
52			16.6t	13.7			51.2m x	13.5			14.8	13.5	52
54				53.2m x			15.2t	12.8			14.1	12.8	54
56				13.3t				12.2			54.2m x	12.2	56
58								56.2m x			14.0t	11.6	58
60								12.1t				59.1m x	60
62												11.2t	62
No. of Part Line	3	3	3	3	3	3	3	3	3	3	3	3	No. of Part Line

Unit: ton

Tower Length (m)	30.50												Tower Length (m)
Jib Length (m)	48.75				51.80				54.85				Jib Length (m)
Tower Angle (°)	88	83	75	65	88	83	75	65	88	83	75	65	Tower Angle (°)
Working Radius (m)													Working Radius (m)
14	17.6m x												14
16	26.7t				18.5m x				19.4m x				16
18	26.5				25.6t				22.5t				18
20	25.7				24.9				22.3				20
22	25.0	24.1m x			24.1	25.3m x			21.5				22
24	24.4	24.6t			23.5	23.0t			20.9	26.4m x			24
26	23.9	24.0			22.6	23.0			20.3	20.5t			26
28	23.5	23.4			22.1	22.1			19.6	20.1			28
30	22.8	22.9			21.7	21.6			19.1	19.2			30
32	22.6	22.5	34.3m x		21.3	21.2	35.8m x		18.8	18.7			32
34	22.5	22.0	22.0t		21.1	20.8	20.8t		18.5	18.4	37.4m x		34
36	21.9	21.9	21.6		20.9	20.6	20.7		18.3	18.1	18.1t		36
38	20.7	21.4	21.2		20.5	20.4	20.3		18.2	17.9	18.0		38
40	19.3	20.4	20.9		19.1	20.2	19.9		18.1	17.7	17.6		40
42	18.0	19.0	19.6		17.8	18.8	19.1		17.7	17.6	17.2		42
44	16.9	17.8	18.4	46.1m x	16.7	17.6	18.2		16.6	17.5	16.9		44
46	15.9	16.7	17.4	15.6t	15.7	16.5	17.2		15.6	16.4	16.7		46
48	14.9	15.7	16.4	14.9	14.7	15.5	16.2	14.5	14.7	15.4	16.1		48
50	49.6m x	14.7	15.5	14.1	13.9	14.5	15.3	13.9	13.8	14.5	15.3	13.7	50
52	14.2t	13.7	14.7	13.4	13.1	13.7	14.5	13.1	13.0	13.6	14.5	13.1	52
54		52.2m x	14.0	12.7	52.5m x	13.0	13.8	12.5	12.3	12.9	13.7	12.4	54
56		13.6t	13.3	12.0	12.9t	55.2m x	13.1	11.8	55.5m x	12.2	13.0	11.7	56
58			56.4m x	11.4		11.8t	12.5	11.2	11.8t	11.4	12.4	11.1	58
60			13.1t	10.9			59.3m x	10.7		58.1m x	11.8	10.6	60
62				61.4m x			12.1t	10.2		11.4t	11.2	10.1	62
64				10.5t				9.7			62.3m x	9.6	64
66								64.3m x			11.2t	9.2	66
68								9.6t				67.2m x	68
70												8.9t	70
No. of Part Line	2	2	2	2	2	2	2	2	2	2	2	2	No. of Part Line

* For notes about the table above, refer to page 34.

■ Tower 30.50 m



Unit: ton

Tower Length (m)	30.50								Tower Length (m)
Jib Length (m)	57.90				60.95				Jib Length (m)
Tower Angle (°)	88	83	75	65	88	83	75	65	Tower Angle (°)
Working Radius (m)									Working Radius (m)
18	20.2m x				21.1m x				18
20	19.7t				17.3t				20
22	19.1				17.0				22
24	18.5	27.6m x			16.5				24
26	18.0	17.9t			15.9	28.7m x			26
28	17.5	17.8			15.5	15.6t			28
30	16.9	17.2			15.0	15.3			30
32	16.2	16.5			14.5	14.8			32
34	15.3	16.0			13.7	14.2			34
36	14.5	15.2	38.9m x		13.0	13.5			36
38	13.8	14.4	15.7t		12.3	12.8	40.4m x		38
40	13.2	13.7	15.4		11.7	12.2	13.5t		40
42	12.6	13.1	14.9		11.1	11.7	13.2		42
44	12.1	12.5	14.1		10.6	11.2	12.6		44
46	11.6	12.0	13.4		10.2	10.7	11.9		46
48	11.2	11.5	12.8		9.7	10.3	11.3		48
50	10.8	11.1	12.3		9.4	9.8	10.8	53.9m x	50
52	10.5	10.7	11.8	12.7	9.1	9.4	10.3	11.0t	52
54	10.2	10.4	11.3	12.2	8.8	9.0	9.9	10.9	54
56	10.0	10.1	10.9	11.5	8.5	8.7	9.5	10.6	56
58	9.9	10.0	10.6	10.9	8.4	8.5	9.2	10.1	58
60	58.4m x	9.9	10.3	10.4	8.2	8.3	8.9	9.7	60
62	9.8t	61.1m x	10.1	9.9	61.4m x	8.2	8.6	9.4	62
64		9.8t	9.9	9.4	8.1t	8.1	8.4	9.0	64
66			65.2m x	9.0			8.4	8.8	66
68			9.9t	8.6			8.2	8.4	68
70				8.2			68.2m x	8.0	70
72				70.2m x			8.2t	7.7	72
74				8.1t				73.1m x	74
76								7.4t	76
No. of Part Line	2	2	2	2	2	2	2	2	No. of Part Line

* For notes about the table above, refer to page 34.

■ Tower 33.50 m



Unit: ton

Tower Length (m)	33.50												Tower Length (m)
Jib Length (m)	21.35				24.40				27.45				Jib Length (m)
Tower Angle (°)	88	83	75	65	88	83	75	65	88	83	75	65	Tower Angle (°)
Working Radius (m)													Working Radius (m)
9	9.9m x 79.3t				10.8m x 69.4t				11.7m x 60.3t				9
10	79.1												10
12	74.8	14.5m x			67.3	15.7m x			59.9				12
14	71.7	71.7t			64.6	65.0t			57.5	16.8m x			14
16	63.4	64.9			62.6	63.8			55.7	56.8t			16
18	53.9	57.8	21.8m x		54.6	56.8			54.4	55.4			18
20	46.9	52.0	44.5t		47.4	51.1	23.3m x		47.9	50.2			20
22	41.3	47.3	44.1		41.9	46.5	40.9t		42.3	45.7	24.8m x		22
24	23.9m x	43.1	40.4		37.4	42.6	39.7		37.8	41.8	37.8t		24
26	36.9t	39.0	36.7		33.7	38.9	36.5		34.2	38.6	35.9		26
28		26.8m x	33.4	30.2m x	26.8m x	35.5	33.3		31.1	35.4	33.1		28
30		37.6t	30.7	28.1t	32.4t	29.8m x	30.5	32.2m x	29.8m x	32.4	30.3		30
32			31.4m x	26.0		32.9t	28.2	25.6t	28.7t	29.9	28.0	34.1m x	32
34			28.9t	24.2			26.1	23.9		32.7m x	25.9	23.6t	34
36				22.5			34.3m x	22.3		29.2t	24.1	22.0	36
38				36.8m x			25.8t	20.8			37.3m x	20.6	38
40				21.7t				39.8m x			23.0t	19.3	40
42								19.6t				18.1	42
44												42.7m x	44
46												17.7t	46
No. of Part Line	6	6	6	6	6	6	6	6	5	5	5	5	No. of Part Line

Unit: ton

Tower Length (m)	33.50												Tower Length (m)
Jib Length (m)	30.50				33.50				36.55				Jib Length (m)
Tower Angle (°)	88	83	75	65	88	83	75	65	88	83	75	65	Tower Angle (°)
Working Radius (m)													Working Radius (m)
10	12.5m x 63.5t				13.4m x 53.2t				14.3m x 46.7t				10
12													12
14	61.2	17.9m x			53.2				46.7t				14
16	58.3	50.6t			51.9	19.1m x			45.9				16
18	54.5	50.4			49.2	47.4t			44.3	20.2m x			18
20	48.4	47.6			46.5	47.4			42.3	43.3t			20
22	42.7	43.9			43.0	43.1			40.2	40.6			22
24	38.2	40.6	26.3m x		38.5	39.8	27.9m x		37.2	37.8			24
26	34.5	37.9	35.1t		34.8	37.0	32.6t		34.3	35.5	29.4m x		26
28	31.5	34.2	32.9		31.5	34.3	32.5		31.7	33.4	30.4t		28
30	28.7	31.0	30.3		28.8	31.2	30.2		28.8	31.1	29.8		30
32	26.4	28.4	27.9		26.5	28.5	27.9		26.4	28.4	27.8		32
34	32.7m x	26.2	25.9	36.1m x	24.5	26.2	25.8		24.4	26.1	25.7		34
36	25.5t	35.6m x	24.1	21.9t	35.7m x	24.3	24.0	38.1m x	22.6	24.1	23.9		36
38		24.2t	22.5	20.5	22.9t	22.3	22.4	20.3t	21.1	22.4	22.3		38
40			21.1	19.2		38.6m x	21.0	19.1	38.6m x	20.9	20.9	19.0	40
42			40.2m x	18.0		21.8t	19.7	17.9	20.6t	41.5m x	19.6	17.8	42
44			20.9t	16.9			43.2m x	16.9		19.7t	18.5	16.7	44
46				45.7m x			19.0t	15.9			17.4	15.8	46
48				16.0t				15.1			46.1m x	14.9	48
50								48.6m x			17.4t	14.1	50
52								14.8t				51.6m x	52
54												13.6t	54
No. of Part Line	5	5	5	5	4	4	4	4	4	4	4	4	No. of Part Line

* For notes about the table above, refer to page 34.

■ Tower 33.50 m



Unit: ton

Tower Length (m)	33.50												Tower Length (m)
Jib Length (m)	39.60				42.65				45.70				Jib Length (m)
Tower Angle (°)	88	83	75	65	88	83	75	65	88	83	75	65	Tower Angle (°)
Working Radius (m)													Working Radius (m)
12	15.2m x												12
14	40.2t				16.1m x				17.0m x				14
16	39.6				34.9t				29.4t				16
18	38.3	21.4m x			34.3				29.3				18
20	37.3	37.3t			33.3	22.5m x			28.6	23.7m x			20
22	36.5	37.0			32.5	32.9t			27.9	27.7t			22
24	35.5	36.0			31.5	32.1			27.3	27.6			24
26	33.8	33.9			30.4	30.9			26.8	26.9			26
28	32.0	32.0	30.9m x		29.2	29.6			26.4	26.2			28
30	29.2	30.1	28.6t		27.8	28.4	32.4m x		25.5	25.7	33.9m x		30
32	26.9	28.2	27.6		26.3	27.2	26.8t		24.5	25.4	24.9t		32
34	24.5	26.3	25.7		24.3	25.7	25.4		23.7	24.3	24.9		34
36	22.7	24.3	23.9		22.5	24.1	23.7		22.8	23.4	23.7		36
38	21.2	22.5	22.3		20.9	22.3	22.1		21.2	22.5	22.1		38
40	19.8	21.0	20.9		19.5	20.7	20.7	43.9m x	19.7	21.0	20.7		40
42	41.6m x	19.6	19.6	17.8	18.3	19.4	19.4	16.5t	18.5	19.6	19.4	45.9m x	42
44	18.7t	18.3	18.5	16.7	17.2	18.1	18.3	16.5	17.3	18.3	18.3	15.5t	44
46		44.5m x	17.4	15.7	44.5m x	17.0	17.2	15.5	16.3	17.2	17.2	15.5	46
48		18.0t	16.5	14.9	16.9t	47.4m x	16.3	14.6	47.5m x	16.1	16.3	14.6	48
50			49.1m x	14.1		16.0t	15.4	13.8	15.5t	15.1	15.4	13.8	50
52			16.0t	13.3			14.6	13.1		50.4m x	14.6	13.1	52
54				12.7				12.4		14.9t	13.8	12.4	54
56				54.5m x				11.8			54.9m x	11.8	56
58				12.5t				57.5m x			13.5t	11.2	58
60								11.4t				10.7	60
62												60.4m x	62
64												10.5t	64
No. of Part Line	3	3	3	3	3	3	3	3	3	3	3	3	No. of Part Line

Tower Length (m)	33.50												Tower Length (m)
Jib Length (m)	48.75				51.80				54.85				Jib Length (m)
Tower Angle (°)	88	83	75	65	88	83	75	65	88	83	75	65	Tower Angle (°)
Working Radius (m)													Working Radius (m)
14	17.7m x												14
16	26.4t				18.6m x				19.5m x				16
18	26.3				25.0t				22.3t				18
20	25.5				24.7				22.1				20
22	24.8	24.5m x			24.0	25.7m x			21.4				22
24	24.2	24.3t			23.3	22.9t			20.7	26.8m x			24
26	23.6	23.8			22.5	22.9			20.2	20.3t			26
28	23.2	23.2			21.9	22.0			19.5	20.0			28
30	22.7	22.7			21.5	21.4			19.0	19.2			30
32	22.3	22.3	35.1m x		21.1	21.0			18.6	18.6			32
34	22.0	21.8	21.8t		20.9	20.7	36.6m x		18.4	18.3			34
36	21.4	21.4	21.6		20.7	20.4	20.6t		18.1	18.0	38.1m x		36
38	20.9	20.8	21.1		20.5	20.2	20.3		18.0	17.7	17.9t		38
40	19.6	20.4	20.6		19.4	20.0	19.8		17.9	17.6	17.6		40
42	18.3	19.4	19.3		18.1	19.2	19.1		17.9	17.5	17.2		42
44	17.2	18.2	18.2	47.4m x	17.0	18.0	18.0		16.9	17.4	16.9		44
46	16.1	17.0	17.1	14.6t	15.9	16.8	16.9	49.3m x	15.9	16.8	16.6		46
48	15.2	16.0	16.2	14.5	15.0	15.8	16.0	13.5t	14.9	15.7	15.9	51.3m x	48
50	49.7m x	15.1	15.3	13.7	14.1	14.9	15.1	13.5	14.1	14.8	15.0	12.8t	50
52	14.4t	14.1	14.5	13.0	13.4	14.0	14.3	12.7	13.3	14.0	14.2	12.6	52
54		52.6m x	13.7	12.3	52.6m x	13.3	13.5	12.1	12.6	13.2	13.5	12.0	54
56		13.8t	13.1	11.7	13.1t	55.6m x	12.9	11.4	55.6m x	12.5	12.8	11.3	56
58			57.2m x	11.1		12.5t	12.2	10.9	12.0t	11.7	12.2	10.8	58
60			12.7t	10.5			11.7	10.3		58.5m x	11.6	10.2	60
62				10.0			60.1m x	9.8		11.5t	11.0	9.7	62
64				62.6m x			11.6t	9.4			63.1m x	9.3	64
66				9.9t				65.6m x			10.7t	8.8	66
68								9.0t				8.4	68
70												68.5m x	70
72												8.3t	72
No. of Part Line	2	2	2	2	2	2	2	2	2	2	2	2	No. of Part Line

* For notes about the table above, refer to page 34.

■ Tower 33.50 m



Unit: ton

Tower Length (m)	33.50								Tower Length (m)
Jib Length (m)	57.90				60.95				Jib Length (m)
Tower Angle (°)	88	83	75	65	88	83	75	65	Tower Angle (°)
Working Radius (m)									Working Radius (m)
18	20.3m x				21.2m x				18
20	19.5t				17.2t				20
22	19.0				16.9				22
24	18.4	27.9m x			16.3				24
26	17.8	17.7t			15.8	29.1m x			26
28	17.4	17.6			15.4	15.4t			28
30	16.7	17.2			15.0	15.2			30
32	16.3	16.6			14.4	14.8			32
34	15.4	16.0			13.7	14.1			34
36	14.6	15.3	39.7m x		13.0	13.6			36
38	13.8	14.5	15.5t		12.3	12.9	41.2m x		38
40	13.2	13.8	15.5		11.7	12.2	13.4t		40
42	12.6	13.1	15.1		11.1	11.7	13.3		42
44	12.1	12.5	14.4		10.6	11.2	12.8		44
46	11.6	12.0	13.7		10.2	10.7	12.1		46
48	11.2	11.5	13.0		9.7	10.3	11.5		48
50	10.8	11.1	12.5	53.2m x	9.4	9.8	11.0		50
52	10.5	10.7	11.9	11.9t	9.1	9.4	10.5	55.2m x	52
54	10.2	10.4	11.5	11.8	8.8	9.0	10.1	11.0t	54
56	10.0	10.2	11.1	11.1	8.5	8.7	9.7	10.9	56
58	9.8	10.0	10.7	10.6	8.3	8.5	9.3	10.4	58
60	58.5m x	9.8	10.4	10.0	8.2	8.3	9.0	9.9	60
62	9.8t	61.4m x	10.1	9.5	61.5m x	8.2	8.7	9.4	62
64		9.7t	9.9	9.1	8.1t	8.1	8.5	8.9	64
66			9.8	8.6		64.4m x	8.3	8.5	66
68				8.2		8.1t	8.2	8.1	68
70				7.9			69.0m x	7.7	70
72				71.5m x			8.2t	7.4	72
74				7.6t				7.0	74
76								74.4m x	76
78								7.0t	78
No. of Part Line	2	2	2	2	2	2	2	2	No. of Part Line

* For notes about the table above, refer to page 34.

■ Tower 36.55 m



Unit: ton

Tower Length (m)	36.55												Tower Length (m)
Jib Length (m)	21.35				24.40				27.45				Jib Length (m)
Tower Angle (°)	88	83	75	65	88	83	75	65	88	83	75	65	Tower Angle (°)
Working Radius (m)													Working Radius (m)
9					10.9m x				11.8m x				9
10	78.6				68.6t				59.6t				10
12	74.3	14.9m x			66.8				59.3				12
14	71.2	67.9t			64.0				56.9	17.2m x			14
16	64.0	63.4			62.1	62.3			55.2	56.0t			16
18	54.4	56.5			55.0	55.5			53.9	54.6			18
20	47.2	50.9	22.5m x		47.8	50.1			48.2	49.2			20
22	41.6	46.3	41.9t		42.1	45.5	24.1m x		42.6	44.7	25.6m x		22
24	37.0	42.5	39.2		37.6	41.7	38.4t		38.1	41.0	35.4t		24
26		38.8	36.1		33.9	38.6	35.5		34.4	37.8	34.9		26
28		27.2m x	32.9	31.5m x	27.0m x	35.3	32.8		31.3	35.1	32.3		28
30		36.7t	30.2	25.9t	32.2t	32.4	30.1	33.5m x	29.9m x	32.2	29.9		30
32			27.8	25.3		30.1m x	27.7	23.7t	28.7t	29.7	27.5	35.4m x	32
34			32.2m x	23.4		32.3t	25.7	23.3		33.1m x	25.5	21.9t	34
36			27.6t	21.8			35.1m x	21.6		28.5t	23.7	21.4	36
38				20.3			24.7t	20.2			22.2	19.9	38
40				38.1m x				18.9			38.1m x	18.7	40
42				20.3t				41.1m x			22.1t	17.5	42
44								18.3t				16.5	44
No. of Part Line	6	6	6	6	6	6	6	6	5	5	5	5	No. of Part Line

Unit: ton

Tower Length (m)	36.55												Tower Length (m)
Jib Length (m)	30.50				33.50				36.55				Jib Length (m)
Tower Angle (°)	88	83	75	65	88	83	75	65	88	83	75	65	Tower Angle (°)
Working Radius (m)													Working Radius (m)
10	12.6m x				13.5m x								10
12	59.9t				51.3t				14.4m x				12
14	58.8				51.3				45.2t				14
16	56.8	18.3m x			50.4	19.5m x			44.7				16
18	53.7	50.4t			48.6	47.2t			43.5	20.6m x			18
20	48.7	47.4			46.1	47.2			41.9	42.8t			20
22	43.0	43.1			43.3	43.3			40.1	40.1			22
24	38.4	39.6	27.1m x		38.7	40.0			37.2	37.4			24
26	34.7	36.9	33.1t		34.9	36.6	28.6m x		34.4	34.7			26
28	31.6	34.6	31.9		31.7	33.7	31.0t		31.8	32.5	30.2m x		28
30	28.8	31.8	29.7		29.0	31.6	29.4		28.9	30.5	28.8t		30
32	26.5	29.0	27.5		26.6	29.3	27.4		26.5	28.9	27.0		32
34	32.8m x	26.7	25.4	37.4m x	24.6	26.9	25.5		24.5	26.8	25.3		34
36	25.5t	24.2	23.7	20.3t	35.8m x	24.8	23.7	39.3m x	22.7	24.7	23.5		36
38			22.1	19.9	22.9t	22.8	22.1	19.0t	21.1	22.9	21.9	41.3m x	38
40			20.7	18.6		39.0m x	20.7	18.5	38.7m x	21.4	20.5	17.7t	40
42			41.0m x	17.4		21.9t	19.4	17.4	20.5t	41.9m x	19.3	17.2	42
44			20.1t	16.4			18.5	16.4		19.8t	18.1	16.2	44
46				15.5				15.4			17.1	15.3	46
48				47.0m x				14.6			46.9m x	14.4	48
50				15.1t				49.9m x			16.7t	13.6	50
52								13.9t				12.9	52
54												52.9m x	54
56												12.7t	56
No. of Part Line	5	5	5	5	4	4	4	4	4	4	4	4	No. of Part Line

* For notes about the table above, refer to page 34.

■ Tower 36.55 m



Unit: ton

Tower Length (m)	36.55												Tower Length (m)
Jib Length (m)	39.60				42.65				45.70				Jib Length (m)
Tower Angle (°)	88	83	75	65	88	83	75	65	88	83	75	65	Tower Angle (°)
Working Radius (m)													Working Radius (m)
12	15.3m x												12
14	39.1t				16.2m x				17.1m x				14
16	39.1				34.4t				29.3t				16
18	37.9	21.7m x			33.9				29.2				18
20	36.9	36.9t			33.0	22.9m x			28.3				20
22	36.1	36.7			32.1	32.4t			27.6				22
24	35.5	35.7			31.5	31.9			27.0	27.4			24
26	33.8	33.7			30.4	30.8			26.5	26.7			26
28	32.1	31.5	31.7m x		29.2	29.2			26.1	26.0			28
30	29.3	29.8	27.1t		27.5	27.7	33.2m x		25.1	25.5			30
32	26.9	28.0	26.8		25.8	26.4	25.4t		24.2	25.1	34.7m x		32
34	24.6	26.6	25.1		24.4	25.2	24.7		23.2	24.1	24.0t		34
36	22.8	25.1	23.5		22.6	24.2	23.2		22.3	23.2	23.0		36
38	21.2	23.2	22.0		21.0	23.0	21.7		21.3	22.1	21.7		38
40	19.8	21.6	20.5	43.3m x	19.6	21.4	20.3		19.8	21.2	20.4		40
42	41.7m x	20.1	19.3	16.5t	18.3	20.0	19.1	45.2m x	18.5	19.8	19.1		42
44	18.7t	18.6	18.1	16.2	17.2	18.7	17.9	15.4t	17.4	18.5	18.0	47.2m x	44
46		44.8m x	17.1	15.2	44.6m x	17.5	16.9	15.0	16.3	17.3	16.9	14.4t	46
48		18.1t	16.2	14.4	16.8t	47.8m x	16.0	14.1	47.6m x	16.3	16.0	14.1	48
50			49.8m x	13.6		16.4t	15.1	13.4	15.5t	15.1	15.1	13.4	50
52			15.4t	12.9			14.3	12.7		50.7m x	14.3	12.7	52
54				12.2			52.8m x	12.0		14.8t	13.6	12.0	54
56				55.8m x			14.1t	11.4			55.7m x	11.4	56
58				11.7t				10.8			13.0t	10.8	58
60								58.7m x				10.3	60
62								10.7t				61.7m x	62
64												9.8t	64
No. of Part Line	3	3	3	3	3	3	3	3	3	3	3	3	No. of Part Line

Unit: ton

Tower Length (m)	36.55												Tower Length (m)
Jib Length (m)	48.75				51.80				54.85				Jib Length (m)
Tower Angle (°)	88	83	75	65	88	83	75	65	88	83	75	65	Tower Angle (°)
Working Radius (m)													Working Radius (m)
14	17.8m x												14
16	26.0t				18.7m x				19.6m x				16
18	26.0				24.7t				22.1t				18
20	25.2				24.3				21.9				20
22	24.5	24.9m x			23.8				21.2				22
24	23.9	24.1t			23.1				20.6	27.2m x			24
26	23.4	23.7			22.4	22.7			20.0	20.1t			26
28	23.0	23.1			21.7	22.0			19.4	19.8			28
30	22.7	22.5			21.3	21.4			18.8	19.1			30
32	21.9	22.1	35.9m x		20.9	20.9			18.5	18.6			32
34	21.3	21.3	21.5t		20.7	20.5	37.4m x		18.2	18.1			34
36	20.7	20.7	21.4		20.5	20.2	20.4t		18.0	17.8	38.9m x		36
38	20.3	20.2	21.0		19.9	19.9	20.3		17.8	17.6	17.8t		38
40	19.7	19.7	20.2		19.5	19.4	19.8		17.8	17.4	17.5		40
42	18.4	19.3	19.0		18.2	19.0	18.7		17.6	17.3	17.1		42
44	17.3	18.4	17.9		17.1	18.2	17.6		17.0	17.1	16.8		44
46	16.2	17.2	16.8	48.7m x	16.0	17.0	16.6		15.9	16.8	16.5		46
48	15.3	16.2	15.9	13.6t	15.1	16.0	15.7	50.6m x	15.0	15.9	15.6		48
50	49.8m x	15.2	15.0	13.2	14.2	15.0	14.8	12.6t	14.1	14.9	14.7	52.6m x	50
52	14.4t	14.2	14.2	12.5	13.4	14.2	14.0	12.3	13.3	14.1	13.9	11.9t	52
54		53.0m x	13.5	11.9	52.7m x	13.4	13.3	11.6	12.6	13.3	13.2	11.5	54
56		13.7t	12.8	11.2	13.1t	55.9m x	12.6	11.0	55.7m x	12.6	12.5	10.9	56
58			12.2	10.7		12.5t	12.0	10.5	12.0t	11.8	11.9	10.4	58
60				10.2			11.4	9.9		58.9m x	11.3	9.8	60
62				9.7			60.9m x	9.4		11.5t	10.8	9.4	62
64				63.9m x			11.2t	9.0			63.9m x	8.9	64
66				9.2t				8.6			10.3t	8.5	66
68								66.9m x				8.1	68
70								8.4t				69.8m x	70
72												7.7t	72
No. of Part Line	2	2	2	2	2	2	2	2	2	2	2	2	No. of Part Line

* For notes about the table above, refer to page 34.

■ Tower 36.55 m



Unit: ton

Tower Length (m)	36.55								Tower Length (m)
Jib Length (m)	57.90				60.95				Jib Length (m)
Tower Angle (°)	88	83	75	65	88	83	75	65	Tower Angle (°)
Working Radius (m)									Working Radius (m)
18	20.5m x				21.3m x				18
20	19.4t				17.0t				20
22	18.9				16.8				22
24	18.2				16.2				24
26	17.7	28.3m x			15.7	29.5m x			26
28	17.2	17.5t			15.3	15.3t			28
30	16.6	17.1			14.8	15.2			30
32	16.2	16.4			14.3	14.7			32
34	15.4	15.9			13.7	14.1			34
36	14.6	15.4			13.0	13.7			36
38	13.9	14.6	40.5m x		12.3	13.0			38
40	13.2	13.8	15.4t		11.7	12.3			40
42	12.6	13.2	15.1		11.1	11.7	13.3		42
44	12.1	12.6	14.6		10.6	11.1	13.0		44
46	11.6	12.1	13.9		10.2	10.6	12.4		46
48	11.2	11.6	13.3		9.7	10.2	11.7		48
50	10.8	11.1	12.7		9.4	9.7	11.2		50
52	10.5	10.8	12.1	54.5m x	9.0	9.4	10.7		52
54	10.2	10.4	11.6	11.0t	8.8	9.0	10.2	56.5m x	54
56	10.0	10.2	11.2	10.7	8.5	8.8	9.8	10.3t	56
58	9.8	10.0	10.8	10.1	8.3	8.5	9.4	10.0	58
60	58.6m x	9.8	10.5	9.6	8.2	8.3	9.1	9.5	60
62	9.7t	61.8m x	10.2	9.1	61.6m x	8.2	8.8	9.0	62
64		9.7t	10.0	8.7	8.1t	8.1	8.6	8.5	64
66			9.7	8.3		64.8m x	8.4	8.1	66
68			66.8m x	7.9		8.1t	8.2	7.7	68
70			9.5t	7.5			69.7m x	7.4	70
72				7.2			8.2t	7.0	72
74				72.8m x				6.7	74
76				7.0t				75.7m x	76
78								6.4t	78
No. of Part Line	2	2	2	2	2	2	2	2	No. of Part Line

* For notes about the table above, refer to page 34.

■ Tower 39.60 m



Unit: ton

Tower Length (m)	39.60												Tower Length (m)
Jib Length (m)	21.35				24.40				27.45				Jib Length (m)
Tower Angle (°)	88	83	75	65	88	83	75	65	88	83	75	65	Tower Angle (°)
Working Radius (m)													Working Radius (m)
9	10.1m x				11.0m x				11.9m x				9
10	76.8t				67.5t				58.0t				10
12	69.4	15.3m x			65.8				57.9				12
14	66.5	65.0t			63.2	16.4m x			55.7	17.6m x			14
16	62.6	62.2			61.3	59.9t			54.0	54.6t			16
18	54.7	55.5			55.5	54.6			52.8	53.9			18
20	47.4	50.0	23.3m x		48.1	49.2			48.6	48.6			20
22	41.8	45.6	39.6t		42.4	44.8	24.9m x		42.8	44.3			22
24	37.0	41.8	38.3		37.9	41.1	36.3t		38.3	40.7	26.4m x		24
26	24.1m x	38.7	35.3		34.1	38.0	34.7		34.5	37.5	33.8t		26
28	36.9t	27.6m x	32.6		27.1m x	35.2	32.2		31.4	34.9	31.8		28
30		36.0t	29.9	32.8m x	32.3t	32.3	29.8		28.7	32.4	29.7		30
32			27.6	24.1t		30.5m x	27.5	34.8m x		29.9	27.5		32
34			33.0m x	23.0		31.8t	25.5	22.1t		33.4m x	25.5	36.7m x	34
36			26.5t	21.4			35.9m x	21.2		28.4t	23.7	20.7t	36
38				19.9			23.8t	19.8			22.1	19.7	38
40				39.4m x				18.5			38.9m x	18.5	40
42				19.0t				17.4			21.4t	17.3	42
44								42.4m x				16.3	44
46								17.2t				45.3m x	46
48												15.7t	48
No. of Part Line	6	6	6	6	5	5	5	5	5	5	5	5	No. of Part Line

Unit: ton

Tower Length (m)	39.60												Tower Length (m)
Jib Length (m)	30.50				33.50				36.55				Jib Length (m)
Tower Angle (°)	88	83	75	65	88	83	75	65	88	83	75	65	Tower Angle (°)
Working Radius (m)													Working Radius (m)
10	12.8m x				13.6m x								10
12	56.3t				49.4t								12
14	56.3				49.4								14
16	55.5	18.7m x			49.0	19.8m x							16
18	53.1	50.2t			48.0	47.0t							18
20	49.0	47.2			45.6	47.0							20
22	43.2	42.5			43.4	42.0							22
24	38.6	39.0	27.9m x		38.9	38.2							24
26	34.9	36.0	31.5t		35.1	35.3	29.4m x						26
28	31.8	33.5	31.3		31.7	32.9	29.5t						28
30	29.1	31.5	29.1		29.4	30.7	28.8						30
32	26.8	29.3	27.2		27.1	28.7	27.0						32
34	32.9m x	27.0	25.3		25.0	26.9	25.3						34
36	25.8t	25.4	23.5	38.7m x	35.9m x	25.4	23.5						36
38		36.4m x	21.9	19.0t	23.2t	23.7	21.9	40.6m x					38
40		24.1t	20.5	18.2		39.3m x	20.5	17.9t	38.8m x				40
42			41.8m x	17.1		21.9t	19.3	17.1	20.8t				42
44			19.4t	16.1			18.1	16.0		42.3m x			44
46				15.2			44.7m x	15.1		19.4t			46
48				14.3			17.7t	14.3					48
50				48.3m x				13.5					50
52				14.2t				51.2m x					52
54								13.1t					54
56													56
58													58
No. of Part Line	5	5	5	5	4	4	4	4	4	4	4	4	No. of Part Line

* For notes about the table above, refer to page 34.

■ Tower 39.60 m



Unit: ton

Tower Length (m)	39.60												Tower Length (m)	
Jib Length (m)	39.60				42.65				45.70				Jib Length (m)	
Tower Angle (°)	88	83	75	65	88	83	75	65	88	83	75	65	Tower Angle (°)	
Working Radius (m)													Working Radius (m)	
12	15.4m x												12	
14	39.0t				16.3m x				17.2m x				14	
16	38.5				33.6t				29.3t				16	
18	37.2				32.6				28.9				18	
20	36.2	22.1m x			31.7	23.3m x			28.1				20	
22	35.5	36.5t			30.9	31.1t			27.3	24.4m x			22	
24	34.9	35.4			30.3	30.8			26.7	27.2t			24	
26	34.5	34.6			29.9	30.0			26.2	26.5			26	
28	32.1	32.9			29.2	29.0			25.9	25.8			28	
30	29.3	30.7	32.5m x		27.3	27.5			25.1	25.3			30	
32	26.8	28.7	25.7t		25.7	26.0			24.0	24.9	35.5m x		32	
34	24.7	26.9	24.5		24.3	24.6	24.3		23.0	23.7	22.8t		34	
36	22.9	25.4	23.0		23.0	23.5	22.8		21.9	22.6	22.4		36	
38	21.3	23.7	21.6		21.6	22.6	21.5		21.0	21.6	21.1		38	
40	19.9	22.2	20.2		20.1	21.6	20.2		19.9	20.7	19.9		40	
42	41.8m x	20.9	19.0	44.6m x	18.8	20.1	19.0		18.6	20.0	18.8		42	
44	18.8t	19.6	17.8	15.4t	17.6	18.8	17.9	46.5m x	17.4	18.6	17.7		44	
46		45.2m x	16.8	14.7	44.7m x	17.6	16.8	14.6t	16.4	17.5	16.6	48.5m x	46	
48		19.0t	15.9	13.9	17.1t	16.3	15.9	13.9	47.7m x	16.4	15.7	13.4t	48	
50			15.3	13.1			48.2m x	15.0	13.1	15.5t	15.3	14.9	12.9	50
52			50.6m x	12.5			16.2t	14.3	12.4		51.1m x	14.1	12.2	52
54			14.8t	11.8				53.6m x	11.8		14.7t	13.4	11.6	54
56				11.2				13.7t	11.2			12.7	11.0	56
58				57.1m x					10.6		56.5m x	10.4		58
60				11.0t					10.1		12.5t	9.9		60
62												9.4		62
64												63.0m x		64
66												9.2t		66
No. of Part Line	3	3	3	3	3	3	3	3	3	3	3	3	No. of Part Line	

Tower Length (m)	39.60												Tower Length (m)
Jib Length (m)	48.75				51.80				54.85				Jib Length (m)
Tower Angle (°)	88	83	75	65	88	83	75	65	88	83	75	65	Tower Angle (°)
Working Radius (m)													Working Radius (m)
14	17.9m x												14
16	25.8t				18.8m x				19.7m x				16
18	25.7				24.5t				21.6t				18
20	25.0				24.0				21.6				20
22	24.3	25.3m x			23.6				21.0				22
24	23.7	23.8t			22.9	26.4m x			20.4	27.5m x			24
26	23.2	23.5			22.3	22.3t			19.8	19.8t			26
28	22.7	22.9			21.5	21.7			19.3	19.6			28
30	22.4	22.4			21.1	21.1			18.7	18.8			30
32	21.5	21.9			20.8	20.7			18.3	18.3			32
34	20.8	21.1	36.7m x		20.4	20.3			18.0	18.0			34
36	20.1	20.4	21.2t		19.9	19.9	38.2m x		17.8	17.7	39.7m x		36
38	19.6	19.7	20.7		19.4	19.4	20.1t		17.7	17.4	17.6t		38
40	19.1	19.2	19.6		18.9	18.8	19.2		17.4	17.3	17.6		40
42	18.5	18.7	18.5		18.3	18.4	18.2		17.1	17.0	17.1		42
44	17.3	18.2	17.5		17.1	18.0	17.2		16.8	16.6	16.8		44
46	16.3	17.4	16.5	49.9m x	16.1	17.2	16.3		16.0	16.3	16.1		46
48	15.3	16.3	15.6	12.7t	15.1	16.1	15.4	51.9m x	15.0	16.0	15.3		48
50	49.9m x	15.3	14.7	12.6	14.2	15.1	14.5	11.8t	14.2	15.1	14.4	53.9m x	50
52	14.4t	14.5	14.0	12.1	13.4	14.3	13.7	11.7	13.4	14.2	13.7	11.0t	52
54		53.4m x	13.2	11.4	52.9m x	13.5	13.0	11.2	12.6	13.4	13.0	10.9	54
56		13.9t	12.6	10.8	13.0t	12.5	12.4	10.6	55.8m x	12.7	12.3	10.5	56
58			12.0	10.3		56.3m x	11.8	10.1	11.9t	11.9	11.7	10.0	58
60			58.8m x	9.8		12.4t	11.2	9.5		59.2m x	11.1	9.5	60
62			11.7t	9.3			61.7m x	9.1		11.5t	10.6	9.0	62
64				8.8			10.7t	8.6			10.1	8.5	64
66				65.2m x				8.2			64.7m x	8.1	66
68				8.6t				7.8			9.9t	7.7	68
70								68.2m x				7.4	70
72								7.8t				71.1m x	72
74												7.2t	74
No. of Part Line	2	2	2	2	2	2	2	2	2	2	2	2	No. of Part Line

* For notes about the table above, refer to page 34.

■ Tower 39.60 m



Unit: ton

Tower Length (m)	39.60								Tower Length (m)
Jib Length (m)	57.90				60.95				Jib Length (m)
Tower Angle (°)	88	83	75	65	88	83	75	65	Tower Angle (°)
Working Radius (m)									Working Radius (m)
18	20.6m x				21.5m x				18
20	19.2t				16.8t				20
22	18.7				16.7				22
24	18.1				16.1				24
26	17.6	28.7m x			15.6	29.8m x			26
28	17.1	17.3t			15.1	15.2t			28
30	16.6	17.3			14.7	15.1			30
32	16.1	16.5			14.2	14.7			32
34	15.4	16.0			13.8	14.1			34
36	14.6	15.5			13.0	13.6			36
38	13.9	14.6	41.2m x		12.3	13.0			38
40	13.2	13.9	15.2t		11.7	12.3	42.8m x		40
42	12.6	13.2	15.1		11.1	11.7	13.2t		42
44	12.1	12.6	14.7		10.6	11.2	13.0		44
46	11.6	12.1	14.2		10.2	10.6	12.6		46
48	11.2	11.6	13.5		9.7	10.2	12.0		48
50	10.8	11.2	12.9		9.4	9.8	11.4		50
52	10.4	10.8	12.3	55.8m x	9.0	9.4	10.8		52
54	10.2	10.5	11.8	10.3t	8.8	9.1	10.4	57.8m x	54
56	10.0	10.2	11.4	10.2	8.5	8.8	9.9	9.6t	56
58	9.8	10.0	10.9	9.7	8.3	8.5	9.5	9.5	58
60	58.7m x	9.8	10.6	9.2	8.2	8.3	9.2	9.1	60
62	9.7t	9.7	10.3	8.8	61.7m x	8.2	8.9	8.6	62
64		62.2m x	9.9	8.3	8.1t	8.1	8.6	8.2	64
66		9.7t	9.4	7.9		65.1m x	8.4	7.8	66
68			67.6m x	7.5		8.1t	8.2	7.4	68
70			9.1t	7.2			8.2	7.0	70
72				6.8			70.5m x	6.7	72
74				6.5			8.1t	6.4	74
76				74.1m x				6.1	76
78				6.5t				77.0m x	78
80								5.9t	80
No. of Part Line	2	2	2	2	2	2	2	2	No. of Part Line

* For notes about the table above, refer to page 34.

■ Tower 42.65 m



Unit: ton

Tower Length (m)	42.65												Tower Length (m)
Jib Length (m)	21.35				24.40				27.45				Jib Length (m)
Tower Angle (°)	88	83	75	65	88	83	75	65	88	83	75	65	Tower Angle (°)
Working Radius (m)													Working Radius (m)
9	10.2m x				11.1m x								9
10	67.5t				66.1t								10
12	67.5	15.6m x			64.7				57.4				12
14	67.5	62.3t			62.1	16.8m x			55.2	17.9m x			14
16	64.4	60.8			60.3	57.2t			53.5	53.1t			16
18	55.3	54.2			55.9	53.6			52.3	52.7			18
20	47.9	48.9			48.5	48.4			48.9	47.6			20
22	42.1	44.6	24.1m x		42.7	44.1	25.6m x		43.1	43.4			22
24	37.4	41.0	37.1t		38.1	40.5	34.4t		38.5	39.8	27.2m x		24
26	24.2m x	37.9	34.2		34.3	37.5	33.8		34.7	36.8	31.8t		26
28	37.0t	27.9m x	31.7		27.2m x	34.8	31.3		31.6	34.2	30.9		28
30		35.3t	29.5		32.3t	32.3	29.2		28.9	31.9	28.8		30
32			27.1	34.1m x		30.9m x	27.1		30.1m x	29.7	26.9		32
34			33.8m x	22.1t		31.2t	25.1		28.7t	33.8m x	25.0		34
36			25.4t	20.7			23.4	20.5		27.8t	23.3		36
38				19.3			36.7m x	19.2			21.7	19.1	38
40				18.0			22.8t	17.9			39.6m x	17.9	40
42				40.7m x				16.8			20.6t	16.8	42
44				17.6t				43.7m x				15.8	44
46								15.2t				14.9	46
48												46.6m x	48
50												14.6t	50
No. of Part Line	5	5	5	5	5	5	5	5	5	5	5	5	No. of Part Line

Unit: ton

Tower Length (m)	42.65												Tower Length (m)
Jib Length (m)	30.50				33.50				36.55				Jib Length (m)
Tower Angle (°)	88	83	75	65	88	83	75	65	88	83	75	65	Tower Angle (°)
Working Radius (m)													Working Radius (m)
10	12.9m x				13.8m x								10
12	52.8t				45.3t				14.6m x				12
14	52.3				45.3				41.2t				14
16	51.5	19.1m x			45.1				41.1				16
18	49.9	47.0t			44.6	20.2m x			40.5	21.3m x			18
20	47.9	45.2			43.4	44.0t			39.8	40.3t			20
22	43.5	41.5			41.3	41.4			38.4	39.3			22
24	38.8	37.3			38.0	37.2			36.2	36.8			24
26	35.1	34.5	28.7m x		35.0	33.6			33.9	33.5			26
28	31.9	32.2	29.6t		31.8	31.1	30.2m x		31.6	30.6	31.7m x		28
30	29.3	30.6	28.4		28.8	29.4	27.9t		29.0	28.7	26.1t		30
32	27.0	28.9	26.5		27.2	28.0	26.1		27.0	27.2	25.7		32
34	33.1m x	27.4	24.8		25.2	26.7	24.5		25.3	25.8	24.1		34
36	25.8t	25.5	23.2		23.5	25.5	23.1		23.4	24.6	22.7		36
38		36.8m x	21.6		23.7	21.5	41.9m x		21.8	23.6	21.4		38
40		24.8t	20.3	17.6		39.7m x	20.2	16.5t	38.9m x	22.0	20.0	43.9m x	40
42			19.0	16.5		22.0t	18.9	16.5	21.0t	20.3	18.8	15.3t	42
44			42.6m x	15.5			17.8	15.5		42.6m x	17.7	15.3	44
46			18.6t	14.6			45.5m x	14.6		19.8t	16.7	14.4	46
48				13.8			17.1t	13.8			15.8	13.6	48
50				49.5m x				13.0			48.5m x	12.9	50
52				13.2t				12.3			15.5t	12.2	52
54								52.5m x				11.6	54
56								12.2t				55.4m x	56
58												11.1t	58
No. of Part Line	4	4	4	4	4	4	4	4	4	4	4	4	No. of Part Line

* For notes about the table above, refer to page 34.

■ Tower 42.65 m



		42.65												Unit: ton	
Tower Length (m)	Jib Length (m)	39.60				42.65				45.70				Tower Length (m)	Jib Length (m)
Tower Angle (°)	Working Radius (m)	88	83	75	65	88	83	75	65	88	83	75	65	Tower Angle (°)	Working Radius (m)
12	15.5m x													12	12
14	37.0t					16.4m x				17.3m x				14	14
16	37.0					32.9t				28.8t				16	16
18	36.6					32.8				28.6				18	18
20	36.1	22.5m x				32.2	23.6m x			27.8				20	20
22	35.3	35.9t				31.4	31.7t			27.0	24.8m x			22	22
24	34.4	35.1				30.8	31.4			26.4	26.7t			24	24
26	32.9	33.4				29.9	30.5			25.9	26.3			26	26
28	31.4	30.3				28.8	28.9			25.6	25.6			28	28
30	29.3	27.8	33.3m x			27.2	27.4			25.1	25.1			30	30
32	27.0	26.0	24.2t			25.5	25.5	34.8m x		24.0	24.7			32	32
34	24.7	24.8	23.7			24.0	23.9	22.6t		22.9	23.5	36.3m x		34	34
36	23.3	23.6	22.3			22.7	22.8	21.8		21.8	22.1	21.6t		36	36
38	21.9	22.7	21.0			21.5	21.9	20.6		20.8	20.9	20.5		38	38
40	20.5	22.1	19.8			20.2	21.1	19.4		19.7	20.0	19.3		40	40
42	41.9m x	20.7	18.6	45.8m x		18.9	20.4	18.4		18.9	19.4	18.3		42	42
44	19.2t	19.4	17.5	14.3t		17.8	19.2	17.3	47.8m x	17.7	18.7	17.3		44	44
46		45.6m x	16.5	14.2	44.8m x	18.0	16.3	13.3t		16.6	17.8	16.3	49.8m x	46	46
48		17.8t	15.6	13.4	17.4t	16.7	15.4	13.1	47.8m x	16.7	16.7	15.4	12.4t	48	48
50			14.7	12.6		48.5m x	14.5	12.4	15.7t	15.7	14.6	12.4		50	50
52			51.4m x	12.0		16.4t	13.8	11.7		51.5m x	13.8	11.7		52	52
54			14.2t	11.3			13.1	11.1		14.9t	13.1	11.1		54	54
56				10.8			54.4m x	10.5			12.4	10.5		56	56
58				10.2			13.0t	10.0			57.3m x	10.0		58	58
60				58.4m x				9.5			12.0t	9.5		60	60
62				10.2t				61.3m x				9.0		62	62
64								9.2t				8.6		64	64
66												64.3m x		66	66
68												8.5t		68	68
No. of Part Line		3	3	3	3	3	3	3	3	3	3	3	3	No. of Part Line	

		42.65												Unit: ton	
Tower Length (m)	Jib Length (m)	48.75				51.80				54.85				Tower Length (m)	Jib Length (m)
Tower Angle (°)	Working Radius (m)	88	83	75	65	88	83	75	65	88	83	75	65	Tower Angle (°)	Working Radius (m)
16						18.9m x				19.8m x				16	16
18	25.5					24.2t				21.3t				18	18
20	24.7					23.8				21.3				20	20
22	24.0	25.6m x				23.0				20.9				22	22
24	23.4	23.5t				22.7	26.8m x			20.2	27.9m x			24	24
26	22.9	23.4				22.1	22.1t			19.7	19.5t			26	26
28	22.5	22.7				21.3	21.5			19.2	19.4			28	28
30	22.2	22.2				20.9	21.0			18.5	18.7			30	30
32	21.5	21.7				20.4	20.5			18.1	18.2			32	32
34	20.6	21.0	37.5m x			19.7	19.9			17.9	17.8			34	34
36	19.8	20.1	20.3t			19.2	19.2	39.0m x		17.6	17.5			36	36
38	19.1	19.2	20.1			18.7	18.7	19.0t		17.3	17.3	40.5m x		38	38
40	18.5	18.5	19.0			18.2	18.2	18.6		16.9	16.8	17.4t		40	40
42	18.0	18.0	18.0			17.9	17.7	17.6		16.5	16.4	17.1		42	42
44	17.6	17.5	17.1			17.4	17.3	16.7		16.2	16.0	16.5		44	44
46	16.5	17.2	16.2			16.3	17.0	15.8		15.9	15.7	15.6		46	46
48	15.5	16.6	15.3	51.2m x		15.3	16.4	15.0		15.2	15.4	14.8		48	48
50	14.6	15.6	14.4	11.7t		14.4	15.4	14.2	53.2m x	14.4	15.2	14.1		50	50
52		14.7	13.7	11.6		13.6	14.5	13.5	10.9t	13.6	14.5	13.4	55.2m x	52	52
54		53.7m x	13.0	11.0	53.0m x	13.7	12.8	10.7		12.8	13.6	12.7	10.2t	54	54
56		13.8t	12.3	10.4	13.2t	12.8	12.1	10.1	55.9m x	12.9	12.0	10.0		56	56
58			11.7	9.9		56.7m x	11.5	9.6		12.1t	12.2	11.4	9.5	58	58
60			59.6m x	9.4		12.5t	10.9	9.1			59.6m x	10.9	9.0	60	60
62			11.2t	8.9			10.4	8.7			10.6t	10.3	8.6	62	62
64				8.5			62.5m x	8.2				9.9	8.1	64	64
66				8.1			10.3t	7.8				65.4m x	7.7	66	66
68				66.5m x				7.5				9.6t	7.4	68	68
70				8.0t				69.4m x					7.0	70	70
72								7.2t					6.7	72	72
74													72.4m x	74	74
76													6.6t	76	76
No. of Part Line		2	2	2	2	2	2	2	2	2	2	2	2	No. of Part Line	

* For notes about the table above, refer to page 34.

■ Tower 42.65 m



Unit: ton

Tower Length (m)	42.65								Tower Length (m)
Jib Length (m)	57.90				60.95				Jib Length (m)
Tower Angle (°)	88	83	75	65	88	83	75	65	Tower Angle (°)
Working Radius (m)									Working Radius (m)
18	20.7m x				21.6m x				18
20	18.8t				16.7t				20
22	18.6				16.5				22
24	18.0				16.0				24
26	17.4	29.1m x			15.5				26
28	16.9	17.2t			15.0	30.2m x			28
30	16.5	17.0			14.6	15.0t			30
32	15.9	16.4			14.1	14.6			32
34	15.4	15.8			13.7	14.0			34
36	14.6	15.4			13.0	13.5			36
38	13.9	14.7			12.3	13.1			38
40	13.2	14.0			11.7	12.4	43.6m x		40
42	12.6	13.3	15.0		11.1	11.8	13.0t		42
44	12.1	12.7	14.7		10.6	11.2	12.9		44
46	11.6	12.1	14.4		10.2	10.7	12.6		46
48	11.2	11.7	13.7		9.7	10.2	12.2		48
50	10.8	11.2	13.1		9.4	9.8	11.6		50
52	10.4	10.8	12.5		9.0	9.4	11.0		52
54	10.2	10.5	12.0	57.1m x	8.8	9.1	10.5		54
56	9.9	10.2	11.5	9.4t	8.5	8.8	10.1	59.1m x	56
58	9.8	10.0	11.1	9.3	8.3	8.5	9.7	8.8t	58
60	58.8m x	9.8	10.7	8.8	8.2	8.3	9.3	8.6	60
62	9.7t	9.7	10.1	8.3	61.8m x	8.2	9.0	8.2	62
64		62.6m x	9.7	7.9	8.1t	8.1	8.7	7.8	64
66		9.7t	9.2	7.5		65.5m x	8.5	7.4	66
68			8.8	7.1		8.0t	8.3	7.0	68
70			68.4m x	6.8			8.2	6.6	70
72			8.7t	6.5			71.3m x	6.3	72
74				6.2			8.0t	6.0	74
76				75.3m x				5.7	76
78				6.0t				5.4	78
80								78.3m x	80
82								5.4t	82
No. of Part Line	2	2	2	2	2	2	2	2	No. of Part Line

* For notes about the table above, refer to page 34.

■ Tower 45.70 m



													Unit: ton	
Tower Length (m)	45.70												Tower Length (m)	
Jib Length (m)	21.35				24.40				27.45				Jib Length (m)	
Tower Angle (°)	88	83	75	65	88	83	75	65	88	83	75	65	Tower Angle (°)	
Working Radius (m)													Working Radius (m)	
9	10.3m x				11.2m x								9	
10	67.5t				65.3t				12.1m x				10	
12	67.5				64.1				56.7t				12	
14	67.4				61.6	17.2m x			54.6				14	
16	62.9	59.6			59.8	54.8t			52.9	18.3m x			16	
18	55.7	53.2			55.9	52.4			51.8	50.6t			18	
20	48.2	48.1			48.8	47.4			49.3	46.6			20	
22	42.4	43.9	24.9m x		42.9	43.2			43.4	42.5			22	
24	37.7	40.3	34.1t		38.3	39.7	26.4m x		38.7	39.0			24	
26	24.3m x	37.3	33.3		34.5	36.7	32.4t		34.9	36.0			26	
28	37.0t	34.8	30.9		27.3m x	34.1	30.4		31.7	33.5	29.9		28	
30		28.3m x	28.8		32.3t	31.9	28.3		29.0	31.3	27.9		30	
32		34.5t	26.8	35.4m x		31.2m x	26.5		30.2m x	29.4	26.1		32	
34			24.8	20.6t		30.6t	24.7	37.3m x	28.7t	27.3	24.5		34	
36			34.5m x	20.1			23.0	19.0t		34.2m x	22.9	39.3m x	36	
38			24.3t	18.7			37.5m x	18.6		27.1t	21.3	17.6t	38	
40				17.5			21.8t	17.3			20.0	17.2	40	
42				16.4				16.3			40.4m x	16.2	42	
44								15.3			19.7t	15.2	44	
46								44.9m x				14.3	46	
48								14.8t				47.9m x	48	
50												13.6t	50	
No. of Part Line	5	5	5	5	5	5	5	5	5	5	5	5	No. of Part Line	

													Unit: ton	
Tower Length (m)	45.70												Tower Length (m)	
Jib Length (m)	30.50				33.50				36.55				Jib Length (m)	
Tower Angle (°)	88	83	75	65	88	83	75	65	88	83	75	65	Tower Angle (°)	
Working Radius (m)													Working Radius (m)	
10	13.0m x				13.9m x								10	
12	49.1t				41.3t				14.7m x				12	
14	48.4				40.5				38.5t				14	
16	47.5	19.4m x			40.5				38.5				16	
18	46.7	43.8t			40.5	20.6m x			38.4	21.7m x			18	
20	45.9	43.2			40.5	41.1t			38.2	38.3t			20	
22	43.8	41.3			39.2	41.1			36.8	38.0			22	
24	39.1	37.1			37.1	37.1			35.1	36.4			24	
26	35.2	33.5	29.5m x		35.0	33.5			33.4	33.3			26	
28	32.1	31.0	28.0t		31.9	30.6	31.0m x		31.3	30.3			28	
30	29.1	29.0	27.5		29.1	28.5	26.3t		29.1	27.8	32.5m x		30	
32	27.1	27.6	25.7		26.8	26.8	25.3		26.5	26.0	24.6t		32	
34	33.2m x	26.4	24.1		25.3	25.6	23.8		24.7	24.5	23.4		34	
36	25.8t	25.5	22.7		23.6	24.5	22.4		23.4	23.5	22.0		36	
38		37.1m x	21.2	41.3m x	36.1m x	23.7	21.1		21.8	22.8	20.8		38	
40		24.5t	19.9	16.3t	23.5t	22.2	19.8	43.2m x	39.0m x	22.1	19.6		40	
42			18.7	16.0		40.1m x	18.6	15.3t	21.0t	20.6	18.5	45.2m x	42	
44			43.4m x	15.0		22.1t	17.5	14.9		43.0m x	17.4	14.2t	44	
46			17.8t	14.1			16.5	14.0		19.9t	16.4	13.9	46	
48				13.3			46.3m x	13.3			15.5	13.1	48	
50				12.6			16.4t	12.5			49.3m x	12.4	50	
52				50.8m x				11.9			14.9t	11.7	52	
54				12.3t				53.8m x				11.1	54	
56								11.3t				10.5	56	
58												56.7m x	58	
60												10.3t	60	
No. of Part Line	4	4	4	4	4	4	4	4	3	3	3	3	No. of Part Line	

* For notes about the table above, refer to page 34.

■ Tower 45.70 m



Unit: ton

Tower Length (m)	45.70												Tower Length (m)
Jib Length (m)	39.60				42.65				45.70				Jib Length (m)
Tower Angle (°)	88	83	75	65	88	83	75	65	88	83	75	65	Tower Angle (°)
Working Radius (m)													Working Radius (m)
12	15.6m x												12
14	35.9t				16.5m x				17.4m x				14
16	35.9				32.2t				28.4t				16
18	35.5				31.9				28.3				18
20	34.6	22.9m x			31.0				27.5				20
22	33.9	34.4t			30.2				26.7	25.1m x			22
24	33.2	33.8			29.6	30.3			26.1	26.5t			24
26	31.9	33.0			29.2	29.5			25.6	26.1			26
28	30.7	30.1			28.5	28.8			25.2	25.4			28
30	29.3	27.7			27.2	27.4			25.0	24.9			30
32	27.1	25.7	34.1m x		25.5	25.5	35.6m x		24.0	24.4			32
34	24.8	24.1	23.2t		23.8	23.5	21.7t		22.9	23.4	37.1m x		34
36	23.2	22.7	21.9		22.3	22.1	21.4		21.8	21.9	20.4t		36
38	21.8	21.9	20.6		21.0	21.0	20.2		20.8	20.5	19.8		38
40	20.6	21.3	19.5		20.1	20.2	19.1		19.6	19.3	18.7		40
42	19.3	20.6	18.5		19.1	19.5	18.1		18.6	18.5	17.7		42
44		19.5	17.4	47.1m x	17.9	19.0	17.2		17.7	18.0	16.8		44
46		18.0	16.4	13.5t	44.9m x	18.1	16.2	49.1m x	16.6	17.5	15.9		46
48			15.5	13.1	17.3t	16.8	15.3	12.4t	47.9m x	16.8	15.1	51.1m x	48
50			14.7	12.4		48.9m x	14.5	12.1	15.7t	15.8	14.3	11.5t	50
52			13.9	11.7		16.3t	13.7	11.5		51.9m x	13.5	11.2	52
54			52.2m x	11.1			13.0	10.9		14.5t	12.8	10.6	54
56			13.8t	10.5			55.2m x	10.3			12.2	10.1	56
58				10.0			12.6t	9.8			11.5	9.6	58
60				59.7m x				9.3			58.1m x	9.1	60
62				9.6t				8.8			11.5t	8.6	62
64								62.6m x				8.2	64
66								8.7t				65.6m x	66
68												7.8t	68
No. of Part Line	3	3	3	3	3	3	3	3	3	3	3	3	No. of Part Line

Tower Length (m)	45.70												Tower Length (m)
Jib Length (m)	48.75				51.80				54.85				Jib Length (m)
Tower Angle (°)	88	83	75	65	88	83	75	65	88	83	75	65	Tower Angle (°)
Working Radius (m)													Working Radius (m)
16	18.1m x				19.0m x				19.9m x				16
18	25.2t				24.0t				21.1t				18
20	24.5				23.6				21.1				20
22	23.7				22.8				20.4				22
24	23.1				22.2	27.1m x			20.0				24
26	22.6	23.2			21.9	21.2t			19.5	28.3m x			26
28	22.2	22.6			21.0	21.2			19.0	19.2t			28
30	21.9	22.0			20.3	20.1			18.3	18.7			30
32	21.4	21.5			19.6	19.5			18.0	18.1			32
34	20.6	20.8			19.0	19.1			17.6	17.7			34
36	19.8	19.6	38.2m x		18.4	18.5	39.8m x		17.1	17.2			36
38	19.0	18.6	19.2t		17.9	17.9	18.0t		16.6	16.7	41.3m x		38
40	18.3	17.8	18.4		17.5	17.4	17.9		16.2	16.2	17.0t		40
42	17.7	17.2	17.4		17.1	17.0	17.0		15.9	15.8	16.8		42
44	17.1	16.7	16.5		16.8	16.6	16.1		15.6	15.4	15.9		44
46	16.5	16.5	15.7		16.3	16.2	15.3		15.3	15.1	15.1		46
48	15.6	16.1	14.9		15.4	15.9	14.5		15.1	14.8	14.3		48
50	14.7	15.7	14.1	52.5m x	14.5	15.5	13.8		14.4	14.6	13.6		50
52	50.1m x	14.8	13.4	10.8t	13.6	14.6	13.2	54.5m x	13.6	14.4	13.0		52
54	14.6t	13.9	12.7	10.5	53.1m x	13.8	12.5	10.0t	12.8	13.7	12.4	56.4m x	54
56		54.1m x	12.0	9.9	13.2t	13.0	11.8	9.7	12.1	13.0	11.7	9.4t	56
58		13.8t	11.4	9.4		57.0m x	11.2	9.2		12.3	11.1	9.1	58
60			10.9	8.9		12.6t	10.7	8.7		11.3	10.6	8.6	60
62			60.3m x	8.5			10.2	8.2			10.1	8.1	62
64			10.8t	8.1			63.3m x	7.8			9.6	7.7	64
66				7.7			9.8t	7.4			9.2	7.3	66
68				67.8m x				7.1			66.2m x	7.0	68
70				7.3t				6.7			9.1t	6.6	70
72								70.7m x				6.3	72
74								6.6t				73.7m x	74
76												6.1t	76
No. of Part Line	2	2	2	2	2	2	2	2	2	2	2	2	No. of Part Line

* For notes about the table above, refer to page 34.

■ Tower 45.70 m



		45.70								Unit: ton	
Tower Length (m)									Tower Length (m)		
Jib Length (m)	57.90				60.95				Jib Length (m)		
Tower Angle (°)	88	83	75	65	88	83	75	65	Tower Angle (°)		
Working Radius (m)									Working Radius (m)		
18	20.8m x				21.7m x					18	
20	18.5t				16.6t					20	
22	18.3				16.4					22	
24	17.8				15.8					24	
26	17.3	29.4m x			15.3					26	
28	16.8	17.0t			14.9	30.6m x				28	
30	16.4	16.9			14.5	14.9t				30	
32	15.8	16.4			14.1	14.5				32	
34	15.5	15.7			13.6	14.0				34	
36	14.7	15.2			13.0	13.5				36	
38	13.9	14.8			12.3	13.1				38	
40	13.2	14.1	42.8m x		11.7	12.5				40	
42	12.6	13.4	14.9t		11.2	11.8	44.3m x			42	
44	12.1	12.8	14.7		10.6	11.3	12.9t			44	
46	11.6	12.2	14.3		10.2	10.7	12.6			46	
48	11.2	11.7	14.0		9.7	10.3	12.3			48	
50	10.8	11.2	13.3		9.4	9.8	11.8			50	
52	10.4	10.9	12.6		9.0	9.4	11.2			52	
54	10.2	10.5	12.1		8.7	9.1	10.7			54	
56	9.9	10.2	11.5	58.4m x	8.5	8.8	10.2			56	
58	9.8	10.0	10.9	8.7t	8.3	8.5	9.8	60.4m x		58	
60	59.0m x	9.8	10.4	8.4	8.2	8.3	9.4	8.0t		60	
62	9.7t	9.7	9.9	7.9	61.9m x	8.3	9.1	7.7		62	
64		62.9m x	9.4	7.5	8.1t	8.1	8.8	7.3		64	
66		9.7t	9.0	7.1		65.9m x	8.5	7.0		66	
68			8.5	6.8		8.1t	8.3	6.6		68	
70			69.2m x	6.4			8.0	6.3		70	
72			8.3t	6.1			7.7	5.9		72	
74				5.8			72.1m x	5.6		74	
76				5.5			7.6t	5.4		76	
78				76.6m x				5.1		78	
80				5.4t				79.6m x		80	
82								4.9t		82	
No. of Part Line	2	2	2	2	2	2	2	2	No. of Part Line		

* For notes about the table above, refer to page 34.

■ Tower 48.75 m



Unit: ton

Tower Length (m)	48.75												Tower Length (m)
Jib Length (m)	21.35				24.40				27.45				Jib Length (m)
Tower Angle (°)	88	83	75	65	88	83	75	65	88	83	75	65	Tower Angle (°)
Working Radius (m)													Working Radius (m)
9	10.4m x				11.3m x								9
10	67.5t				64.6t				12.2m x				10
12	67.1				63.6				54.0t				12
14	62.1	16.4m x			59.6	17.5m x			54.0				14
16	58.2	56.8t			55.7	52.7t			52.4	18.7m x			16
18	54.8	52.0			52.6	51.2			50.2	48.5t			18
20	48.6	47.0			49.2	46.3			47.7	45.5			20
22	42.7	42.9	25.7m x		43.2	42.2			43.7	41.5			22
24	37.9	39.4	32.6t		38.5	38.8	27.2m x		38.9	38.1			24
26	24.4m x	36.5	32.2		34.7	35.9	29.7t		35.1	35.3	28.7m x		26
28	37.0t	34.1	29.8		27.4m x	33.4	29.4		31.9	32.8	28.3t		28
30		28.7m x	27.8		32.3t	31.3	27.3		29.1	30.6	27.0		30
32		33.4t	26.0			31.6m x	25.6		30.3m x	28.7	25.2		32
34			24.3	36.7m x		29.8t	24.0		28.7t	27.1	23.7		34
36			35.3m x	18.9t			22.5	38.6m x		34.6m x	22.3		36
38			23.1t	18.0			21.0	17.5t		26.6t	20.9	40.6m x	38
40				16.8			38.3m x	16.6			19.6	16.2t	40
42				15.8			20.7t	15.6			41.2m x	15.5	42
44				43.3m x				14.7			18.9t	14.6	44
46				15.1t				13.8				13.7	46
48								46.2m x				13.0	48
50								13.7t				49.2m x	50
52												12.5t	52
No. of Part Line	5	5	5	5	5	5	5	5	4	4	4	4	No. of Part Line

Unit: ton

Tower Length (m)	48.75												Tower Length (m)
Jib Length (m)	30.50				33.50				36.55				Jib Length (m)
Tower Angle (°)	88	83	75	65	88	83	75	65	88	83	75	65	Tower Angle (°)
Working Radius (m)													Working Radius (m)
10	13.1m x												10
12	46.7t								14.9m x				12
14	46.4				40.5				37.9t				14
16	45.9	19.8m x			40.5				37.9				16
18	45.6	42.3t			40.5	20.9m x			37.7				18
20	43.6	42.1			40.3	40.8t			37.1	22.1m x			20
22	41.5	41.0			37.7	40.1			35.4	37.6t			22
24	38.6	36.9			35.2	36.8			33.8	35.7			24
26	35.4	33.3			33.1	33.3			32.2	33.1			26
28	32.2	30.3	30.3m x		30.3	30.3	31.8m x		29.9	30.1			28
30	28.8	27.8	26.3t		27.9	27.8	24.7t		28.0	27.6	33.3m x		30
32	25.8	25.8	24.8		25.6	25.8	24.5		25.9	25.6	23.2t		32
34	33.3m x	24.6	23.2		24.3	24.4	23.0		24.0	23.8	22.6		34
36	24.9t	24.2	21.9		23.3	23.2	21.6		22.6	22.5	21.3		36
38		37.5m x	20.6		36.2m x	22.4	20.4		21.5	21.6	20.0		38
40		24.0t	19.5	42.5m x	23.2t	21.9	19.3		39.2m x	20.9	18.9		40
42			18.3	15.1t		40.4m x	18.2	44.5m x	21.2t	20.6	18.0		42
44			17.2	14.4		21.7t	17.1	14.2t		43.4m x	17.0	46.5m x	44
46			44.2m x	13.5			16.1	13.5		19.7t	16.0	13.1t	46
48			17.0t	12.7			47.1m x	12.7			15.1	12.5	48
50				12.0			15.6t	12.0			14.3	11.8	50
52				11.4				11.4			50.1m x	11.2	52
54				52.1m x				10.8			14.3t	10.6	54
56				11.3t				55.1m x				10.1	56
58								10.4t				9.5	58
No. of Part Line	4	4	4	4	3	3	3	3	3	3	3	3	No. of Part Line

* For notes about the table above, refer to page 34.

■ Tower 48.75 m



		48.75												Unit: ton	
Tower Length (m)	Jib Length (m)	39.60				42.65				45.70				Tower Length (m)	Jib Length (m)
Tower Angle (°)	Working Radius (m)	88	83	75	65	88	83	75	65	88	83	75	65	Tower Angle (°)	Working Radius (m)
12	15.7m x													12	12
14	34.5t					16.6m x				17.5m x				14	14
16	34.5					31.1t				27.6t				16	16
18	34.2					30.9				27.6				18	18
20	33.8	23.2m x				30.6				27.1				20	20
22	33.2	34.0t				29.9	24.4m x			26.4	25.5m x			22	22
24	32.4	33.6				29.3	29.9t			25.8	26.2t			24	24
26	31.3	32.2				28.8	29.2			25.3	25.9			26	26
28	29.6	29.9				27.7	28.4			24.9	25.2			28	28
30	28.0	27.5				26.5	27.0			24.7	24.6			30	30
32	26.1	25.5	34.8m x			24.9	25.1			23.9	24.2			32	32
34	24.2	23.5	22.0t			23.5	23.4	36.4m x		22.9	23.2	37.9m x		34	34
36	22.6	22.0	21.1			22.2	21.8	20.5t		21.8	21.7	19.2t		36	36
38	21.2	20.7	19.9			20.9	20.3	19.5		20.8	20.1	19.1		38	38
40	20.2	19.8	18.9			19.8	19.1	18.5		19.5	18.8	18.0		40	40
42	19.3	19.4	17.9			18.8	18.5	17.5		18.4	17.8	17.1		42	42
44	42.1m x	19.1	17.0			18.0	18.0	16.6		17.6	17.0	16.2		44	44
46	19.2t	18.3	16.1	48.4m x	45.0m x	17.6	15.8			16.7	16.6	15.4		46	46
48		46.3m x	15.2	12.4t	17.7t	17.0	15.0	50.4m x		15.7	16.2	14.6		48	48
50		18.1t	14.3	11.9		49.3m x	14.2	11.4t			16.0	13.9	52.3m x	50	50
52			13.6	11.2		16.6t	13.4	11.0			15.2	13.2	10.7t	52	52
54			53.0m x	10.6			12.7	10.4			52.2m x	12.5	10.1	54	54
56			13.3t	10.1			55.9m x	9.8			15.0t	11.9	9.6	56	56
58				9.5			12.1t	9.3				11.3	9.1	58	58
60				9.1				8.8				58.9m x	8.6	60	60
62			61.0m x					8.4				11.0t	8.2	62	62
64			8.9t						63.9m x				7.8	64	64
66									8.0t				7.4	66	66
68													66.8m x	68	68
70													7.2t	70	70
No. of Part Line		3	3	3	3	3	3	3	3	3	3	3	3	No. of Part Line	

		48.75												Unit: ton	
Tower Length (m)	Jib Length (m)	48.75				51.80				54.85				Tower Length (m)	Jib Length (m)
Tower Angle (°)	Working Radius (m)	88	83	75	65	88	83	75	65	88	83	75	65	Tower Angle (°)	Working Radius (m)
16	18.2m x					19.1m x								16	16
18	24.1t					23.7t								18	18
20	24.1					23.3				20.6				20	20
22	23.5					22.6				20.2				22	22
24	22.9	26.4m x				21.9	27.5m x			19.6				24	24
26	22.4	22.9t				21.3	21.0t			19.2	28.7m x			26	26
28	22.0	22.4				20.7	21.0			18.8	19.1t			28	28
30	21.7	21.8				19.8	19.9			18.1	18.6			30	30
32	21.4	21.3				18.8	19.0			17.4	17.7			32	32
34	20.4	20.7				18.1	18.2			16.9	17.0			34	34
36	19.3	19.4	39.0m x			17.6	17.6			16.4	16.4			36	36
38	18.3	18.2	18.1t			17.1	17.1	40.6m x		15.9	15.9			38	38
40	17.5	17.2	17.7			16.6	16.6	16.9t		15.5	15.5	42.1m x		40	40
42	16.8	16.4	16.8			16.2	16.1	16.4		15.1	15.0	16.0t		42	42
44	16.3	15.8	15.9			15.9	15.7	15.5		14.8	14.7	15.3		44	44
46	15.9	15.3	15.1			15.6	15.4	14.7		14.6	14.3	14.5		46	46
48	15.6	15.1	14.4			15.4	15.1	14.0		14.3	14.1	13.8		48	48
50	14.7	14.9	13.7	53.8m x		14.5	14.8	13.3		14.1	13.8	13.1		50	50
52	50.2m x	14.9	13.0	10.0t		13.7	14.7	12.7	55.8m x	13.6	13.6	12.5		52	52
54	14.6t	13.8	12.4	9.9	53.2m x	13.9	12.1	9.1t		12.9	13.5	11.9	57.7m x	54	54
56		54.5m x	11.7	9.4	13.2t	13.0	11.5	9.0		12.2	13.1	11.4	8.5t	56	56
58		13.6t	11.2	8.9		57.4m x	11.0	8.7	56.1m x	12.3	10.9	8.4		58	58
60			10.6	8.5		12.5t	10.4	8.2	12.1t	11.3	10.3	8.1		60	60
62			61.1m x	8.0			9.9	7.8		60.4m x	9.8	7.7		62	62
64			10.3t	7.6			9.4	7.4		11.2t	9.3	7.3		64	64
66				7.3			64.1m x	7.0			8.9	6.9		66	66
68				6.9			9.4t	6.7			67.0m x	6.6		68	68
70			69.1m x	6.7t				6.3			8.7t	6.2		70	70
72								6.0				5.9		72	72
74												5.6		74	74
76												75.0m x		76	76
78												5.5t		78	78
No. of Part Line		2	2	2	2	2	2	2	2	2	2	2	2	No. of Part Line	

* For notes about the table above, refer to page 34.

■ Tower 48.75 m



Unit: ton

Tower Length (m)	48.75								Tower Length (m)
Jib Length (m)	57.90				60.95				Jib Length (m)
Tower Angle (°)	88	83	75	65	88	83	75	65	Tower Angle (°)
Working Radius (m)									Working Radius (m)
18	20.9m x				21.8m x				18
20	18.3t				16.2t				20
22	18.0				16.2				22
24	17.6				15.7				24
26	17.1	29.8m x			15.2				26
28	16.6	16.8t			14.7	30.9m x			28
30	16.2	16.8			14.3	14.7t			30
32	15.6	16.3			14.0	14.5			32
34	15.3	15.7			13.5	13.9			34
36	14.7	15.1			13.1	13.3			36
38	13.9	14.7			12.4	13.0			38
40	13.3	14.1	43.6m x		11.7	12.6			40
42	12.7	13.4	14.6t		11.2	11.9	45.1m x		42
44	12.1	12.8	14.6		10.6	11.3	12.7t		44
46	11.6	12.2	14.1		10.2	10.8	12.6		46
48	11.2	11.7	13.4		9.8	10.3	12.3		48
50	10.8	11.3	12.8		9.4	9.9	12.0		50
52	10.4	10.9	12.1		9.0	9.5	11.4		52
54	10.1	10.5	11.6		8.7	9.1	10.9		54
56	9.9	10.2	11.0	59.7m x	8.5	8.8	10.4		56
58	9.8	10.0	10.5	7.8t	8.3	8.6	9.9	61.6m x	58
60	59.1m x	9.8	10.1	7.7	8.1	8.3	9.5	7.2t	60
62	9.7t	9.6	9.6	7.4	8.1	8.2	9.2	7.1	62
64		63.3m x	9.2	7.0		8.1	8.9	6.8	64
66		9.5t	8.7	6.7		7.7	8.6	6.5	66
68			8.3	6.3		66.2m x	8.2	6.2	68
70			7.9	6.0		7.7t	7.8	5.9	70
72				5.7			7.4	5.6	72
74				5.4			72.9m x	5.3	74
76				5.1			7.3t	5.0	76
78				77.9m x				4.7	78
80				4.9t				4.5	80
82								80.9m x	82
84								4.4t	84
No. of Part Line	2	2	2	2	2	2	2	2	No. of Part Line

* For notes about the table above, refer to page 34.

■ Tower 51.80 m



Unit: ton

Tower Length (m)	51.80												Tower Length (m)
Jib Length (m)	21.35				24.40				27.45				Jib Length (m)
Tower Angle (°)	88	83	75	65	88	83	75	65	88	83	75	65	Tower Angle (°)
Working Radius (m)													Working Radius (m)
9	10.5m x				11.4m x								9
10	66.2t				54.0t				12.3m x				10
12	61.7				54.0				54.0t				12
14	57.0	16.8m x			54.0	17.9m x			52.3				14
16	53.2	54.3t			51.2	50.3t			48.9	19.0m x			16
18	50.2	50.9			48.2	50.1			46.1	46.7t			18
20	47.6	46.0			45.8	45.3			43.7	44.9			20
22	42.9	42.0			43.5	41.3			41.8	40.9			22
24	38.1	38.6	26.5m x		38.7	38.0			39.2	37.7			24
26	24.5m x	35.7	30.7t		34.8	35.2			35.3	34.8	29.5m x		26
28	37.0t	33.3	29.0		27.5m x	32.7	28.5		32.0	32.4	26.9t		28
30		29.0m x	27.0		32.3t	30.6	26.6		29.3	30.3	26.3		30
32		32.3t	25.3			28.8	24.8		30.4m x	28.4	24.6		32
34			23.8				23.3		28.7t	26.8	23.1		34
36			22.3				22.0	39.9m x		34.9m x	21.7		36
38			36.1m x	17.5			20.7	16.1t		26.2t	20.5	41.9m x	38
40			22.2t	16.3			39.1m x	16.1			19.4	15.1t	40
42				15.3			19.9t	15.1			18.2	15.1	42
44				14.4				14.2				14.2	44
46				44.6m x				13.4				13.3	46
48				14.1t				47.5m x				12.6	48
50								12.8t				11.9	50
52												50.5m x	52
54												11.7t	54
No. of Part Line	5	5	5	5	4	4	4	4	4	4	4	4	No. of Part Line

Tower Length (m)	51.80												Tower Length (m)
Jib Length (m)	30.50				33.50				36.55				Jib Length (m)
Tower Angle (°)	88	83	75	65	88	83	75	65	88	83	75	65	Tower Angle (°)
Working Radius (m)													Working Radius (m)
10	13.2m x												10
12	44.5t				14.1m x				15.0m x				12
14	40.5				41.3t				37.3t				14
16	40.5				40.5				37.3				16
18	40.5	20.2m x			40.3	21.3m x			37.1				18
20	40.2	40.9t			38.3	38.2t			36.0	22.5m x			20
22	38.4	39.1			36.3	37.4			34.1	35.1t			22
24	36.1	36.7			33.5	35.4			32.6	33.7			24
26	33.5	33.1			31.2	33.1			31.0	32.2			26
28	31.1	30.1	31.1m x		28.9	30.1			28.7	29.9			28
30	28.6	27.6	24.8t		27.0	27.6	32.6m x		26.9	27.5			30
32	26.0	25.6	24.1		25.2	25.6	23.3t		25.2	25.5	34.1m x		32
34	33.4m x	23.6	22.6		23.6	23.6	22.5		23.6	23.5	21.9t		34
36	24.4t	22.4	21.2		22.2	22.1	21.1		21.4	21.9	20.6		36
38		37.9m x	20.1		36.3m x	20.8	19.9		20.0	20.6	19.4		38
40		20.8t	19.0	43.8m x	21.6t	20.3	18.8		39.3m x	19.6	18.3		40
42			18.0	14.0t		40.8m x	17.9	45.8m x	19.7t	19.1	17.4		42
44			16.9	13.9		20.2t	16.9	13.0t		43.8m x	16.5	47.7m x	44
46			45.0m x	13.1			16.0	12.9		19.0t	15.7	12.2t	46
48			16.3t	12.3			47.9m x	12.2			14.8	12.0	48
50				11.6			15.0t	11.5			14.0	11.3	50
52				11.0				10.9			50.8m x	10.7	52
54				53.4m x				10.3			13.7t	10.1	54
56				10.5t				9.8				9.6	56
58								56.4m x				9.1	58
60								9.7t				59.3m x	60
62												8.9t	62
No. of Part Line	4	4	4	4	4	4	4	4	3	3	3	3	No. of Part Line

* For notes about the table above, refer to page 34.

■ Tower 51.80 m



Unit: ton

Tower Length (m)	51.80												Tower Length (m)
Jib Length (m)	39.60				42.65				45.70				Jib Length (m)
Tower Angle (°)	88	83	75	65	88	83	75	65	88	83	75	65	Tower Angle (°)
Working Radius (m)													Working Radius (m)
12	15.9m x												12
14	33.3t				16.7m x				17.6m x				14
16	33.3				29.9t				26.7t				16
18	32.9				29.7				26.7				18
20	32.5	23.6m x			29.4				26.4				20
22	32.1	32.0t			29.1	24.7m x			26.1	25.9m x			22
24	31.2	31.6			28.7	29.5t			25.5	25.7t			24
26	30.1	30.2			28.1	28.6			25.0	25.7			26
28	28.6	29.0			26.9	27.4			24.6	25.0			28
30	26.8	27.4			25.9	26.4			24.3	24.4			30
32	25.1	25.3	35.6m x		24.5	24.8			23.9	23.9			32
34	23.6	23.4	20.8t		23.2	23.2	37.2m x		22.9	23.1			34
36	22.3	21.8	20.5		22.0	21.7	19.3t		21.9	21.6	38.7m x		36
38	21.0	20.2	19.3		20.9	20.1	18.9		20.9	20.0	18.1t		38
40	19.6	19.0	18.3		19.4	18.9	17.8		19.5	18.8	17.4		40
42	18.6	18.3	17.3		18.0	17.8	16.9		18.3	17.6	16.5		42
44	42.2m x	17.8	16.4		17.1	17.0	16.0		17.1	16.6	15.6		44
46	18.3t	17.4	15.6	49.7m x	45.1m x	16.6	15.2		16.2	15.8	14.9		46
48		46.7m x	14.9	11.5t	16.4	14.5	51.7m x		15.7	15.4	14.1		48
50		17.3t	14.1	11.4	49.7m x	13.8	10.5t		48.1m x	15.0	13.5	53.6m x	50
52			13.3	10.7	16.3t	13.1	10.5		15.6t	14.6	12.8	9.8t	52
54			53.8m x	10.2		12.4	9.9			52.6m x	12.2	9.6	54
56			12.7t	9.6		11.8	9.4			14.4t	11.6	9.1	56
58				9.1		56.7m x	8.9				11.0	8.7	58
60				8.7		11.6t	8.4				59.7m x	8.2	60
62				8.2			8.0				10.6t	7.8	62
64				62.2m x			7.6					7.4	64
66				8.2t			65.2m x					7.0	66
68							7.4t					6.7	68
70												68.1m x	70
72												6.6t	72
No. of Part Line	3	3	3	3	3	3	3	3	2	2	2	2	No. of Part Line

Unit: ton

Tower Length (m)	51.80												Tower Length (m)
Jib Length (m)	48.75				51.80				54.85				Jib Length (m)
Tower Angle (°)	88	83	75	65	88	83	75	65	88	83	75	65	Tower Angle (°)
Working Radius (m)													Working Radius (m)
16	18.3m x				19.2m x								16
18	24.1t				23.4t				20.1m x				18
20	23.9				23.1				20.7t				20
22	23.2				22.0				20.0				22
24	22.6	26.7m x			21.0	27.9m x			19.4				24
26	22.1	22.6t			20.7	20.9t			18.8	29.0m x			26
28	21.7	22.2			20.4	20.9			18.5	19.0t			28
30	21.4	21.6			19.7	19.8			18.0	18.5			30
32	21.2	21.1			18.7	18.9			17.2	17.6			32
34	20.2	20.6			17.8	18.0			16.4	16.7			34
36	19.2	19.3	39.8m x		17.0	17.1			15.9	15.9			36
38	18.3	18.1	17.1t		16.4	16.4	41.3m x		15.3	15.2			38
40	17.3	17.1	17.0		15.8	15.7	16.0t		14.7	14.7	42.9m x		40
42	16.4	16.2	16.7		15.4	15.2	15.8		14.4	14.3	15.1t		42
44	15.7	15.6	15.8		15.0	14.8	15.0		14.1	13.9	14.7		44
46	15.2	15.1	15.0		14.7	14.5	14.2		13.8	13.6	14.0		46
48	14.8	14.7	14.2		14.5	14.2	13.5		13.5	13.3	13.3		48
50	14.6	14.4	13.5		14.3	13.9	12.8		13.4	13.0	12.6		50
52	50.3m x	14.2	12.7	55.1m x	13.7	13.7	12.2		13.2	12.8	12.0		52
54	14.4t	13.9	12.1	9.0t	53.3m x	13.6	11.6	57.1m x	12.9	12.7	11.5		54
56		54.8m x	11.6	8.9	13.1t	13.2	11.1		12.2	12.6	10.9	59.0m x	56
58		13.5t	11.0	8.5		57.8m x	10.6	8.1	56.2m x	12.4	10.4	7.7t	58
60			10.5	8.1		12.8t	10.2	7.7	12.1t	11.7	10.0	7.5	60
62			61.9m x	7.6			9.7	7.4		60.7m x	9.6	7.2	62
64			10.0t	7.2			9.2	7.0		11.5t	9.1	6.8	64
66				6.9			64.9m x	6.6			8.7	6.5	66
68				6.5			9.0t	6.3			67.8m x	6.2	68
70				6.2				6.0			8.3t	5.9	70
72				70.4m x				5.7				5.6	72
74				6.1t				73.3m x				5.3	74
76								5.6t				5.0	76
78												76.3m x	78
80												5.0t	80
No. of Part Line	2	2	2	2	2	2	2	2	2	2	2	2	No. of Part Line

* For notes about the table above, refer to page 34.

■ Tower 51.80 m



Unit: ton

Tower Length (m)	51.80								Tower Length (m)
Jib Length (m)	57.90				60.95				Jib Length (m)
Tower Angle (°)	88	83	75	65	88	83	75	65	Tower Angle (°)
Working Radius (m)									Working Radius (m)
18	21.0m x				21.9m x				18
20	18.1t				16.0t				20
22	17.8				16.0				22
24	17.3				15.6				24
26	16.9				15.0				26
28	16.5	30.2m x			14.6	31.3m x			28
30	16.1	16.7t			14.2	14.5t			30
32	15.6	16.2			13.8	14.4			32
34	14.9	15.5			13.3	13.9			34
36	14.4	14.7			13.1	13.3			36
38	13.9	14.1			12.4	12.9			38
40	13.3	13.6			11.7	12.5			40
42	12.7	13.2	44.4m x		11.2	12.0	45.9m x		42
44	12.1	12.8	14.2t		10.6	11.4	12.6t		44
46	11.6	12.3	13.6		10.2	10.8	12.5		46
48	11.2	11.8	12.9		9.8	10.3	12.2		48
50	10.8	11.3	12.3		9.4	9.9	12.0		50
52	10.4	10.9	11.7		9.0	9.5	11.4		52
54	10.1	10.6	11.1		8.7	9.1	10.9		54
56	9.9	10.2	10.6		8.5	8.8	10.3		56
58	9.8	10.0	10.1	61.0m x	8.3	8.6	9.9		58
60	59.2m x	9.8	9.7	7.0t	8.1	8.3	9.4	62.9m x	60
62	9.7t	9.6	9.2	6.8	8.0	8.2	9.0	6.4t	62
64		63.7m x	8.9	6.5	62.1m x	8.1	8.6	6.3	64
66		9.5t	8.5	6.2	7.9t	8.0	8.2	5.9	66
68			8.1	5.9		66.6m x	7.9	5.7	68
70			7.7	5.6		7.9t	7.5	5.4	70
72			70.8m x	5.4			7.2	5.1	72
74			7.6t	5.1			73.7m x	4.9	74
76				4.8			6.9t	4.6	76
78				4.6				4.4	78
80				79.2m x				4.2	80
82				4.3t				3.9	82
84								82.1m x	84
86								3.9t	86
No. of Part Line	2	2	2	2	2	2	2	2	No. of Part Line

* For notes about the table above, refer to page 34.

■ Tower 54.85 m



Unit: ton

Tower Length (m)	54.85												Tower Length (m)
Jib Length (m)	24.40				27.45				30.50				Jib Length (m)
Tower Angle (°)	88	83	75	65	88	83	75	65	88	83	75	65	Tower Angle (°)
Working Radius (m)													Working Radius (m)
9	11.5m x												9
10	54.0t				12.4m x				13.3m x				10
12	54.0				51.6t				45.7t				12
14	50.6				48.5				44.6				14
16	47.1	18.3m x			45.2	19.4m x			41.6				16
18	44.2	46.2t			42.5	42.8t			39.2	20.6m x			18
20	41.9	43.5			40.2	41.8			37.1	37.8t			20
22	40.0	40.4			38.4	39.3			35.4	36.3			22
24	38.4	37.1			36.8	36.8			33.9	34.3			24
26	35.0	34.4	28.8m x		35.5	34.1			32.7	32.7			26
28	27.6m x	32.0	26.9t		32.2	31.7	30.3m x		31.7	31.1	31.8m x		28
30	32.3t	29.9	25.7		29.4	29.6	25.3t		29.8	29.1	23.5t		30
32		28.2	24.1		30.5m x	27.8	23.8		27.4	27.2	23.3		32
34		32.4m x	22.6		28.8t	26.2	22.4		33.5m x	25.6	21.9		34
36		27.9t	21.3			35.3m x	21.1		25.8t	24.2	20.6		36
38			20.1	41.2m x		25.4t	19.9			23.0	19.4		38
40			39.9m x	14.9t			18.9	43.2m x		38.2m x	18.4		40
42			19.1t	14.5			17.9	13.9t		22.9t	17.5	45.1m x	42
44				13.6				42.8m x			16.6	12.9t	44
46				12.8			17.4t	12.8			45.7m x	12.5	46
48				12.1				12.1			15.8t	11.8	48
50				48.8m x				11.4				11.2	50
52				11.9t				51.8m x				10.6	52
54								10.9t				10.0	54
56												54.7m x	56
58												9.9t	58
No. of Part Line	4	4	4	4	4	4	4	4	4	4	4	4	No. of Part Line

Unit: ton

Tower Length (m)	54.85												Tower Length (m)
Jib Length (m)	33.50				36.55				39.60				Jib Length (m)
Tower Angle (°)	88	83	75	65	88	83	75	65	88	83	75	65	Tower Angle (°)
Working Radius (m)													Working Radius (m)
12	14.2m x				15.1m x								12
14	42.2t				34.9t								14
16	39.8				34.5				30.3				16
18	37.5	21.7m x			33.6				30.1				18
20	35.5	35.0t			32.4	22.8m x			29.9				20
22	33.8	34.7			30.9	32.6t			29.7				22
24	31.9	32.9			29.0	31.4			28.5	29.7			24
26	29.5	30.6			27.3	29.9			27.2	28.3			26
28	27.5	28.0			25.5	27.9			25.2	27.0			28
30	25.6	25.8	33.4m x		23.9	25.7			23.6	25.7			30
32	23.9	23.9	21.9t		22.5	23.8	34.9m x		22.2	23.8			32
34	22.4	22.2	21.4		21.3	22.1	20.5t		20.9	22.1	36.4m x		34
36	20.2	20.8	20.2		19.9	20.7	19.8		19.8	20.7	19.6t		36
38	36.4m x	19.8	19.0		18.7	19.5	18.7		18.9	19.2	18.6		38
40	20.1t	18.9	18.0		39.4m x	18.4	17.6		17.9	18.0	17.6		40
42		41.2m x	17.0		18.7t	17.8	16.7		17.2	17.2	16.7		42
44		18.6t	16.2	47.1m x		17.5	15.9		42.3m x	16.5	15.8		44
46			15.4	11.8t		44.1m x	15.1	49.0m x		16.0	15.0		46
48			14.6	11.5		17.4t	14.4	11.0t		47.1m x	14.3	51.0m x	48
50			48.7m x	10.9			13.7	10.7		15.8t	13.7	10.3t	50
52			14.3t	10.3			51.6m x	10.2			13.0	10.1	52
54				9.8			13.1t	9.6			12.4	9.6	54
56				9.3				9.1			54.6m x	9.1	56
58				57.6m x				8.6			12.1t	8.7	58
60				8.9t				8.2				8.2	60
62								60.6m x				7.8	62
64								8.1t				63.5m x	64
66												7.5t	66
No. of Part Line	4	4	4	4	3	3	3	3	3	3	3	3	No. of Part Line

* For notes about the table above, refer to page 34.

■ Tower 54.85 m



Unit: ton

Tower Length (m)	54.85												Tower Length (m)
Jib Length (m)	42.65				45.70				48.75				Jib Length (m)
Tower Angle (°)	88	83	75	65	88	83	75	65	88	83	75	65	Tower Angle (°)
Working Radius (m)													Working Radius (m)
14	16.9m x				17.7m x								14
16	28.1t				25.8t				18.4m x				16
18	28.0				25.8				23.3t				18
20	27.7				25.5				23.2				20
22	27.5	25.1m x			25.2				22.9				22
24	26.7	27.5t			24.9	26.3m x			22.3	27.1m x			24
26	25.9	26.9			24.5	25.2t			21.8	22.3t			26
28	24.4	25.7			23.5	24.2			21.4	22.0			28
30	23.1	24.7			22.6	23.3			21.0	21.4			30
32	21.8	23.4			21.5	22.4			19.9	20.9			32
34	20.6	21.8	37.9m x		20.4	21.6			18.9	19.7			34
36	19.4	20.4	18.3t		19.3	20.2	39.5m x		17.9	18.6			36
38	18.3	19.0	18.2		18.3	18.9	17.0t		17.0	17.5	40.6m x		38
40	17.3	17.9	17.2		17.3	17.8	16.8		16.2	16.5	16.1t		40
42	16.6	16.9	16.3		16.5	16.7	15.9		15.4	15.6	15.6		42
44	16.0	16.1	15.4		15.8	15.8	15.0		14.8	14.7	14.8		44
46	45.3m x	15.6	14.6		15.2	14.9	14.3		14.2	13.9	14.0		46
48	15.9t	15.2	13.9		14.7	14.3	13.6		13.8	13.4	13.3		48
50		15.0	13.3	53.0m x	48.2m x	13.9	12.9		13.5	13.1	12.7		50
52			12.7	9.5t	14.7t	13.7	12.3	54.9m x	50.4m x	12.9	12.1		52
54			12.1	9.3		53.0m x	11.8	8.8t	13.5t	12.8	11.5	56.4m x	54
56			11.5	8.8		13.6t	11.3	8.5		55.2m x	11.0	8.1t	56
58			57.5m x	8.4			10.7	8.1		12.7t	10.5	7.8	58
60			11.1t	8.0			10.2	7.7			10.1	7.4	60
62				7.6			60.5m x	7.3			9.6	7.1	62
64				7.2			10.1t	6.9			62.7m x	6.7	64
66				6.8				6.6			9.4t	6.4	66
68				66.5m x				6.3				6.1	68
70				6.8t				69.4m x				5.8	70
72								6.0t				71.7m x	72
74												5.6t	74
No. of Part Line	3	3	3	3	2	2	2	2	2	2	2	2	No. of Part Line

* For notes about the table above, refer to page 34.

■ Tower 54.85 m



Unit: ton

Tower Length (m)	54.85												Tower Length (m)
Jib Length (m)	51.80				54.85				57.90				Jib Length (m)
Tower Angle (°)	88	83	75	65	88	83	75	65	88	83	75	65	Tower Angle (°)
Working Radius (m)													Working Radius (m)
16	19.3m x												16
18	22.4t				20.2m x				21.1m x				18
20	22.1				20.4t				17.9t				20
22	20.9				19.6				17.6				22
24	20.4				18.7				17.0				24
26	20.0	28.3m x			18.3	29.4m x			16.6				26
28	19.7	20.2t			18.0	18.4t			16.3	30.5m x			28
30	19.2	19.7			17.7	18.1			15.9	16.5t			30
32	18.4	18.7			16.9	17.3			15.4	16.1			32
34	17.7	17.8			16.1	16.6			14.6	15.4			34
36	17.0	16.9			15.3	15.8			13.9	14.5			36
38	16.4	16.1			14.6	14.9			13.3	13.8			38
40	15.8	15.3	42.1m x		14.1	14.2	43.7m x		12.9	13.1			40
42	15.2	14.7	15.0t		13.6	13.8	14.1t		12.6	12.6	45.2m x		42
44	14.8	14.2	14.4		13.3	13.3	14.1		12.1	12.2	13.3t		44
46	14.3	13.7	13.6		13.0	12.9	13.4		11.6	11.9	13.0		46
48	13.9	13.3	12.9		12.7	12.5	12.7		11.2	11.5	12.4		48
50	13.6	13.1	12.3		12.5	12.3	12.1		10.8	11.3	11.7		50
52	13.3	12.8	11.7		12.4	12.1	11.5		10.4	10.9	11.2		52
54	53.4m x	12.7	11.1		12.3	11.9	10.9		10.1	10.6	10.6		54
56	13.1t	12.6	10.6	58.3m x	12.2	11.8	10.4		9.9	10.3	10.1		56
58		12.4	10.2	7.4t	56.3m x	11.7	10.0	60.3m x	9.7	10.0	9.6		58
60		58.2m x	9.7	7.1	12.1t	11.5	9.5	6.8t	59.3m x	9.8	9.2	62.3m x	60
62		11.8t	9.3	6.7		61.1m x	9.1	6.5	9.5t	9.7	8.8	6.2t	62
64			8.9	6.4		11.4t	8.7	6.2		9.6	8.4	5.9	64
66			65.7m x	6.1			8.4	5.9			8.1	5.6	66
68			8.6t	5.8			8.0	5.6			7.7	5.3	68
70				5.5			68.6m x	5.4			7.4	5.0	70
72				5.3			7.9t	5.1			71.5m x	4.8	72
74				5.0				4.9			7.2t	4.6	74
76				74.6m x				4.6				4.3	76
78				4.9t				77.5m x				4.1	78
80								4.6t				4.0	80
82												80.5m x	82
84												3.9t	84
No. of Part Line	2	2	2	2	2	2	2	2	2	2	2	2	No. of Part Line

* For notes about the table above, refer to page 34.

■ Tower 54.85 m



Unit: ton

Tower Length (m)	54.85				Tower Length (m)
Jib Length (m)	60.95				Jib Length (m)
Tower Angle (°)	88	83	75	65	Tower Angle (°)
Working Radius (m)					Working Radius (m)
22	15.7				22
24	15.3				24
26	14.9				26
28	14.5	31.7m x			28
30	14.1	14.4t			30
32	13.7	14.3			32
34	13.2	13.9			34
36	12.7	13.2			36
38	12.3	12.5			38
40	11.8	11.9			40
42	11.2	11.5			42
44	10.7	11.2	46.7m x		44
46	10.2	10.9	12.4t		46
48	9.8	10.4	12.1		48
50	9.4	9.9	11.5		50
52	9.0	9.5	10.9		52
54	8.7	9.2	10.4		54
56	8.5	8.9	9.9		56
58	8.3	8.6	9.4		58
60	8.1	8.4	9.0		60
62	8.0	8.2	8.6	64.2m x	62
64	62.2m x	8.1	8.2	5.6t	64
66	7.9t	8.0	7.8	5.4	66
68		67.0m x	7.5	5.1	68
70		8.0t	7.2	4.8	70
72			6.9	4.6	72
74			6.6	4.3	74
76			74.5m x	4.1	76
78			6.5t	3.9	78
80				3.7	80
82				3.5	82
84				83.4m x	84
86				3.4t	86
No. of Part Line	2	2	2	2	No. of Part Line

* For notes about the table above, refer to page 34.

■ Tower 57.90 m



Unit: ton

Tower Length (m)	57.90												Tower Length (m)
Jib Length (m)	27.45				30.50				33.50				Jib Length (m)
Tower Angle (°)	88	83	75	65	88	83	75	65	88	83	75	65	Tower Angle (°)
Working Radius (m)													Working Radius (m)
10	12.5m x				13.4m x								10
12	47.8t				42.2t				14.3m x				12
14	44.9				41.3				38.7t				14
16	41.8	19.8m x			38.6				36.6				16
18	39.2	39.0t			36.2	20.9m x			34.5				18
20	37.0	38.8			34.3	34.8t			32.7	22.1m x			20
22	35.2	36.4			32.6	33.6			31.1	31.9t			22
24	33.7	34.3			31.2	31.7			29.8	30.3			24
26	32.5	32.6			30.0	30.1			28.7	28.8			26
28	31.5	31.0	31.1m x		29.0	28.8			27.7	27.5			28
30	29.5	29.0	23.8t		28.2	27.6	32.6m x		26.9	26.4			30
32	30.6m x	27.2	23.0		27.5	26.6	22.1t		26.3	25.5	34.2m x		32
34	28.8t	25.6	21.6		33.6m x	25.1	21.1		25.8	24.7	20.9t		34
36		35.7m x	20.3		25.8t	23.7	19.8		23.9	23.5	19.7		36
38		24.5t	19.2			22.5	18.7		36.5m x	22.3	18.6		38
40			18.1			38.6m x	17.7		23.5t	21.1	17.6		40
42			17.2	44.4m x		22.2t	16.8			41.6m x	16.7		42
44			43.6m x	12.7t			16.0	46.4m x		20.4t	15.9		44
46			16.6t	12.1			15.3	11.7t			15.1	48.4m x	46
48				11.5			46.5m x	11.1			14.4	10.9t	48
50				10.9			15.1t	10.6			49.5m x	10.5	50
52				10.3				10.0			13.9t	10.0	52
54				53.0m x				9.5				9.5	54
56				10.0t				9.0				9.0	56
58												8.5	58
60												58.9m x	60
62												8.3t	62
No. of Part Line	4	4	4	4	4	4	4	4	3	3	3	3	No. of Part Line

Unit: ton

Tower Length (m)	57.90												Tower Length (m)
Jib Length (m)	36.55				39.60				42.65				Jib Length (m)
Tower Angle (°)	88	83	75	65	88	83	75	65	88	83	75	65	Tower Angle (°)
Working Radius (m)													Working Radius (m)
12	15.2m x												12
14	35.0t				16.1m x				17.0m x				14
16	34.3				27.5t				26.2t				16
18	32.5				27.0				26.2				18
20	31.1	23.2m x			27.0				26.1				20
22	29.8	29.8t			27.0	24.3m x			25.9	25.5m x			22
24	27.5	29.0			25.5	27.5t			24.7	25.5t			24
26	25.5	27.7			23.6	26.4			23.5	25.2			26
28	23.7	25.9			22.0	25.2			21.9	24.0			28
30	22.1	23.9			20.5	23.9			20.4	23.0			30
32	20.7	22.3	35.7m x		19.2	22.3			19.1	22.0			32
34	19.4	20.8	19.6t		18.4	20.8	37.2m x		18.0	20.5			34
36	18.2	19.4	19.4		17.7	19.4	18.4t		17.2	19.2	38.7m x		36
38	17.3	18.2	18.3		17.1	18.2	17.9		16.4	18.0	17.2t		38
40	39.5m x	17.1	17.3		16.5	17.1	16.9		15.8	16.9	16.5		40
42	17.1t	16.4	16.4		15.9	16.3	16.0		15.1	15.9	15.6		42
44		16.0	15.6		42.4m x	15.5	15.2		14.7	15.1	14.8		44
46		44.5m x	14.8		15.8t	15.1	14.4		45.4m x	14.5	14.0		46
48		15.9t	14.1	50.3m x		47.5m x	13.7		14.6t	14.1	13.4		48
50			13.5	10.2t		15.0t	13.1	52.3m x		13.9	12.7		50
52			12.8	9.7			12.5	9.3t		50.4m x	12.1	54.2m x	52
54			52.4m x	9.3			12.0	8.9		13.8t	11.6	8.6t	54
56			12.7t	8.8			55.4m x	8.5			11.1	8.1	56
58				8.4			11.6t	8.1			10.6	7.7	58
60				7.9				7.7			58.3m x	7.4	60
62				61.9m x				7.3			10.6t	7.0	62
64				7.6t				7.0				6.7	64
66								64.8m x				6.4	66
68								6.8t				67.8m x	68
70												6.1t	70
No. of Part Line	3	3	3	3	3	3	3	3	2	2	2	2	No. of Part Line

* For notes about the table above, refer to page 34.

■ Tower 57.90 m



Unit: ton

Tower Length (m)	57.90												Tower Length (m)
Jib Length (m)	45.70				48.75				51.80				Jib Length (m)
Tower Angle (°)	88	83	75	65	88	83	75	65	88	83	75	65	Tower Angle (°)
Working Radius (m)													Working Radius (m)
14	17.8m x												14
16	24.9t				18.5m x				19.4m x				16
18	24.9				22.6t				21.3t				18
20	24.6				22.5				21.0				20
22	24.3				22.2				20.0				22
24	24.0	26.6m x			21.9	27.5m x			19.7				24
26	23.4	23.6t			21.5	21.7t			19.4	28.6m x			26
28	21.9	22.7			20.5	21.5			19.1	19.6t			28
30	20.4	21.8			19.5	20.6			18.8	19.6			30
32	19.1	20.9			18.6	19.8			18.1	18.6			32
34	17.9	20.1			17.7	18.9			17.5	17.7			34
36	16.9	18.9			16.7	17.9			16.6	16.8			36
38	15.9	17.8	40.3m x		15.8	16.9	41.4m x		15.7	16.0			38
40	15.1	16.8	16.0t		14.8	16.0	15.1t		15.0	15.1	42.9m x		40
42	14.4	15.8	15.2		14.0	15.0	14.9		14.2	14.3	14.1t		42
44	13.9	14.9	14.4		13.4	14.2	14.1		13.6	13.6	13.7		44
46	13.7	14.1	13.7		12.9	13.4	13.4		13.1	13.1	13.0		46
48	13.5	13.4	13.0		12.6	12.7	12.7		12.9	12.6	12.4		48
50	48.3m x	13.0	12.4		12.5	12.2	12.1		12.6	12.2	11.7		50
52	13.4t	12.7	11.8		50.5m x	11.9	11.5		12.3	12.0	11.2		52
54		53.3m x	11.3	56.2m x	12.4t	11.8	11.0	57.7m x	53.5m x	11.8	10.6		54
56		12.6t	10.8	7.8t		55.6m x	10.5	7.2t	12.2t	11.7	10.1	59.6m x	56
58			10.3	7.4		11.7t	10.0	7.1		11.6	9.7	6.5t	58
60			9.9	7.0			9.6	6.8		58.5m x	9.3	6.4	60
62			61.3m x	6.7			9.2	6.4		11.5t	8.9	6.1	62
64			9.6t	6.4			63.5m x	6.1			8.5	5.8	64
66				6.1			9.0t	5.8			8.2	5.5	66
68				5.8				5.6			66.4m x	5.2	68
70				5.5				5.3			8.1t	5.0	70
72				70.7m x				5.1				4.7	72
74				5.4t				72.9m x				4.5	74
76								5.0t				75.9m x	76
78												4.3t	78
No. of Part Line	2	2	2	2	2	2	2	2	2	2	2	2	No. of Part Line

* For notes about the table above, refer to page 34.

■ Tower 57.90 m



Unit: ton

Tower Length (m)	57.90												Tower Length (m)
Jib Length (m)	54.85				57.90				60.95				Jib Length (m)
Tower Angle (°)	88	83	75	65	88	83	75	65	88	83	75	65	Tower Angle (°)
Working Radius (m)													Working Radius (m)
18	20.3m x				21.2m x								18
20	19.5t				17.7t				22.1m x				20
22	18.7				17.4				15.6t				22
24	18.1				16.9				15.0				24
26	17.8	29.8m x			16.4				14.7				26
28	17.6	17.9t			16.1	30.9m x			14.3				28
30	17.3	17.8			15.7	16.3t			13.9	32.1m x			30
32	16.7	17.1			15.3	15.9			13.6	14.2t			32
34	16.1	16.5			14.6	15.4			13.2	13.8			34
36	15.3	15.7			13.9	14.5			12.6	13.2			36
38	14.4	14.8			13.3	13.8			12.0	12.5			38
40	13.7	14.1			12.7	13.2			11.5	11.9			40
42	13.2	13.4	44.5m x		12.1	12.6			11.0	11.4			42
44	12.7	12.7	13.3t		11.6	12.0			10.7	10.9	47.5m x		44
46	12.4	12.4	12.8		11.2	11.5	12.4		10.2	10.4			46
48	12.1	11.7	12.2		11.0	11.0	11.8		9.8	10.0	11.5		48
50	11.8	11.4	11.5		10.8	10.7	11.2		9.4	9.7	10.9		50
52	11.6	11.2	11.0		10.4	10.4	10.6		9.0	9.5	10.4		52
54	11.5	11.0	10.4		10.1	10.1	10.1		8.7	9.2	9.9		54
56	11.4	10.8	10.0		9.9	10.0	9.6		8.5	8.9	9.4		56
58	56.4m x	10.8	9.5	61.6m x	9.7	9.8	9.2		8.3	8.6	8.9		58
60	11.3t	10.7	9.1	5.9t	59.4m x	9.8	8.7	63.6m x	8.1	8.4	8.5		60
62		61.5m x	8.7	5.9	9.6t	9.7	8.3	5.3t	8.0	8.2	8.1	65.5m x	62
64		10.6t	8.3	5.6		9.6	8.0	5.3	62.3m x	8.1	7.7	4.7t	64
66			8.0	5.3		64.4m x	7.6	5.0	8.0t	7.9	7.4	4.7	66
68			7.6	5.1		9.6t	7.3	4.7		67.4m x	7.1	4.5	68
70			69.4m x	4.8			7.0	4.5		7.8t	6.8	4.2	70
72			7.4t	4.6			6.7	4.2			6.5	4.0	72
74				4.3			72.3m x	4.0			6.2	3.8	74
76				4.1			6.7t	3.8			75.3m x	3.6	76
78				3.9				3.6			6.1t	3.4	78
80				78.8m x				3.4				3.2	80
82				3.9t				81.8m x				3.0	82
84								3.3t				2.9	84
86												84.7m x	86
88												2.8t	88
No. of Part Line	2	2	2	2	2	2	2	2	2	2	2	2	No. of Part Line

* For notes about the table above, refer to page 34.

■ Tower 60.95 m



Unit: ton

Tower Length (m)	60.95												Tower Length (m)
Jib Length (m)	30.50				33.50				36.55				Jib Length (m)
Tower Angle (°)	88	83	75	65	88	83	75	65	88	83	75	65	Tower Angle (°)
Working Radius (m)													Working Radius (m)
10	13.5m x												10
12	39.3t				14.4m x				15.3m x				12
14	38.7				37.1t				35.5t				14
16	35.8				35.1				34.7				16
18	33.4	21.3m x			32.9				32.5				18
20	31.4	32.1t			31.0	22.4m x			30.7	23.6m x			20
22	29.6	31.4			29.4	30.3t			29.0	28.9t			22
24	28.1	29.4			28.0	28.8			27.6	28.6			24
26	26.7	27.7			26.8	27.3			26.4	27.0			26
28	25.6	26.3			25.7	25.9			25.3	25.6			28
30	24.5	25.0	33.4m x		24.9	24.8			24.4	24.5			30
32	23.7	24.0	21.0t		24.1	23.8	35.0m x		23.6	23.4			32
34	33.7m x	23.1	20.6		23.5	22.9	19.6t		22.9	22.5	36.5m x		34
36	23.3t	22.4	19.4		23.1	22.2	19.0		22.4	21.7	18.3t		36
38		21.6	18.3		36.6m x	21.6	17.9		21.9	21.1	17.6		38
40		39.0m x	17.3		23.0t	20.7	16.9		39.6m x	20.3	16.6		40
42		21.1t	16.4			41.9m x	16.0		21.5t	19.3	15.7		42
44			15.6	47.7m x		19.8t	15.2			18.4	14.9		44
46			14.1	9.7t			14.5	49.7m x		44.9m x	14.2		46
48			47.3m x	9.7			13.3	9.2t		18.1t	13.5	51.6m x	48
50			13.7t	9.2			12.8	9.1			12.4	8.5t	50
52				8.8			50.3m x	8.7			11.9	8.4	52
54				8.4			12.7t	8.3			53.2m x	8.0	54
56				8.0				7.9			11.6t	7.6	56
58				57.3m x				7.5				7.2	58
60				7.7t				7.2				6.9	60
62								60.2m x				6.6	62
64								7.1t				63.2m x	64
66												6.4t	66
No. of Part Line	3	3	3	3	3	3	3	3	3	3	3	3	No. of Part Line

Unit: ton

Tower Length (m)	60.95												Tower Length (m)
Jib Length (m)	39.60				42.65				45.70				Jib Length (m)
Tower Angle (°)	88	83	75	65	88	83	75	65	88	83	75	65	Tower Angle (°)
Working Radius (m)													Working Radius (m)
14	16.2m x				17.1m x								14
16	29.7t				25.8t								16
18	29.7				25.8				24.0				18
20	28.6				25.0				23.7				20
22	26.1	24.7m x			23.8	25.9m x			23.4				22
24	24.2	24.0t			22.3	23.0t			22.2	27.0m x			24
26	22.4	24.0			20.7	22.9			20.6	22.0t			26
28	20.7	22.2			19.1	22.1			19.1	22.0			28
30	19.3	20.6			17.9	20.5			17.8	20.5			30
32	18.1	19.2			16.9	19.1			16.7	19.1			32
34	17.2	17.9			16.1	17.8			15.7	17.8			34
36	16.4	16.8			15.3	16.7	39.5m x		14.9	16.7			36
38	15.6	15.7	17.1		14.8	15.6	16.1t		14.2	15.6	41.0m x		38
40	15.0	14.9	16.2		14.1	14.6	15.8		13.7	14.6	15.0t		40
42	14.6	14.4	15.3		13.8	13.9	14.9		13.3	13.8	14.6		42
44	42.5m x	13.9	14.5		13.5	13.3	14.2		13.0	13.1	13.8		44
46	14.5t	13.6	13.8		45.5m x	12.9	13.4		12.8	12.6	13.1		46
48		47.8m x	13.1		13.4t	12.6	12.8		12.6	12.2	12.4		48
50		13.4t	12.5	53.6m x		12.3	12.2		48.4m x	12.0	11.8		50
52			11.7	8.0t		50.8m x	11.6	55.5m x	12.5t	11.9	11.2		52
54			11.2	7.9		12.2t	10.8	7.3t		53.7m x	10.7	57.5m x	54
56			10.8	7.5			10.4	7.1		11.8t	10.2	6.7t	56
58			56.2m x	7.1			10.0	6.8			9.8	6.7	58
60			10.7t	6.8			59.1m x	6.4			9.4	6.4	60
62				6.5			9.7t	6.1			9.1	6.0	62
64				6.2				5.8				5.7	64
66				6.0				5.6				5.5	66
68				66.1m x				5.3				5.2	68
70				5.9t				69.0m x				5.0	70
72								5.1t				4.7	72
No. of Part Line	3	3	3	3	2	2	2	2	2	2	2	2	No. of Part Line

* For notes about the table above, refer to page 34.

■ Tower 60.95 m



Unit: ton

Tower Length (m)	60.95												Tower Length (m)
Jib Length (m)	48.75				51.80				54.85				Jib Length (m)
Tower Angle (°)	88	83	75	65	88	83	75	65	88	83	75	65	Tower Angle (°)
Working Radius (m)													Working Radius (m)
16	18.6m x				19.5m x								16
18	21.9t				19.7t				20.4m x				18
20	21.7				19.7				18.0t				20
22	21.4				19.4				17.8				22
24	20.7	27.9m x			19.1				17.5				24
26	19.6	20.5t			18.8	29.0m x			17.3				26
28	18.4	20.4			17.8	18.9t			16.7	30.1m x			28
30	17.2	19.6			16.7	18.9			16.0	17.7t			30
32	16.2	18.4			15.7	17.8			15.0	16.9			32
34	15.1	17.2			14.7	16.7			14.2	16.2			34
36	14.2	16.2			13.9	15.7			13.4	15.2			36
38	13.5	15.1			13.1	14.7			12.7	14.3			38
40	13.1	14.2	42.2m x		12.4	13.9	43.7m x		12.1	13.6			40
42	12.7	13.4	14.1t		12.0	13.1	13.1t		11.5	12.9	45.2m x		42
44	12.4	12.7	13.5		11.7	12.4	13.1		11.1	12.3	12.4t		44
46	12.1	12.1	12.8		11.4	11.7	12.4		10.8	11.7	12.2		46
48	11.9	11.7	12.1		11.1	11.1	11.8		10.5	11.1	11.6		48
50	11.7	11.3	11.5		10.9	10.8	11.2		10.3	10.6	11.0		50
52	50.7m x	11.1	11.0		10.8	10.6	10.6		10.1	10.2	10.4		52
54	11.6t	10.9	10.5		53.6m x	10.3	10.1		10.0	10.1	9.9		54
56		10.8	10.0	59.0m x	10.7t	10.2	9.6		9.9	9.9	9.4		56
58			9.5	6.3t		9.9	9.2	60.9m x	56.5m x	9.8	9.0		58
60			9.1	6.1		58.9m x	8.8	5.6t	9.9t	9.7	8.6	62.9m x	60
62			8.7	5.8		9.8t	8.4	5.4		61.8m x	8.2	5.1t	62
64			8.4	5.5			8.0	5.2		9.6t	7.8	5.0	64
66			64.3m x	5.2			7.7	4.9			7.5	4.7	66
68			8.4t	5.0			67.2m x	4.6			7.2	4.4	68
70				4.7			7.6t	4.4			6.9	4.2	70
72				4.5				4.2			70.2m x	4.0	72
74				4.3				3.9			6.9t	3.8	74
76				74.2m x				3.7				3.6	76
78				4.2t				77.2m x				3.4	78
80								3.6t				3.2	80
82												80.1m x	82
84												3.2t	84
No. of Part Line	2	2	2	2	2	2	2	2	2	2	2	2	No. of Part Line

* For notes about the table above, refer to page 34.

■ Tower 60.95 m



Unit: ton

Tower Length (m)	60.95								Tower Length (m)
Jib Length (m)	57.90				60.95				Jib Length (m)
Tower Angle (°)	88	83	75	65	88	83	75	65	Tower Angle (°)
Working Radius (m)									Working Radius (m)
18	21.3m x								18
20	16.3t				22.2m x				20
22	16.2				15.3t				22
24	16.0				14.9				24
26	15.8				14.4				26
28	15.6	31.3m x			13.9				28
30	15.4	16.6t			13.5	32.4m x			30
32	14.5	15.5			13.2	13.9t			32
34	13.7	15.2			12.9	13.6			34
36	13.0	14.8			12.6	13.2			36
38	12.4	14.0			12.4	12.9			38
40	11.8	13.3			11.8	12.6			40
42	11.2	12.7			11.2	12.3			42
44	10.7	12.2	46.8m x		10.7	12.0			44
46	10.2	11.7	11.5t		10.2	11.6	48.3m x		46
48	9.8	11.1	11.2		9.8	11.1	10.8t		48
50	9.6	10.6	10.6		9.4	10.6	10.4		50
52	9.4	10.2	10.1		9.0	10.1	9.8		52
54	9.3	9.8	9.6		8.7	9.7	9.3		54
56	9.2	9.5	9.1		8.5	9.3	8.9		56
58	9.1	9.3	8.7		8.2	9.0	8.4		58
60	59.5m x	9.1	8.3		8.2	8.7	8.0		60
62	9.0t	9.0	7.9	64.8m x	8.0	8.4	7.6		62
64		8.8	7.5	4.5t	62.4m x	8.3	7.3	66.8m x	64
66		64.8m x	7.2	4.4	8.0t	8.2	6.9	4.0t	66
68		8.8t	6.9	4.1		67.7m x	6.6	3.9	68
70			6.6	3.9		8.0t	6.3	3.6	70
72			6.3	3.7			6.1	3.4	72
74			73.1m x	3.5			5.8	3.2	74
76			6.2t	3.3			5.6	3.0	76
78				3.1			76.1m x	2.8	78
80				2.9			5.6t	2.7	80
82				2.7				2.5	82
84				83.1m x				2.3	84
86				2.7t				2.2	86
No. of Part Line	2	2	2	2	2	2	2	2	No. of Part Line

* For notes about the table above, refer to page 34.

■ Tower 21.35 m Tower Head Hoisting



Tower Length (m)		21.35						Tower Length (m)	
Jib Length (m)	Working Radius (m)	21.35	24.40	27.45	30.50	33.50	36.55	39.60	Jib Length (m)
Working Radius (m)								Working Radius (m)	
5.5	80.0	80.0	80.0	80.0	80.0	80.0	80.0	80.0	5.5
6	80.0	80.0	80.0	80.0	80.0	80.0	80.0	80.0	6
6.5	80.0	80.0	80.0	80.0	80.0	80.0	80.0	80.0	6.5
7	80.0	80.0	80.0	80.0	80.0	80.0	80.0	80.0	7
7.5	80.0	80.0	80.0	80.0	80.0	80.0	80.0	80.0	7.5
8	80.0	80.0	80.0	80.0	80.0	80.0	80.0	80.0	8
9	80.0	80.0	80.0	80.0	80.0	80.0	80.0	80.0	9
10	80.0	80.0	80.0	80.0	80.0	80.0	80.0	80.0	10
11	10.9m x	10.9m x	10.9m x	10.9m x	10.9m x	10.9m x	10.9m x	10.9m x	11
12	80.0t	80.0t	80.0t	80.0t	80.0t	80.0t	80.0t	80.0t	12
No. of Part Line	6	6	6	6	6	6	6	6	No. of Part Line

Unit: ton

Tower Length (m)		21.35						Tower Length (m)	
Jib Length (m)	Working Radius (m)	42.65	45.70	48.75	51.80	54.85	57.90	60.95	Jib Length (m)
Working Radius (m)								Working Radius (m)	
5.5	80.0	80.0	80.0	80.0	80.0	80.0	80.0	80.0	5.5
6	80.0	80.0	80.0	80.0	80.0	80.0	80.0	80.0	6
6.5	80.0	80.0	80.0	80.0	80.0	80.0	80.0	80.0	6.5
7	80.0	80.0	80.0	80.0	80.0	80.0	80.0	80.0	7
7.5	80.0	80.0	80.0	80.0	80.0	80.0	80.0	80.0	7.5
8	80.0	80.0	80.0	80.0	80.0	80.0	80.0	80.0	8
9	80.0	80.0	80.0	80.0	80.0	80.0	80.0	80.0	9
10	80.0	80.0	80.0	80.0	80.0	80.0	80.0	80.0	10
11	10.9m x	10.9m x	10.9m x	10.9m x	10.9m x	10.9m x	10.9m x	10.9m x	11
12	80.0t	80.0t	80.0t	80.0t	80.0t	80.0t	80.0t	80.0t	12
No. of Part Line	6	6	6	6	6	6	6	6	No. of Part Line

Unit: ton

- The rated loads are determined according to EN13000 rating on the condition that the machine is stationed on firm, level ground.
- Working radius is the horizontal distance from the slewing center to the center of gravity of a lifted load.
- The figures surrounded by bold lines are based on factors other than those which would cause a tipping condition.
- Operation must be very careful when using luffing jib hook, while boom head hoist hook is suspended because boom head hoist hook is possible to hit the boom.
- A deduction must be made from the luffing jib rated loads for the weight of the following:
Luffing jib hook block + boom head hoist hook block, slings, spreader bar, or other suspended gear etc.
- A deduction must be made from the boom head rated loads for the weight of the following:
Luffing jib hook block + boom head hoist hook block, slings, spreader bar, or other suspended gear etc.
- The permissible instantaneous wind speed is 10 m/s.
- Do not lift or suspend a load from the luffing jib hook and boom head hoist hook at the same time.
- The counter weight is 124.3 ton. (Superstructure 100.2 ton + lower weight 24.1 ton)
- Figures described as OOm x OOt in the tables indicate "working radius" m x "rated load" ton.
- Correlation between the number of reeved lines, maximum rated loads, hook weights are shown in the table below.

Hook Capacity (t)	Hook Weight (t)	Maximum Rated Loads (t)					
		6 falls	5 falls	4 falls	3 falls	2 falls	1 fall
80	2.0	80	67.5	54	40.5	27	-
35	1.4	-	-	-	35	27	-
13.5	0.6	-	-	-	-	-	13.5

■ Tower 24.40 m to 27.45 m Tower Head Hoisting



Unit: ton

Tower Length (m)	24.40							Tower Length (m)
Jib Length (m)	21.35	24.40	27.45	30.50	33.50	36.55	39.60	Jib Length (m)
Working Radius (m)								Working Radius (m)
5	5.9m x 80.0t	5.9m x 80.0t	5.9m x 80.0t	5.9m x 80.0t	5.9m x 80.0t	5.9m x 80.0t	5.9m x 80.0t	5
5.5	80.0	80.0	80.0	80.0	80.0	80.0	80.0	5.5
6	80.0	80.0	80.0	80.0	80.0	80.0	80.0	6
6.5	80.0	80.0	80.0	80.0	80.0	80.0	80.0	6.5
7	80.0	80.0	80.0	80.0	80.0	80.0	80.0	7
7.5	80.0	80.0	80.0	80.0	80.0	80.0	80.0	7.5
8	80.0	80.0	80.0	80.0	80.0	80.0	80.0	8
9	80.0	80.0	80.0	80.0	80.0	80.0	80.0	9
10	80.0	80.0	80.0	80.0	80.0	80.0	80.0	10
11	80.0	80.0	80.0	80.0	80.0	80.0	80.0	11
12	80.0	80.0	80.0	80.0	80.0	80.0	80.0	12
13	12.2m x 80.0t	12.2m x 80.0t	12.2m x 80.0t	12.2m x 80.0t	12.2m x 80.0t	12.2m x 80.0t	12.2m x 80.0t	13
14	80.0t	80.0t	80.0t	80.0t	80.0t	80.0t	80.0t	14
No. of Part Line	6	6	6	6	6	6	6	No. of Part Line

Unit: ton

Tower Length (m)	24.40							Tower Length (m)
Jib Length (m)	42.65	45.70	48.75	51.80	54.85	57.90	60.95	Jib Length (m)
Working Radius (m)								Working Radius (m)
5	5.9m x 80.0t	5.9m x 80.0t	5.9m x 80.0t	5.9m x 80.0t	5.9m x 80.0t	5.9m x 80.0t	5.9m x 80.0t	5
5.5	80.0	80.0	80.0	80.0	80.0	80.0	80.0	5.5
6	80.0	80.0	80.0	80.0	80.0	80.0	80.0	6
6.5	80.0	80.0	80.0	80.0	80.0	80.0	80.0	6.5
7	80.0	80.0	80.0	80.0	80.0	80.0	80.0	7
7.5	80.0	80.0	80.0	80.0	80.0	80.0	80.0	7.5
8	80.0	80.0	80.0	80.0	80.0	80.0	80.0	8
9	80.0	80.0	80.0	80.0	80.0	80.0	80.0	9
10	80.0	80.0	80.0	80.0	80.0	80.0	80.0	10
11	80.0	80.0	80.0	80.0	77.6	77.6	77.6	11
12	80.0	80.0	80.0	80.0	76.4	74.3	72.6	12
13	12.2m x 80.0t	12.2m x 80.0t	12.2m x 80.0t	12.2m x 80.0t	12.2m x 76.1t	12.2m x 73.7t	12.2m x 71.5t	13
14	80.0t	80.0t	80.0t	80.0t	80.0t	80.0t	80.0t	14
No. of Part Line	6	6	6	6	6	6	6	No. of Part Line

Unit: ton

Tower Length (m)	27.45							Tower Length (m)
Jib Length (m)	21.35	24.40	27.45	30.50	33.50	36.55	39.60	Jib Length (m)
Working Radius (m)								Working Radius (m)
5.5	6.4m x 80.0t	6.4m x 80.0t	6.4m x 80.0t	6.4m x 80.0t	6.4m x 80.0t	6.4m x 80.0t	6.4m x 80.0t	5.5
6	80.0	80.0	80.0	80.0	80.0	80.0	80.0	6
6.5	80.0	80.0	80.0	80.0	80.0	80.0	80.0	6.5
7	80.0	80.0	80.0	80.0	80.0	80.0	80.0	7
7.5	80.0	80.0	80.0	80.0	80.0	80.0	80.0	7.5
8	80.0	80.0	80.0	80.0	80.0	80.0	80.0	8
9	80.0	80.0	80.0	80.0	80.0	80.0	80.0	9
10	80.0	80.0	80.0	80.0	80.0	80.0	80.0	10
11	80.0	80.0	80.0	80.0	80.0	80.0	80.0	11
12	80.0	80.0	77.6	77.6	77.6	77.6	77.6	12
13	80.0	80.0	77.5	76.5	75.6	74.3	73.5	13
14	13.5m x 80.0t	13.5m x 80.0t	13.5m x 77.4t	13.5m x 75.9t	13.5m x 74.6t	13.5m x 72.7t	13.5m x 71.4t	14
15	80.0t	80.0t	80.0t	80.0t	80.0t	80.0t	80.0t	15
No. of Part Line	6	6	6	6	6	6	6	No. of Part Line

Unit: ton

Tower Length (m)	27.45							Tower Length (m)
Jib Length (m)	42.65	45.70	48.75	51.80	54.85	57.90	60.95	Jib Length (m)
Working Radius (m)								Working Radius (m)
5.5	6.4m x 80.0t	6.4m x 80.0t	6.4m x 80.0t	6.4m x 80.0t	6.4m x 80.0t	6.4m x 80.0t	6.4m x 80.0t	5.5
6	80.0	80.0	80.0	80.0	80.0	80.0	80.0	6
6.5	80.0	80.0	80.0	80.0	80.0	80.0	80.0	6.5
7	80.0	80.0	80.0	80.0	80.0	80.0	80.0	7
7.5	80.0	80.0	80.0	80.0	80.0	80.0	80.0	7.5
8	80.0	80.0	80.0	80.0	80.0	80.0	80.0	8
9	80.0	80.0	80.0	80.0	80.0	80.0	80.0	9
10	80.0	80.0	80.0	80.0	80.0	80.0	80.0	10
11	80.0	80.0	80.0	77.6	77.6	77.6	77.6	11
12	77.6	77.6	77.6	76.7	75.4	73.5	71.8	12
13	71.8	71.1	69.7	67.9	66.6	64.7	63.1	13
14	13.5m x 68.9t	13.5m x 67.8t	13.5m x 65.7t	13.5m x 63.4t	13.5m x 62.1t	13.5m x 60.4t	13.5m x 58.7t	14
15	80.0t	80.0t	80.0t	80.0t	80.0t	80.0t	80.0t	15
No. of Part Line	6	6	6	6	6	6	6	No. of Part Line

* For notes about the table above, refer to page 77.

■ Tower 30.50 m to 33.50 m Tower Head Hoisting



Unit: ton

Tower Length (m)	30.50							Tower Length (m)
Jib Length (m)	21.35	24.40	27.45	30.50	33.50	36.55	39.60	Jib Length (m)
Working Radius (m)								Working Radius (m)
6	6.8m x	6.8m x	6.8m x	6.8m x	6.8m x	6.8m x	6.8m x	6
6.5	80.0t	80.0t	80.0t	80.0t	80.0t	80.0t	80.0t	6.5
7	80.0	80.0	80.0	80.0	80.0	80.0	80.0	7
7.5	80.0	80.0	80.0	80.0	80.0	80.0	80.0	7.5
8	80.0	80.0	80.0	80.0	80.0	80.0	80.0	8
9	80.0	80.0	80.0	80.0	80.0	80.0	80.0	9
10	80.0	80.0	80.0	80.0	80.0	80.0	80.0	10
11	80.0	80.0	80.0	80.0	80.0	80.0	80.0	11
12	80.0	77.6	77.6	77.6	77.6	77.6	77.6	12
13	77.6	76.6	75.3	74.4	73.7	72.4	71.7	13
14	70.2	69.2	67.9	67.1	66.3	65.1	64.4	14
15	14.8m x	14.8m x	14.8m x	14.8m x	14.8m x	14.8m x	14.8m x	15
16	64.7t	63.9t	62.7t	61.9t	61.2t	60.1t	59.3t	16
No. of Part Line	6	6	6	6	6	6	6	No. of Part Line

Unit: ton

Tower Length (m)	30.50							Tower Length (m)
Jib Length (m)	42.65	45.70	48.75	51.80	54.85	57.90	60.95	Jib Length (m)
Working Radius (m)								Working Radius (m)
6	6.8m x	6.8m x	6.8m x	6.8m x	6.8m x	6.8m x	6.8m x	6
6.5	80.0t	80.0t	80.0t	80.0t	80.0t	80.0t	80.0t	6.5
7	80.0	80.0	80.0	80.0	80.0	80.0	80.0	7
7.5	80.0	80.0	80.0	80.0	80.0	80.0	80.0	7.5
8	80.0	80.0	80.0	80.0	80.0	80.0	80.0	8
9	80.0	80.0	80.0	80.0	80.0	80.0	80.0	9
10	80.0	80.0	80.0	80.0	80.0	80.0	80.0	10
11	80.0	80.0	77.6	77.6	77.6	77.6	77.6	11
12	77.6	77.6	76.7	74.9	73.7	71.8	70.3	12
13	70.2	69.4	68.1	66.4	65.2	63.5	61.9	13
14	62.8	62.1	60.9	59.2	58.1	56.3	54.9	14
15	14.8m x	14.8m x	14.8m x	14.8m x	14.8m x	14.8m x	14.8m x	15
16	57.8t	57.1t	55.8t	54.2t	53.1t	51.5t	49.9t	16
No. of Part Line	6	6	6	6	6	6	6	No. of Part Line

Unit: ton

Tower Length (m)	33.50							Tower Length (m)
Jib Length (m)	21.35	24.40	27.45	30.50	33.50	36.55	39.60	Jib Length (m)
Working Radius (m)								Working Radius (m)
6.5	7.3m x	7.3m x	7.3m x	7.3m x	7.3m x	7.3m x	7.3m x	6.5
7	80.0t	80.0t	80.0t	80.0t	80.0t	80.0t	80.0t	7
7.5	80.0	80.0	80.0	80.0	80.0	80.0	80.0	7.5
8	80.0	80.0	80.0	80.0	80.0	80.0	80.0	8
9	80.0	80.0	80.0	80.0	80.0	80.0	80.0	9
10	80.0	80.0	80.0	80.0	80.0	80.0	80.0	10
11	80.0	80.0	80.0	80.0	80.0	80.0	80.0	11
12	77.6	77.6	77.6	77.6	77.6	77.6	77.6	12
13	75.8	74.8	73.6	72.7	72.0	70.9	70.2	13
14	68.6	67.7	66.4	65.6	64.9	63.8	63.1	14
15	62.4	61.4	60.3	59.5	58.8	57.7	57.0	15
16	57.1	56.1	54.9	54.2	53.5	52.4	51.7	16
18	16.1m x	16.1m x	16.1m x	16.1m x	16.1m x	16.1m x	16.1m x	18
20	56.5t	55.5t	54.4t	53.6t	52.9t	51.8t	51.2t	20
No. of Part Line	6	6	6	6	6	6	6	No. of Part Line

Unit: ton

Tower Length (m)	33.50							Tower Length (m)
Jib Length (m)	42.65	45.70	48.75	51.80	54.85	57.90	60.95	Jib Length (m)
Working Radius (m)								Working Radius (m)
6.5	7.3m x	7.3m x	7.3m x	7.3m x	7.3m x	7.3m x	7.3m x	6.5
7	80.0t	80.0t	80.0t	80.0t	80.0t	80.0t	80.0t	7
7.5	80.0	80.0	80.0	80.0	80.0	80.0	80.0	7.5
8	80.0	80.0	80.0	80.0	80.0	80.0	80.0	8
9	80.0	80.0	80.0	80.0	80.0	80.0	80.0	9
10	80.0	80.0	80.0	80.0	80.0	80.0	80.0	10
11	77.6	77.6	77.6	77.6	77.6	77.6	77.6	11
12	77.1	76.4	75.1	73.4	72.2	70.5	69.0	12
13	68.7	68.0	66.9	65.1	64.1	62.4	60.9	13
14	61.6	61.1	59.8	58.2	57.1	55.4	54.1	14
15	55.6	54.9	53.8	52.2	51.2	49.6	48.2	15
16	50.4	49.7	48.5	47.0	46.0	44.5	43.1	16
18	16.1m x	16.1m x	16.1m x	16.1m x	16.1m x	16.1m x	16.1m x	18
20	49.8t	49.1t	48.0t	46.4t	45.4t	43.9t	42.5t	20
No. of Part Line	6	6	6	6	6	6	6	No. of Part Line

* For notes about the table above, refer to page 77.

■ Tower 36.55 m to 39.60 m Tower Head Hoisting



Unit: ton

Tower Length (m)	36.55							Tower Length (m)
Jib Length (m)	21.35	24.40	27.45	30.50	33.50	36.55	39.60	Jib Length (m)
Working Radius (m)								Working Radius (m)
7	7.7m x	7.7m x	7.7m x	7.7m x	7.7m x	7.7m x	7.7m x	7
7.5	80.0t	80.0t	80.0t	80.0t	80.0t	80.0t	80.0t	7.5
8	80.0	80.0	80.0	80.0	80.0	80.0	80.0	8
9	80.0	80.0	80.0	80.0	80.0	80.0	80.0	9
10	80.0	80.0	80.0	80.0	80.0	80.0	80.0	10
11	80.0	80.0	80.0	80.0	80.0	77.6	77.6	11
12	77.6	77.6	77.6	77.6	77.6	77.1	76.5	12
13	73.8	72.8	71.5	70.8	70.1	69.0	68.4	13
14	66.8	65.8	64.6	63.9	63.2	62.1	61.5	14
15	60.8	59.8	58.6	58.0	57.3	56.2	55.6	15
16	55.5	54.7	53.5	52.7	52.1	51.1	50.5	16
18	17.4m x	17.4m x	17.4m x	17.4m x	17.4m x	17.4m x	17.4m x	18
20	48.2t	47.4t	46.2t	45.3t	44.9t	43.8t	43.2t	20
No. of Part Line	6	6	6	6	6	6	6	No. of Part Line

Unit: ton

Tower Length (m)	36.55							Tower Length (m)
Jib Length (m)	42.65	45.70	48.75	51.80	54.85	57.90	60.95	Jib Length (m)
Working Radius (m)								Working Radius (m)
7	7.7m x	7.7m x	7.7m x	7.7m x	7.7m x	7.7m x	7.7m x	7
7.5	80.0t	80.0t	80.0t	80.0t	80.0t	80.0t	80.0t	7.5
8	80.0	80.0	80.0	80.0	80.0	80.0	80.0	8
9	80.0	80.0	80.0	80.0	80.0	80.0	80.0	9
10	80.0	80.0	80.0	80.0	80.0	80.0	77.6	10
11	77.6	77.6	77.6	77.6	77.6	77.6	76.7	11
12	75.0	74.4	73.3	71.6	70.5	68.8	67.4	12
13	67.0	66.4	65.2	63.6	62.5	61.0	59.5	13
14	60.1	59.6	58.4	56.9	55.8	54.3	52.9	14
15	54.3	53.7	52.5	51.1	50.0	48.5	47.2	15
16	49.1	48.5	47.5	46.0	45.0	43.5	42.2	16
18	17.4m x	17.4m x	17.4m x	17.4m x	17.4m x	17.4m x	17.4m x	18
20	41.9t	41.3t	40.4t	38.9t	37.9t	36.5t	35.3t	20
No. of Part Line	6	6	6	6	6	6	6	No. of Part Line

Unit: ton

Tower Length (m)	39.60							Tower Length (m)
Jib Length (m)	21.35	24.40	27.45	30.50	33.50	36.55	39.60	Jib Length (m)
Working Radius (m)								Working Radius (m)
7.5	8.2m x	8.2m x	8.2m x	8.2m x	8.2m x	8.2m x	8.2m x	7.5
8	80.0t	80.0t	80.0t	80.0t	80.0t	80.0t	80.0t	8
9	80.0	80.0	80.0	80.0	80.0	80.0	80.0	9
10	80.0	80.0	80.0	80.0	80.0	80.0	80.0	10
11	80.0	80.0	80.0	80.0	77.6	77.6	77.6	11
12	77.6	77.6	77.6	77.6	77.1	76.0	75.5	12
13	72.4	71.5	71.0	69.8	69.2	68.1	67.7	13
14	65.7	64.7	64.2	63.0	62.5	61.4	61.1	14
15	59.8	58.9	58.3	57.3	56.7	55.7	55.2	15
16	54.8	53.9	53.3	52.1	51.7	50.7	50.2	16
18	46.3	45.4	44.9	43.8	43.3	42.3	41.9	18
20	18.7m x	18.7m x	18.7m x	18.7m x	18.7m x	18.7m x	18.7m x	20
22	43.3t	42.4t	41.9t	40.8t	40.3t	39.3t	38.8t	22
No. of Part Line	6	6	6	6	6	6	6	No. of Part Line

Unit: ton

Tower Length (m)	39.60							Tower Length (m)
Jib Length (m)	42.65	45.70	48.75	51.80	54.85	57.90	60.95	Jib Length (m)
Working Radius (m)								Working Radius (m)
7.5	8.2m x	8.2m x	8.2m x	8.2m x	8.2m x	8.2m x	8.2m x	7.5
8	80.0t	80.0t	80.0t	80.0t	80.0t	80.0t	80.0t	8
9	80.0	80.0	80.0	80.0	80.0	80.0	80.0	9
10	80.0	80.0	80.0	80.0	80.0	77.6	77.6	10
11	77.6	77.6	77.6	77.6	77.6	76.4	74.9	11
12	74.2	72.8	71.6	70.0	68.9	67.4	66.0	12
13	66.4	65.0	63.9	62.3	61.4	59.7	58.4	13
14	59.7	58.4	57.3	55.8	54.8	53.3	51.9	14
15	54.0	52.7	51.6	50.1	49.1	47.7	46.4	15
16	48.9	47.7	46.6	45.2	44.3	42.8	41.6	16
18	40.7	39.4	38.4	37.0	36.1	34.8	33.5	18
20	18.7m x	18.7m x	18.7m x	18.7m x	18.7m x	18.7m x	18.7m x	20
22	37.8t	36.5t	35.5t	34.1t	33.2t	31.9t	30.6t	22
No. of Part Line	6	6	6	6	6	6	6	No. of Part Line

* For notes about the table above, refer to page 77.

■ Tower 42.65 m to 45.70 m Tower Head Hoisting



Unit: ton

Tower Length (m)	42.65							Tower Length (m)
Jib Length (m)	21.35	24.40	27.45	30.50	33.50	36.55	39.60	Jib Length (m)
Working Radius (m)								Working Radius (m)
7.5	8.6m x	8.6m x	8.6m x	8.6m x	8.6m x	8.6m x	8.6m x	7.5
8	80.0t	80.0t	80.0t	80.0t	80.0t	80.0t	80.0t	8
9	80.0	80.0	80.0	80.0	80.0	80.0	80.0	9
10	80.0	80.0	80.0	80.0	80.0	80.0	80.0	10
11	80.0	77.6	77.6	77.6	77.6	77.6	77.6	11
12	77.6	77.3	76.7	75.5	74.9	74.0	73.6	12
13	70.5	69.6	69.0	67.9	67.4	66.4	65.9	13
14	63.9	63.0	62.5	61.4	60.9	59.9	59.4	14
15	58.2	57.4	56.8	55.7	55.2	54.3	53.9	15
16	53.3	52.4	51.9	50.8	50.3	49.3	48.9	16
18	45.0	44.2	43.7	42.6	42.1	41.3	40.8	18
20	19.9m x	19.9m x	19.9m x	19.9m x	19.9m x	19.9m x	19.9m x	20
22	38.8t	38.0t	37.5t	36.4t	35.9t	35.1t	34.6t	22
No. of Part Line	6	6	6	6	6	6	6	No. of Part Line

Unit: ton

Tower Length (m)	42.65							Tower Length (m)
Jib Length (m)	42.65	45.70	48.75	51.80	54.85	57.90	60.95	Jib Length (m)
Working Radius (m)								Working Radius (m)
7.5	8.6m x	8.6m x	8.6m x	8.6m x	8.6m x	8.6m x	8.6m x	7.5
8	80.0t	80.0t	80.0t	80.0t	80.0t	80.0t	80.0t	8
9	80.0	80.0	80.0	80.0	80.0	80.0	80.0	9
10	80.0	80.0	80.0	77.6	77.6	77.6	77.6	10
11	77.6	77.6	77.6	77.1	76.0	74.3	73.0	11
12	72.2	70.9	69.8	68.2	67.2	65.6	64.3	12
13	64.6	63.4	62.2	60.8	59.8	58.2	57.0	13
14	58.2	56.9	55.8	54.4	53.4	51.9	50.7	14
15	52.6	51.4	50.3	48.9	48.0	46.5	45.2	15
16	47.8	46.5	45.4	44.1	43.2	41.8	40.6	16
18	39.6	38.5	37.5	36.1	35.3	33.9	32.7	18
20	19.9m x	19.9m x	19.9m x	19.9m x	19.9m x	19.9m x	19.9m x	20
22	33.5t	32.3t	31.4t	30.1t	29.2t	27.9t	26.8t	22
No. of Part Line	6	6	6	6	6	6	6	No. of Part Line

Unit: ton

Tower Length (m)	45.70							Tower Length (m)
Jib Length (m)	21.35	24.40	27.45	30.50	33.50	36.55	39.60	Jib Length (m)
Working Radius (m)								Working Radius (m)
8	9.1m x	9.1m x	9.1m x	9.1m x	9.1m x	9.1m x	9.1m x	8
9	80.0t	80.0t	80.0t	80.0t	80.0t	80.0t	80.0t	9
10	80.0	80.0	80.0	80.0	80.0	80.0	80.0	10
11	77.6	77.6	77.6	77.6	77.6	77.6	77.6	11
12	76.2	75.3	74.7	73.6	73.1	72.1	71.7	12
13	68.7	67.9	67.4	66.2	65.7	64.7	64.5	13
14	62.3	61.4	61.0	59.9	59.4	58.5	58.2	14
15	56.8	56.0	55.5	54.4	54.0	53.0	52.6	15
16	52.0	51.2	50.7	49.6	49.1	48.3	47.9	16
18	44.0	43.1	42.6	41.7	41.2	40.3	39.9	18
20	37.5	36.7	36.3	35.3	34.8	34.0	33.6	20
22	21.2m x	21.2m x	21.2m x	21.2m x	21.2m x	21.2m x	21.2m x	22
24	33.5t	32.8t	32.5t	31.4t	30.9t	30.2t	29.8t	24
No. of Part Line	6	6	6	6	6	6	6	No. of Part Line

Unit: ton

Tower Length (m)	45.70							Tower Length (m)
Jib Length (m)	42.65	45.70	48.75	51.80	54.85	57.90	60.95	Jib Length (m)
Working Radius (m)								Working Radius (m)
8	9.1m x	9.1m x	9.1m x	9.1m x	9.1m x	9.1m x	9.1m x	8
9	80.0t	80.0t	77.6t	77.6t	77.6t	77.6t	77.6t	9
10	80.0	80.0	77.6	77.6	77.6	77.6	77.6	10
11	77.6	77.6	76.7	75.1	74.1	72.5	71.1	11
12	70.5	69.2	68.0	66.6	65.6	64.1	62.8	12
13	63.2	61.9	60.9	59.4	58.4	57.0	55.7	13
14	56.9	55.6	54.6	53.2	52.2	50.9	49.6	14
15	51.5	50.2	49.2	47.9	46.9	45.5	44.4	15
16	46.7	45.5	44.5	43.2	42.2	40.9	39.7	16
18	38.8	37.6	36.7	35.4	34.5	33.2	32.1	18
20	32.4	31.4	30.4	29.1	28.4	27.0	25.9	20
22	21.2m x	21.2m x	21.2m x	21.2m x	21.2m x	21.2m x	21.2m x	22
24	28.7t	27.6t	26.6t	25.4t	24.7t	23.2t	22.3t	24
No. of Part Line	6	6	6	6	6	6	6	No. of Part Line

* For notes about the table above, refer to page 77.

■ Tower 48.75 m to 51.80 m Tower Head Hoisting



Unit: ton

Tower Length (m)	48.75							Tower Length (m)
Jib Length (m)								Jib Length (m)
Working Radius (m)	21.35	24.40	27.45	30.50	33.50	36.55	39.60	Working Radius (m)
8	9.5m x 80.0t	9.5m x 80.0t	9.5m x 80.0t	9.5m x 80.0t	9.5m x 80.0t	9.5m x 80.0t	9.5m x 80.0t	8
9								9
10	80.0	80.0	80.0	80.0	80.0	80.0	80.0	10
11	77.6	77.6	77.6	77.6	77.6	77.6	77.6	11
12	74.1	73.2	72.7	71.5	71.1	70.2	69.8	12
13	66.9	66.0	65.5	64.4	64.0	63.0	62.7	13
14	60.7	59.8	59.3	58.2	57.9	56.9	56.6	14
15	55.2	54.5	54.0	52.9	52.5	51.6	51.3	15
16	50.6	49.7	49.3	48.3	47.9	46.9	46.6	16
18	42.7	42.0	41.5	40.4	40.0	39.1	38.8	18
20	36.4	35.6	35.2	34.2	33.8	32.9	32.6	20
22	31.3	30.5	30.0	29.1	28.7	27.9	27.5	22
24	22.5m x 29.9t	22.5m x 29.1t	22.5m x 28.7t	22.5m x 27.7t	22.5m x 27.3t	22.5m x 26.6t	22.5m x 26.1t	24
26								26
No. of Part Line	6	6	6	6	6	6	6	No. of Part Line

Unit: ton

Tower Length (m)	48.75							Tower Length (m)
Jib Length (m)								Jib Length (m)
Working Radius (m)	42.65	45.70	48.75	51.80	54.85	57.90	60.95	Working Radius (m)
8	9.5m x 80.0t	9.5m x 80.0t	9.5m x 80.0t	9.5m x 77.6t	9.5m x 77.6t	9.5m x 76.6t	9.5m x 75.4t	8
9								9
10	80.0	80.0	80.0	76.7	75.8	74.5	73.4	10
11	76.5	75.4	74.4	73.0	72.0	70.5	69.2	11
12	68.5	67.3	66.2	64.7	63.8	62.3	61.1	12
13	61.4	60.2	59.2	57.8	56.9	55.4	54.2	13
14	55.4	54.2	53.2	51.7	50.9	49.5	48.4	14
15	50.1	48.9	48.0	46.6	45.6	44.4	43.2	15
16	45.4	44.3	43.3	42.0	41.2	39.8	38.7	16
18	37.7	36.6	35.6	34.4	33.6	32.3	31.2	18
20	31.6	30.4	29.5	28.3	27.5	26.2	25.2	20
22	26.4	25.4	24.5	23.3	22.6	21.3	20.3	22
24	22.5m x 25.1t	22.5m x 24.1t	22.5m x 23.2t	22.5m x 22.1t	22.5m x 21.3t	22.5m x 20.0t	22.5m x 19.1t	24
26								26
No. of Part Line	6	6	6	6	6	6	6	No. of Part Line

Unit: ton

Tower Length (m)	51.80							Tower Length (m)
Jib Length (m)								Jib Length (m)
Working Radius (m)	21.35	24.40	27.45	30.50	33.50	36.55	39.60	Working Radius (m)
10	78.1	77.3	77.0	76.0	75.7	74.9	74.8	10
11	75.0	74.2	73.9	72.9	72.6	71.8	71.7	11
12	69.9	69.1	68.8	67.8	67.6	66.8	66.7	12
13	65.6	64.7	64.4	63.2	62.8	61.9	61.6	13
14	59.6	58.7	58.3	57.3	56.9	56.0	55.7	14
15	54.4	53.6	53.1	52.0	51.7	50.8	50.5	15
16	49.8	48.9	48.5	47.5	47.1	46.3	45.9	16
18	42.0	41.3	40.9	39.9	39.5	38.7	38.4	18
20	35.9	35.2	34.8	33.8	33.4	32.5	32.3	20
22	30.9	30.1	29.7	28.8	28.4	27.6	27.3	22
24	23.8m x 27.0t	23.8m x 26.3t	23.8m x 25.8t	23.8m x 25.0t	23.8m x 24.6t	23.8m x 23.8t	23.8m x 23.5t	24
26								26
No. of Part Line	6	6	6	6	6	6	6	No. of Part Line

Unit: ton

Tower Length (m)	51.80							Tower Length (m)
Jib Length (m)								Jib Length (m)
Working Radius (m)	42.65	45.70	48.75	51.80	54.85	57.90	60.95	Working Radius (m)
10	73.8	72.7	71.8	70.6	69.7	68.4	67.3	10
11	70.6	69.6	68.6	67.4	66.5	65.3	64.1	11
12	65.6	64.6	63.7	62.5	61.6	60.4	59.2	12
13	60.5	59.2	58.2	56.9	55.9	54.6	53.4	13
14	54.6	53.3	52.3	51.0	50.1	48.7	47.6	14
15	49.4	48.3	47.3	45.9	45.1	43.8	42.6	15
16	44.9	43.7	42.8	41.5	40.7	39.3	38.3	16
18	37.3	36.2	35.3	34.1	33.2	32.0	30.9	18
20	31.2	30.1	29.2	28.1	27.3	26.0	25.1	20
22	26.2	25.2	24.3	23.1	22.5	21.2	20.2	22
24	23.8m x 22.5t	23.8m x 21.5t	23.8m x 20.6t	23.8m x 19.4t	23.8m x 18.8t	23.8m x 17.6t	23.8m x 16.6t	24
26								26
No. of Part Line	6	6	6	6	6	6	6	No. of Part Line

* For notes about the table above, refer to page 77.

■ Tower 54.85 m to 57.90 m Tower Head Hoisting



54.85								Unit: ton
Tower Length (m)								Tower Length (m)
Jib Length (m)								Jib Length (m)
Working Radius (m)								Working Radius (m)
9	10.4m x	10.4m x	10.4m x	10.4m x	10.4m x	10.4m x	10.4m x	9
10	69.2t	68.9t	68.0t	67.9t	67.1t	66.2t	65.2t	10
11	67.4	67.1	66.2	66.1	65.3	64.4	63.4	11
12	64.7	64.5	63.5	63.4	62.7	61.7	60.7	12
13	60.3	60.1	59.2	59.0	58.3	57.4	56.4	13
14	57.7	57.4	56.3	56.0	55.2	54.2	53.1	14
15	52.6	52.2	51.3	51.0	50.2	49.1	48.1	15
16	48.2	47.8	46.8	46.5	45.7	44.8	43.7	16
18	40.6	40.3	39.3	39.0	38.3	37.3	36.2	18
20	34.6	34.2	33.3	33.0	32.3	31.3	30.3	20
22	29.6	29.2	28.4	28.1	27.3	26.4	25.4	22
24	25.5	25.1	24.2	23.9	23.2	22.3	21.3	24
26	25.1m x	25.1m x	25.1m x	25.1m x	25.1m x	25.1m x	25.1m x	26
28	23.1t	22.7t	21.9t	21.6t	20.9t	19.9t	19.0t	28
No. of Part Line	6	6	6	6	5	5	5	No. of Part Line

54.85							Unit: ton
Tower Length (m)							Tower Length (m)
Jib Length (m)							Jib Length (m)
Working Radius (m)							Working Radius (m)
9	10.4m x	10.4m x	10.4m x	10.4m x	10.4m x	10.4m x	9
10	64.1t	63.2t	62.0t	61.2t	59.9t	58.8t	10
11	62.3	61.4	60.2	59.4	58.1	57.0	11
12	59.6	58.7	57.5	56.7	55.4	54.3	12
13	55.3	54.5	53.3	52.5	51.3	50.1	13
14	51.9	51.0	49.6	48.7	47.5	46.3	14
15	46.9	45.9	44.7	43.9	42.5	41.5	15
16	42.5	41.6	40.4	39.5	38.3	37.2	16
18	35.2	34.3	33.0	32.3	31.1	30.0	18
20	29.2	28.4	27.2	26.4	25.3	24.3	20
22	24.4	23.5	22.4	21.7	20.5	19.5	22
24	20.3	19.4	18.4	17.6	16.5	15.6	24
26	25.1m x	25.1m x	25.1m x	25.1m x	25.1m x	25.1m x	26
28	18.0t	17.1t	16.1t	15.3t	14.3t	13.3t	28
No. of Part Line	5	5	5	5	5	5	No. of Part Line

57.90								Unit: ton
Tower Length (m)								Tower Length (m)
Jib Length (m)								Jib Length (m)
Working Radius (m)								Working Radius (m)
9	10.9m x	10.9m x	10.9m x	10.9m x	10.9m x	10.9m x	10.9m x	9
10	60.6t	59.7t	59.6t	58.9t	58.0t	57.0t	55.9t	10
11	60.1	59.2	59.1	58.4	57.5	56.5	55.5	11
12	57.8	56.9	56.8	56.0	55.1	54.1	53.1	12
13	55.5	54.6	54.5	53.8	52.9	51.9	50.8	13
14	53.5	52.5	52.4	51.7	50.8	49.7	48.7	14
15	49.9	49.0	48.8	48.2	47.3	46.3	45.2	15
16	46.8	45.9	45.6	44.9	43.9	42.8	41.8	16
18	39.5	38.6	38.4	37.6	36.6	35.5	34.5	18
20	33.6	32.6	32.4	31.7	30.7	29.7	28.7	20
22	28.7	27.8	27.5	26.8	25.9	24.9	23.9	22
24	24.6	23.7	23.4	22.7	21.9	20.9	19.9	24
26	21.1	20.2	20.0	19.3	18.4	17.5	16.5	26
28	26.4m x	26.4m x	26.4m x	26.4m x	26.4m x	26.4m x	26.4m x	28
30	20.3t	19.4t	19.4t	18.5t	17.6t	16.8t	15.9t	30
No. of Part Line	5	5	5	5	5	5	5	No. of Part Line

57.90						Unit: ton
Tower Length (m)						Tower Length (m)
Jib Length (m)						Jib Length (m)
Working Radius (m)						Working Radius (m)
9	10.9m x	10.9m x	10.9m x	10.9m x	10.9m x	9
10	55.1t	53.9t	53.1t	51.9t	50.8t	10
11	54.6	53.4	52.6	51.4	50.3	11
12	52.2	51.0	50.2	49.0	47.9	12
13	49.9	48.8	47.9	46.7	45.6	13
14	47.8	46.6	45.8	44.6	43.5	14
15	44.4	43.3	42.4	41.3	40.2	15
16	40.8	39.6	38.8	37.6	36.5	16
18	33.6	32.4	31.7	30.5	29.4	18
20	27.9	26.7	25.9	24.8	23.8	20
22	23.0	22.0	21.2	20.1	19.2	22
24	19.1	18.0	17.3	16.2	15.3	24
26	15.7	14.7	13.9	12.9	12.0	26
28	26.4m x	26.4m x	26.4m x	26.4m x	26.4m x	28
30	15.0t	14.0t	13.2t	12.2t	11.3t	30
No. of Part Line	5	4	4	4	4	No. of Part Line

* For notes about the table above, refer to page 77.

■ Tower 60.95 m Tower Head Hoisting



Tower Length (m)		60.95						Tower Length (m)		
Jib Length (m)								Jib Length (m)		
Working Radius (m)		30.50	33.50	36.55	39.60	42.65	45.70	48.75	Working Radius (m)	
10	11.3m x	11.3m x	11.3m x	11.3m x	11.3m x	11.3m x	11.3m x	11.3m x	10	
11	47.9t	47.7t	46.9t	46.8t	45.7t	45.8t	45.0t	45.0t	11	
12	46.4	46.2	45.4	45.3	44.3	44.3	43.5	43.5	12	
13	44.5	44.3	43.5	43.4	42.4	42.4	41.5	41.5	13	
14	42.8	42.5	41.7	41.6	40.6	40.6	39.7	39.7	14	
15	41.1	40.9	40.0	39.9	38.9	38.9	38.0	38.0	15	
16	39.5	39.3	38.4	38.3	37.3	37.3	36.4	36.4	16	
18	35.4	35.2	34.4	34.3	33.2	33.2	32.3	32.3	18	
20	30.7	30.3	29.5	29.2	28.2	28.2	28.0	27.2	20	
22	25.9	25.6	24.8	24.5	23.5	23.3	22.5	22.5	22	
24	22.0	21.6	20.8	20.6	19.5	19.4	18.6	18.6	24	
26	18.6	18.2	17.5	17.2	16.2	16.0	15.2	15.2	26	
28	27.7m x	27.7m x	27.7m x	27.7m x	27.7m x	27.7m x	27.7m x	27.7m x	28	
30	16.1t	15.7t	15.0t	14.7t	13.7t	13.5t	12.8t	12.8t	30	
No. of Part Line	4	4	4	4	4	4	4	4	No. of Part Line	

Tower Length (m)		60.95				Tower Length (m)	
Jib Length (m)						Jib Length (m)	
Working Radius (m)		51.80	54.85	57.90	60.95	Working Radius (m)	
10	11.3m x	11.3m x	11.3m x	11.3m x	11.3m x	10	
11	43.9t	43.1t	41.9t	40.9t	40.9t	11	
12	42.3	41.6	40.4	39.3	39.3	12	
13	40.4	39.6	38.4	37.4	37.4	13	
14	38.6	37.8	36.6	35.6	35.6	14	
15	36.9	36.1	34.9	33.9	33.9	15	
16	35.3	34.5	33.3	32.2	32.2	16	
18	31.3	30.5	29.3	28.3	28.3	18	
20	26.0	25.4	24.2	23.2	23.2	20	
22	21.4	20.7	19.5	18.7	18.7	22	
24	17.5	16.8	15.8	14.8	14.8	24	
26	14.2	13.5	12.5	11.6	11.6	26	
28	27.7m x	27.7m x	27.7m x	27.7m x	27.7m x	28	
30	11.7t	11.0t	10.0t	9.2t	9.2t	30	
No. of Part Line	4	4	4	4	4	No. of Part Line	

* For notes about the table above, refer to page 77.

Weights and Dimensions of Disassembled Units

Weights and Dimensions List

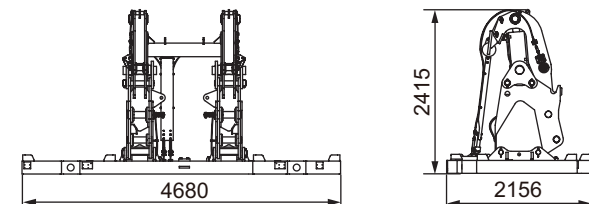
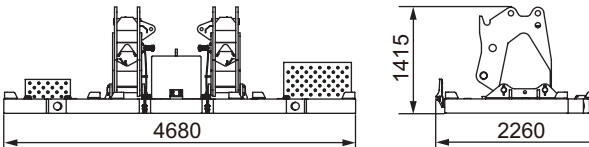
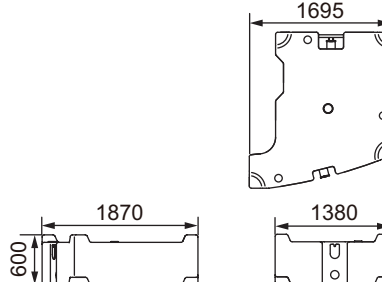
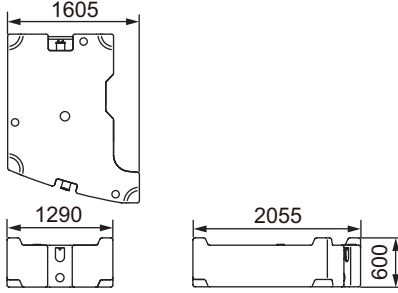
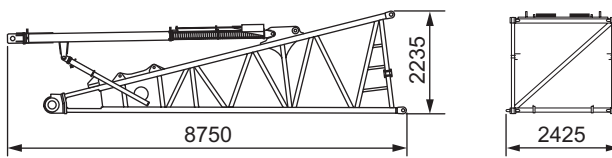
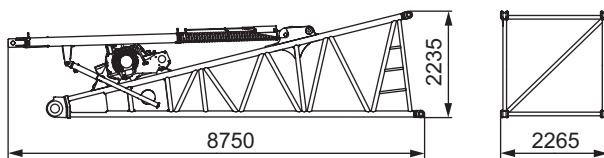
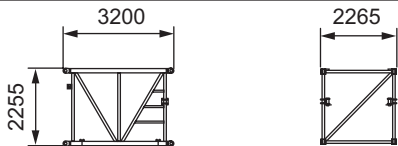
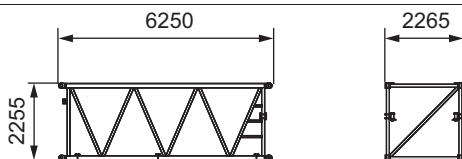
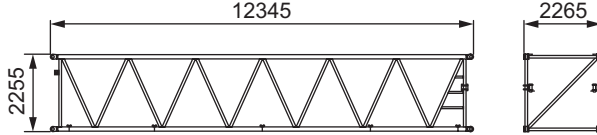
Comply with the regulations when transporting.
"Weight" refers to the mass of each single unit.

Weights and Dimensions of Disassembled Units

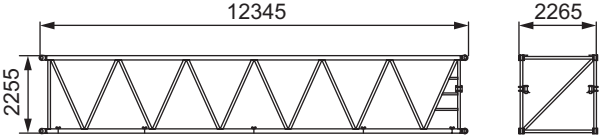
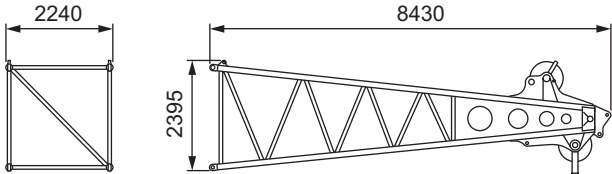
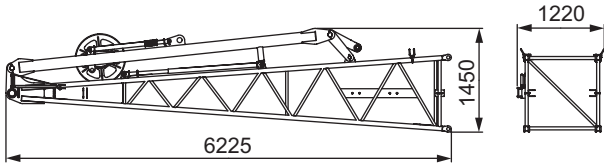
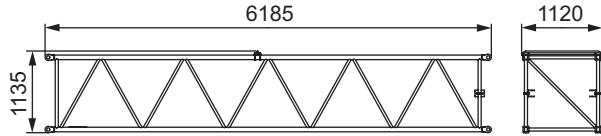
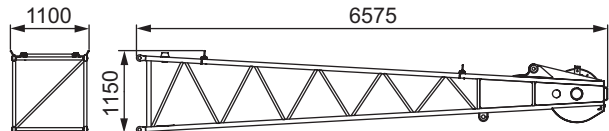
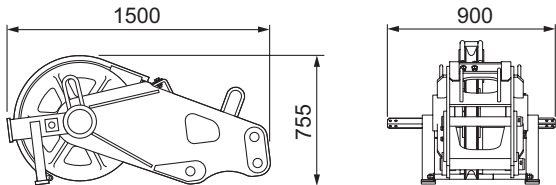
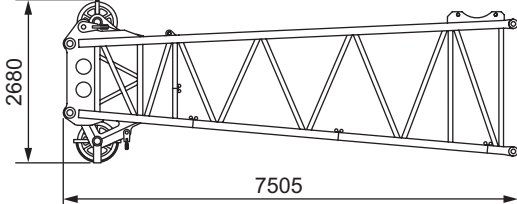
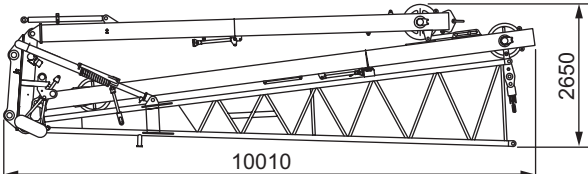
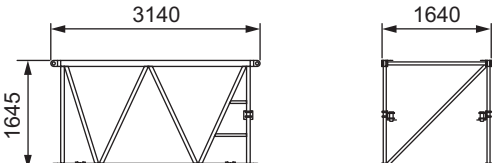
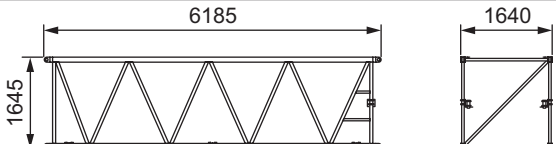
Description	Qty	Dimensions (mm)	Weight (kg)
Base Crane with: Mast Boom Hoist Winch Wire Rope Front Winch Wire Rope Jacks	1		44850
Base Crane with: Mast Boom Hoist Winch Wire Rope Front Winch Wire Rope Without: Jacks	1		42700
Crawler (ASSY) Standard Shoe	2		22700
Crawler (ASSY) Wide Shoe (Optional)	2		23500
Jack Beam	4		545
Lower Weight	2		12000

With upper house handrails, the weight of the main unit increases by 150 kg.

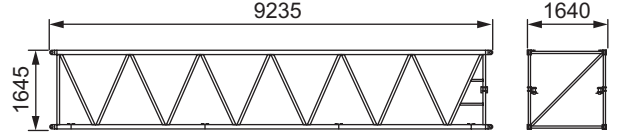
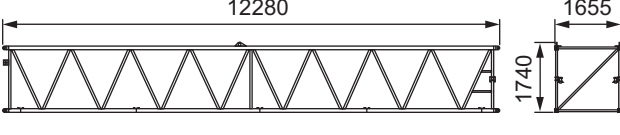
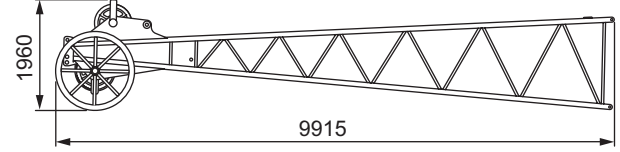
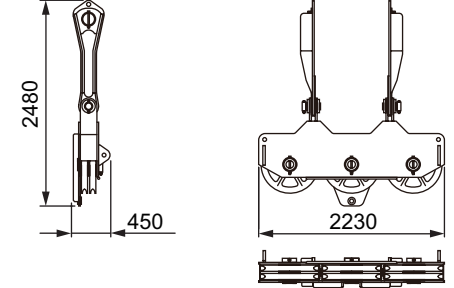
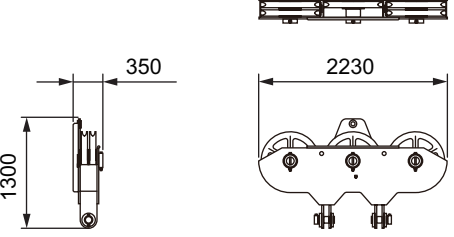
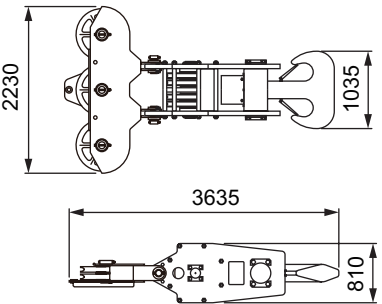
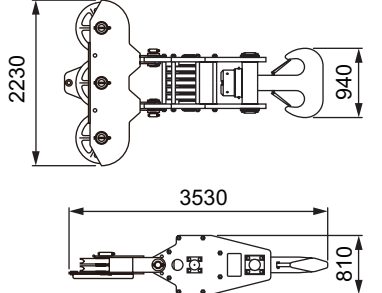
Weights and Dimensions of Disassembled Units

Description	Qty	Dimensions (mm)	Weight (kg)
Counter Weight with: Self Assembly Unit (Base)	1		15300
Counter Weight without: Self Assembly Unit (Base)	1		15500
Counter Weight (Right)	5		8380
Counter Weight (Left)	5		8580
Boom Base with: Connect Pin Backstop	1		4960
Boom Base with: Jib Hoist Boom Winch Connect Pin Backstop	1		7670
3 m Heavy Boom Insert with: Connect Pin without: Pendant Rope	1		800
6 m Heavy Boom Insert with: Connect Pin without: Pendant Rope	1		1370
12 m Heavy Boom Insert with: Connect Pin without: Pendant Rope	1		2510

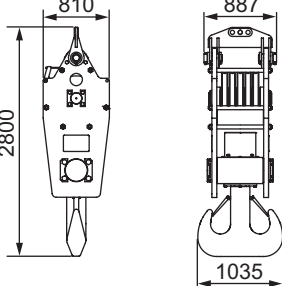
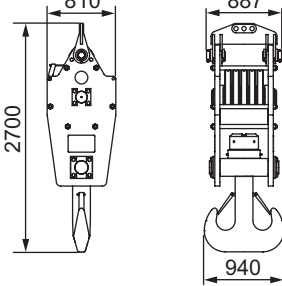
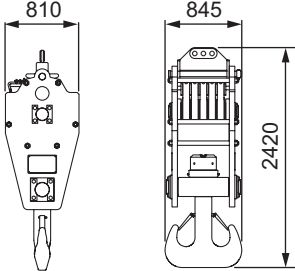
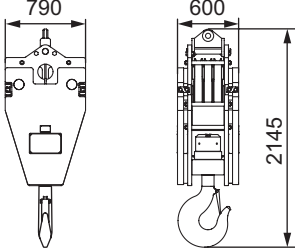
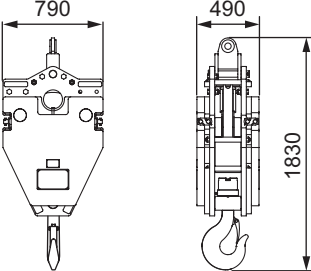
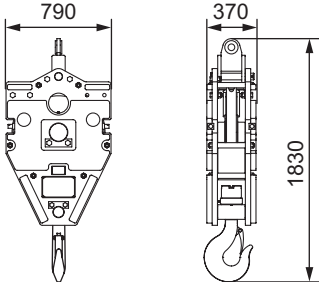
Weights and Dimensions of Disassembled Units

Description	Qty	Dimensions (mm)	Weight (kg)
12 m Boom Insert with: Connect Pin without: Pendant Rope	1		2340
Boom Top	1		3300
Crane Jib Base with: Connect Pin Jib Strut	1		1040
6 m Crane Jib Insert with: Connect Pin	1		320
Crane Jib Top	1		570
Aux. Sheave	1		324
Tower Boom Top	1		3300
Strut Assembly	1		6250
3 m Tower Jib Insert with: Connect Pin without: Pendant Rope	1		300
6 m Tower Jib Insert with: Connect Pin without: Pendant Rope	1		500

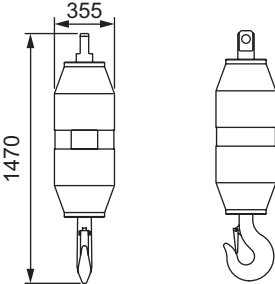
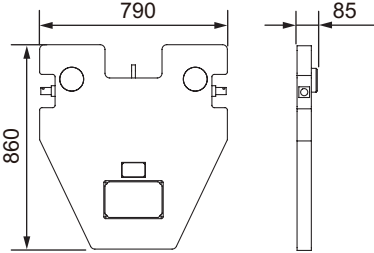
Weights and Dimensions of Disassembled Units

Description	Qty	Dimensions (mm)	Weight (kg)
9 m Tower Jib Insert with: Connect Pin without: Pendant Rope	1		700
12 m Tower Jib Insert with: Connect Pin without: Pendant Rope	1		1100
Tower Jib Top	1		1700
275 / 250 t Hook Upper Spreader	1		1300
275 / 250 t Hook Lower Spreader	1		973
275 t Hook with Lower Spreader	1		4280
250 t Hook with Lower Spreader	1		3710

Weights and Dimensions of Disassembled Units

Description	Qty	Dimensions (mm)	Weight (kg)
275 t Hook	1		3310
250 t Hook	1		2740
145 t Hook	1		2350
80 t Hook	1		2000
35 t Hook	1		1400
27 t Hook	1		900
		<p>* Attach two hook weights (250 kg) to the left and right of the 27 t hook when operating.</p>	

Weights and Dimensions of Disassembled Units

Description	Qty	Dimensions (mm)	Weight (kg)
13.5 t Hook	1		620
Hook Weight (for 35 t Hook)	2		250

Equipment List

Standard and Optional Equipment

○ : Standard ● : Optional - : No Setting

	Item	Crane	Crane / Tower	
Lower Structure	1,120 mm Shoe	○	○	
	1,260 mm Shoe	●	●	
	Crawler Side Frame Connecting Unit	○	○	
	Steps	○	○	
	Shoe Tension Unit (Shim Adjusting Type)	○	○	
	Shoe Tension Unit (Hydraulic Type)	●	●	
	Jack Up Unit	○	○	
Upper Structure	Cab Up/Down Catwalk	○	○	
	Under Cover (Cab, Left / Right, Under Surface)	○	○	
	Working Light (×2)	○	○	
	Back Mirror (Left and Right)	○	○	
	Central Lubrication Unit (Turntable Bearing)	○	○	
	Drum Flange Cover	○	○	
	Auto Idle Stop	○	○	
	Eco Winch	○	○	
	Winch Rope Retainer (Front Winch)	●	●	
	Winch Rope Retainer (Rear Winch)	●	●	
	Mast (Gantry) Lift Cylinder	○	○	
	Catwalk without Handrail (Folding Type, Left / Right)	○	○	
	Catwalk with Handrail (Folding Type, Left / Right)	● / ○ *1	● / ○ *1	
	Handrails (Folding Type)	○	○	
	Electric Fuel Pump	●	●	
	Cab	Tilt Cab (0 to 18°)	○	○
		Air Conditioner	○	○
Sunvisor		○	○	
Sunshade		○	○	
Wiper with Washer (Front Window, Cab Roof Window)		○	○	
Microphone & Loudspeaker		●	●	
AM/FM Radio (With Clock)		○	○	
Room Lamp		○	○	
Cup Holder		○	○	
24-V Power Socket (×2)		○	○	
Floor Carpet		○	○	
Level Gauge (Cab / Lower Structure)		○	○	
Arm Chair Lever		○	○	
Cross-Operation Lever (Lever Lock not attached)		● / ○ *1	● / ○ *1	
Seat with Suspension		○	○	
Accelerator Grip		○	○	
Accelerator Pedal (Right Side)		●	●	
Travel Operation Pedal		●	●	
Boom Hoist Operation Pedal *2		●	●	
Swing Brake Operation Pedal *2		●	●	
Fire Extinguisher (ABC 4 Kg)		● / ○ *1	● / ○ *1	
Fan		●	●	
Fuel Burning Heater		●	●	
Drum Rotation Sensor (Front / Rear / Boom Hoist) *3		○	○	
Speed Control Dial (Front / Rear / Boom Hoist / Swing)		○	○	
Life Hammer		○	○	

*1 European specification only.

*2 Cannot be installed at the same time.

*3 Cannot be equipped when the cross operation lever or front operation lever is installed.

○ : Standard ● : Optional - : No Setting

Item		Crane	Crane / Tower
Attachment	15.25 m Basic Boom	○	○
	3.05 m Heavy Boom Insert	●	●
	6.10 m Heavy Boom Insert	●	●
	12.20 m Heavy Boom Insert	●	●
	12.20 m Boom Insert	●	●
	Parts Set for 12.2 m Crane Jib [12.2 m Basic Jib, Anti-two Block, Jib Mast]	●	●
	6.10 m Crane Jib Insert	●	●
	60.95 m Tower Boom	-	○
	60.95 m Tower Jib	-	○
	Midpoint Pendant Rope (Required when Boom Length Exceeds 88.40 m)	●	●
	Parts Set for Auxiliary Sheave [Auxiliary Sheave, Auxiliary Sheave Anti-two Block]	●	●
	275t/145t Hook (145t Hook with 5 Sheaves Upper / Lower Spreader)	●	●
	5 Sheaves Upper / Lower Spreader for 275t Lifting	●	●
	145t Hook (5 Sheaves, 275t Lifting Available with Upper / Lower Spreader)	●	●
	250t/145 Hook (145t Hook with 5 Sheaves Upper / Lower Spreader)	●	●
	5 Sheaves Upper / Lower Spreader for 250t Lifting	●	●
	145t Hook (5 Sheaves, 250t Lifting Available with Upper / Lower Spreader)	●	●
	145t Hook (5 Sheaves)	●	●
	80t Hook (3 Sheaves)	●	●
	35t Hook (1 Sheave) (27 t Hook with Hook Weights)	●	●
	27t Hook (1 Sheave)	●	●
	13.5t Ball Hook	●	●
Boom Foot Pin Removal/Installation Cylinder	○	○	
Wire Rope	Front Winch (Φ28)	P · S (19) + 39 x P · 7	○
	Rear Winch (Φ28)	XP IWRC 6 x WS (31)	●
	Rear Winch (Φ28)	P · S (19) + 39 x P · 7	●
	Boom Hoist Winch		●
	Jib Hoist Boom Winch	IWRC 6 x WS (31)	-
Safety Device	Moment Limiter (M/L)	○	○
	3 Color Percentage Indicator Light	● / ○ *1	● / ○ *1
	Gate Lock Lever	○	○
	Individual Operation Lever Lock (Hoist, Boom Hoist, Travel) *4	○	○
	Automatic Drum Lock (Boom Hoist)	○	○
	Winch Drum Lock (Front, Rear)	○	○
	Lowering Limiter (Winch Drum Dead Turns Detective Device)	● / ○ *1	● / ○ *1
	Swing Lock	○	○
	Swing Alarm	○	○
	Travel Alarm	○	○
	Auto Slowdown (Slow Stop)	○	○
	Boom Hoist Limiting Device	○	○
	Secondary Boom Overhoist Prevent Device	○	○
	Engine Start Interlock System	○	○
	Emergency Engine Stop Switch (In Cab)	○	○
	Lifting Height Indication Device	○	○
	Swing Neutral Free/Brake Selection Switch	○	○
	Anti-two Block	○	○
	Tower Strut Overhoist Prevention System	-	○
	Tower Jib Overhoist Prevention System	-	○
	Secondary Tower Jib Overhoist Prevention Device	-	○
	Tower Jib Connection Detection Device	-	○
	Tower Jib Position Detection Device	-	○
	Swing Restriction Unit	●	●
	Anemometer	○	○
	Tower Jib Top Crane Boom Camera Monitor System	-	●
	Drum and Rear View Monitor System (6 Cameras)	●	●
	Cab Roof Window Guard	● / ○ *1	● / ○ *1

*4 An operation lever lock is not attached to the front, rear or hoist when the cross operation lever is installed.

○ : Standard ● : Optional - : No Setting

Item		Crane	Crane / Tower
Common Part	Boom Back Stop	○	○
	Boom Angle Sensor	○	○
	Boom Lifting Piece	○	○
	Remote Sensing (Mobile Communication Terminal / Data Logging Device)	○	○
	Assembly Pad *5	○	○
	Reduction Counter Weight Specification *6	●	●
	Quick Draw for Side Frame Self Assembly (Including Sling)	●	●
	Counter Weight Self-Assembly Unit	●	●
	Skywalk with Stanchion	●	●
	Skywalk without Stanchion	●	●
	Boom Top Under Surface Buffer (Protector)	●	●
	Reeving Winch (4 × F (30) Φ8 mm × 250 m)	●	●
	Additional Spare Parts (Hydraulic Oil Filter)	●	●
Additional Tools (Large Hammer, Crowbar, Chisel)	●	●	

*5 The assembly pad is required for the following attachments.

- Crane Boom Length : 91.45 m
- Crane Boom Length 88.40 m + Aux. Sheave
- Tower Boom Length 60.95 m

*6 The reduction counter weight specification can only be used for the crane specification, with the exception of the crane jib.

A series of horizontal dashed lines for writing, spanning the width of the page.

- We are constantly improving our products and therefore reserve the right to change designs and specifications without notice.
- Units in this specification are shown under International System of Units; the figures in parenthesis are under Gravitational System of Units as old one.

Sumitomo Heavy Industries Construction Cranes Co., Ltd.

9-3, Higashi-Ueno 6-chome, Taito-ku, Tokyo 110-0015, Japan
Phone: 81-3-3845-1387 Facsimile: 81-3-3845-1394

<http://www.hsc-cranes.com>