

Atlas Copco Surface Drill Rigs

FlexiROC T35, T40 and T35 -LF

Technical specification



FlexiROC T35, T40 and T35 -LF (Long Feed) are the ideal choice for construction sites and aggregate quarries.

Main components:

- Track frames with single grouser pads and cleaning holes, hydraulic track oscillation and two speed traction
- Caterpillar turbo charged diesel engine C 7 or C 7.1
- Atlas Copco screw type compressor
- Operator's cabin, ROPS and FOPS approved
- Folding boom system
- Aluminum profile feed beam
- Hydraulic cylinder feed system
- Carousel type rod handling system
- Hydraulic rock drill
- Dust collection system

| Hole range | | | |
|--|---------------|-----------|-------------|
| FlexiROC T35 and T35 -LF | T38, T45, T51 | 64-115 mm | 2 ½" - 4 ½" |
| FlexiROC T40 | T45, T51 | 76-115 mm | 3" - 4 ½" |
| Hydraulic rod handling system for max hole depth, with 3,6 m (12') extension rods | | | |
| FlexiROC T35 | T38, T45/ T51 | 28 m/ 21m | 92' / 69' |
| FlexiROC T40 | T45, T51 | 28 m | 92' |
| Hydraulic rod adding system for max hole depth, with 6,1 m + 4,2 m (20' + 14') extension rods | | | |
| FlexiROC T35 -LF | T38, T45, T51 | 10 m | 33' |



Specifications

FlexiROC T35, T40 and T35 -LF

Engine

Caterpillar turbo charged, diesel engine, CAT C7, Tier 3/stage IIIA
 • Power rating at 2200 rpm168 kW 225 HP
 Caterpillar turbo charged, diesel engine, CAT C7.1, Tier 4/stage IIIB
 • Power rating at 2200 rpm 168 kW 225 HP

Feed

Hydraulic cylinder feed with hose guide and double drill steel support with movable lower guide/dust hood

- Feed extension 1 400 mm 4'7"
- Feed rate, max 0.92 m/s 184 ft/min
- Feed force, max 20 kN 4 400 lbf
- Tractive pull, max 20 kN 4 400 lbf

FlexiROC T35 and T40

- Total length 7 140 mm 23'5"
- Travel length 4 240 mm 14'

FlexiROC T35-LF

- Total length 8 240 mm 27'7"
- Travel length 5 670 mm 18'7"

Dust collector DCT 110D

- Filter area11 m² 118 sq.ft
- Number of filter elements11 pcs
- Suction capacity at 500 mm wg560 l/s 1 200 cfm
- Suction hose diam127 mm 5"
- Cleaning air pressure, max7.5 bar 109 psi
- Cleaning air consumption2-4 l/pulse 0.06 - 0.12 cu.ft/pulse

Safety cabin

- ROPS and FOPS approved with rubber vibration dampers
- 2 x wipers with washer
- Clear laminated glass (front and roof windows)
- Clear toughened glass (side and rear windows)
- Fully adjustable operator's seat
- Adjustable foot rest
- Cabin light
- Rig inclination indicator
- Rear view mirror
- Fire extinguisher, 6 kg (13 lbs) dry chemical type ABE class III type
- Outlet socket, 24 V
- Prepared with speakers for CD-radio
- Combined front mounted platform/tool box
- Electric combined engine/inclination/hole depth instrument

Air conditioner

- RefrigerantR134a
- Cooling capacity5,5 kW
- Fan suction capacity125 l/s 265 cfm

Compressor

Atlas Copco OIS K-27-C106 GD, screw compressor
 FlexiROC T35 and T35 -LF

- Working pressure, max 10.5 bar 152 psi
 - FAD, at normal working pressure 127 l/s 270 cfm
- FlexiROC T40
- Working pressure, max 10.5 bar 152 psi
 - FAD, at normal working pressure 136 l/s 288 cfm

Hydraulic system

- Anti-jamming
 - Automatic feed force control RPC-F
 - Damper pressure control - impact DPC-I
- Hydraulic oil cooler
- Max ambient temperature 50°C 122°F
- Pumps
- Axial piston pump (1)150 l/min 39.6 US gal/min
 - Gear pump (2)80 l/min 21.1 US gal/min
 - Gear pump (3)40 l/min 10.6 US gal/min
 - Gear pump (4)40 l/min 10.6 US gal/min
- Return and drainage filters
- Filtration rate16 µm absolute

Electrical system

- Voltage 24 V
- Batteries 2 x 12 V, 185 Ah
- Alternator 28 V, 95 Ah
- Work lights, front 4 x 70 W
- Work lights, rear 2 x 70 W
- Work lights, feed 2 x 70 W
- Warning lamp and reverse buzzer

Volumes

- Hydraulic oil tank 250 l 65 US gal
- Hydraulic system, total 300 l 79 US gal
- Compressor oil 24 l 6.3 US gal
- Diesel engine oil 28 l 7.4 US gal
- Diesel engine, cooling water 35 l 9.2 US gal
- Diesel engine, fuel tank 370 l 98 US gal
- Traction gear 3 l 0.8 US gal
- Lubrication tank (ECL) 10 l 2.6 US gal

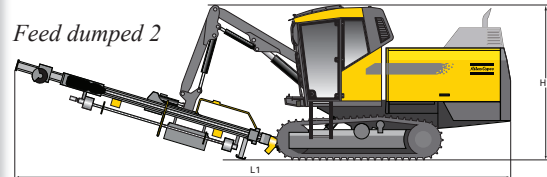
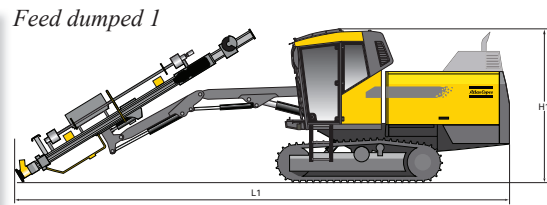
Hydraulic rock drill

| Rock drill | Drill rig | Impact power | | Hydraulic pressure, max | | Impact rate | Torque, max | | Weight approx | |
|-------------|--------------------------|--------------|---------|-------------------------|-----------|-------------|-------------|--------------|---------------|--------|
| COP 1840 | FlexiROC T35 and T35 -LF | 20 kW | 26.8 hp | 230 bar | 3 335 psi | 42-50 Hz | 1180 Nm | 870 lbf/ft | 175 kg | 385 lb |
| COP 1840 EX | | | | | | | | | 230 kg | 507 lb |
| COP 2560 | FlexiROC T40 | 25 kW | 33.5 hp | 230 bar | 3 190 psi | 44 Hz | 1 810 Nm | 1 335 lbf/ft | 187 kg | 412 lb |
| COP 2560 EX | | | | | | | | | 249 kg | 549 lb |

Transport dimensions

FlexiROC T35, T40 and T35 -LF

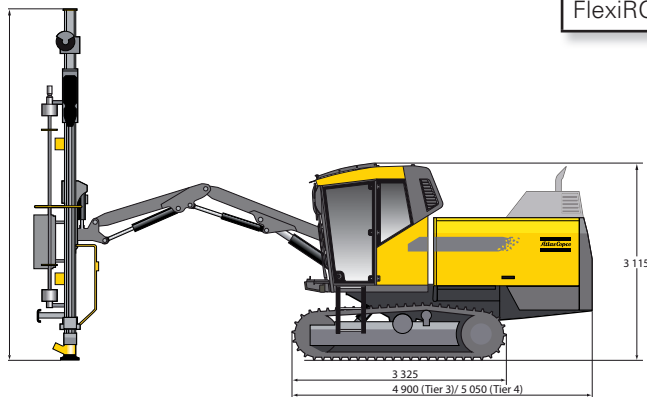
| Height and length | | | | | |
|-------------------|-------------|-----------|--------|-----------|--------|
| Feed dumped 1 | | Tier 3 | | Tier 4 | |
| FlexiROC T35, T40 | Height (H1) | 3 200 mm | 10' 6" | 3 200 mm | 10' 6" |
| FlexiROC T35, T40 | Length (L1) | 11 450 mm | 37' 6" | 11 600 mm | 38' 1" |
| FlexiROC T35 -LF | Height (H1) | 3 250 mm | 10' 8" | 3 250 mm | 10' 8" |
| FlexiROC T35 -LF | Length (L1) | 11 050 mm | 36' 3" | 12 200 mm | 40' |
| Feed dumped 2 | | Tier 3 | | Tier 4 | |
| FlexiROC T35 | Height (H2) | 3 400 mm | 11' 1" | 3 500 mm | 11' 6" |
| FlexiROC T35 | Length (L2) | 10 850 mm | 35' 7" | 11 000 mm | 36' 1" |



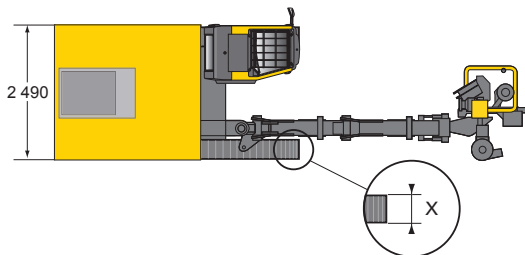
Dimensions and weight

| Feed Height (H1) | | |
|-------------------|----------|--------|
| FlexiROC T35, T40 | 7 140 mm | 23' 5" |
| FlexiROC T35 -LF | 8 240 mm | 27' |

| Weight <i>Standard unit excluding all options and drill steel</i> | | | | |
|---|-----------|-----------|-----------|-----------|
| | Tier 3 | | Tier 4 | |
| FlexiROC T35 | 15 100 kg | 33 290 lb | 15 500 kg | 34 170 lb |
| FlexiROC T40 | 15 100 kg | 33 290 lb | 15 500 kg | 34 170 lb |
| FlexiROC T35 -LF | 14 950 kg | 32 960 lb | 15 350 kg | 33 840 lb |



| Track shoe width (X) | | | |
|--------------------------------|--------|-------|--|
| FlexiROC T35 and T40 with FL 6 | 330 mm | 1' 1" | |



Selection of optional equipment

Carrier

- Track chains with triple grouser pads
- Hydraulic support leg
- Hydraulic winch with towing eye and wire guides, remote controlled
- Diesel engine preheater
- Air flow switch
- High/low air flushing system
- Electric refuelling pump
- Service hand lights inside canopy, 2 pcs
- Xenon work lights, 2 pcs on top of cab pointing forward and 2 pcs on top of cab pointing to the rear
- Combined warning sound and warning light
- ProCom satellite based drill rig monitoring system (only in combination with a written service agreement)

Safety cabin

- Clear laminated glass (front and roof windows)
- Tinted toughened glass (side and rear windows)
- Wiper for right hand side window
- Sun shade kit (rear side and rear windows)
- Cab heating
- Electric heated operator's seat
- Radio/CD

Feed

- Toe hole drilling kit (not for LF version)
- Sleeve retainer for RHS 51
- Jaw set for R32/T38
- Jaw set for T45/T51
- TAC guide tube guides for drill steel support
- TAC 45 mm for 45 mm guide tube
- TAC 56 mm for 56 mm guide tube

- TAC 64 mm for 64 mm guide tube
- TAC 76 mm for 76 mm guide tube

Hole measuring systems

- Laser receiver upgrading kit
- Mechanical hole inclination instrument, ROC-Angie
- GPS compass for parallel holes

Lube oil, lube system and water mist system

- Rock drill oil collecting system (standard on D9)
- Central lubrication system, type Lincoln
- Thread greasing device ECG (with oil)
- Thread greasing device, brush type (with grease)
- Arctic hydraulic oil, VG 32
- Tropical hydraulic oil, VG 68
- Biological hydraulic oil, VG 46
- Water mist system, 120 l water

tank

- Water mist system, excluding tank

Dust control

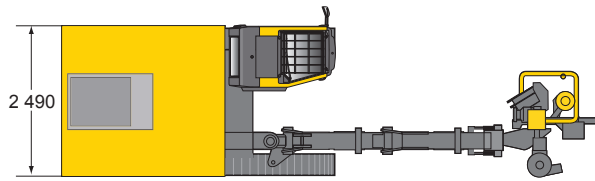
- Dust pre-separator (standard on FlexiROC T40)
- Rubber disc for DCT
- Rubber skirt for DCT

Delivered equipment, not mounted

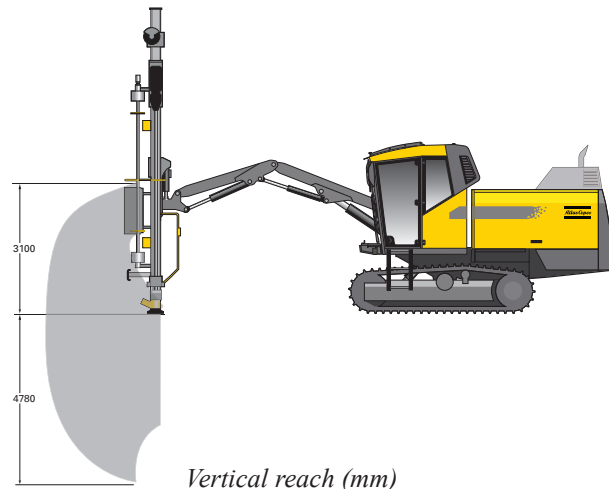
- Gas charging equipment for rock drill
- First 50 hours service kit for compressor
- Conversion kit R38/T38 (not for FlexiROC T40)
- Conversion kit T45
- Conversion kit T51

Coverage areas

FlexiROC T35, T40 and T35 -LF

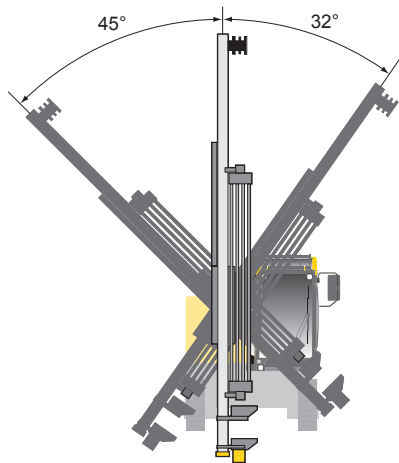


Horizontal reach (mm)

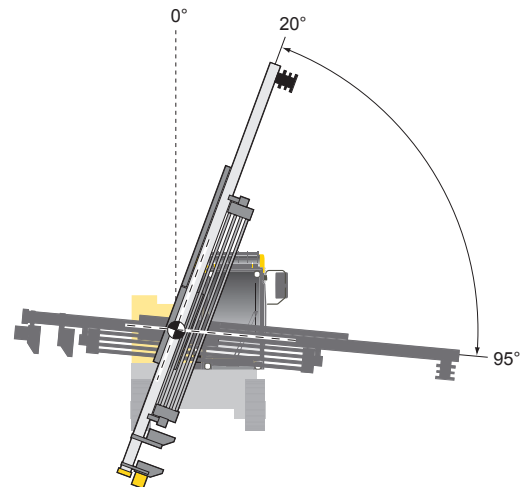


Vertical reach (mm)

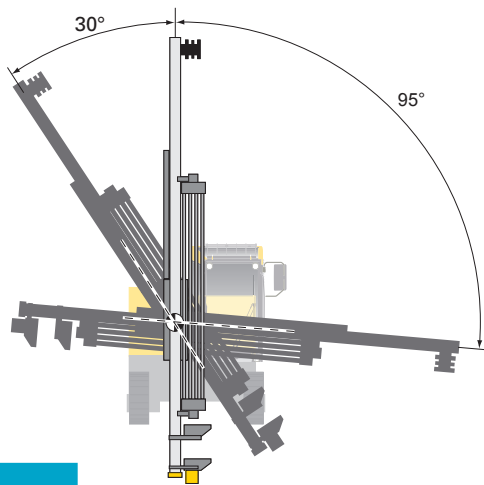
Feed swing angles



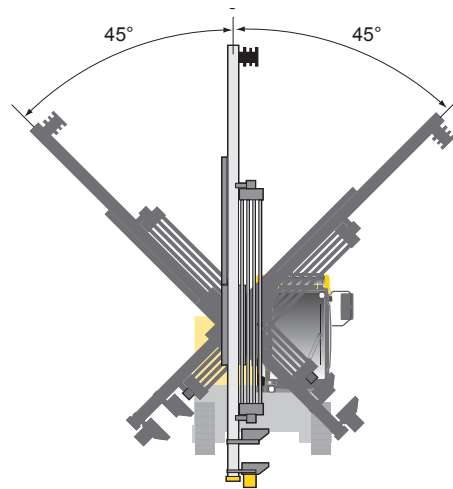
Feed without toe-hole kit



Feed without toe-hole kit but after reconnection for horizontal feed



Feed with toe-hole kit (optional)



FlexiROC T35 -LF



© Copyright 2011 Atlas Copco Rock Drills AB, Örebro, Sweden. All product names in this publication are trademarks of Atlas Copco. Any unauthorised use or copying of the contents or any part thereof is prohibited. This applies in particular to trademarks, model denominations, part numbers and drawings. Illustrations and photos in this brochure may show equipment with optional extras. Specifications and equipment subject to change without notice. Consult your Atlas Copco Customer Center for specific information.